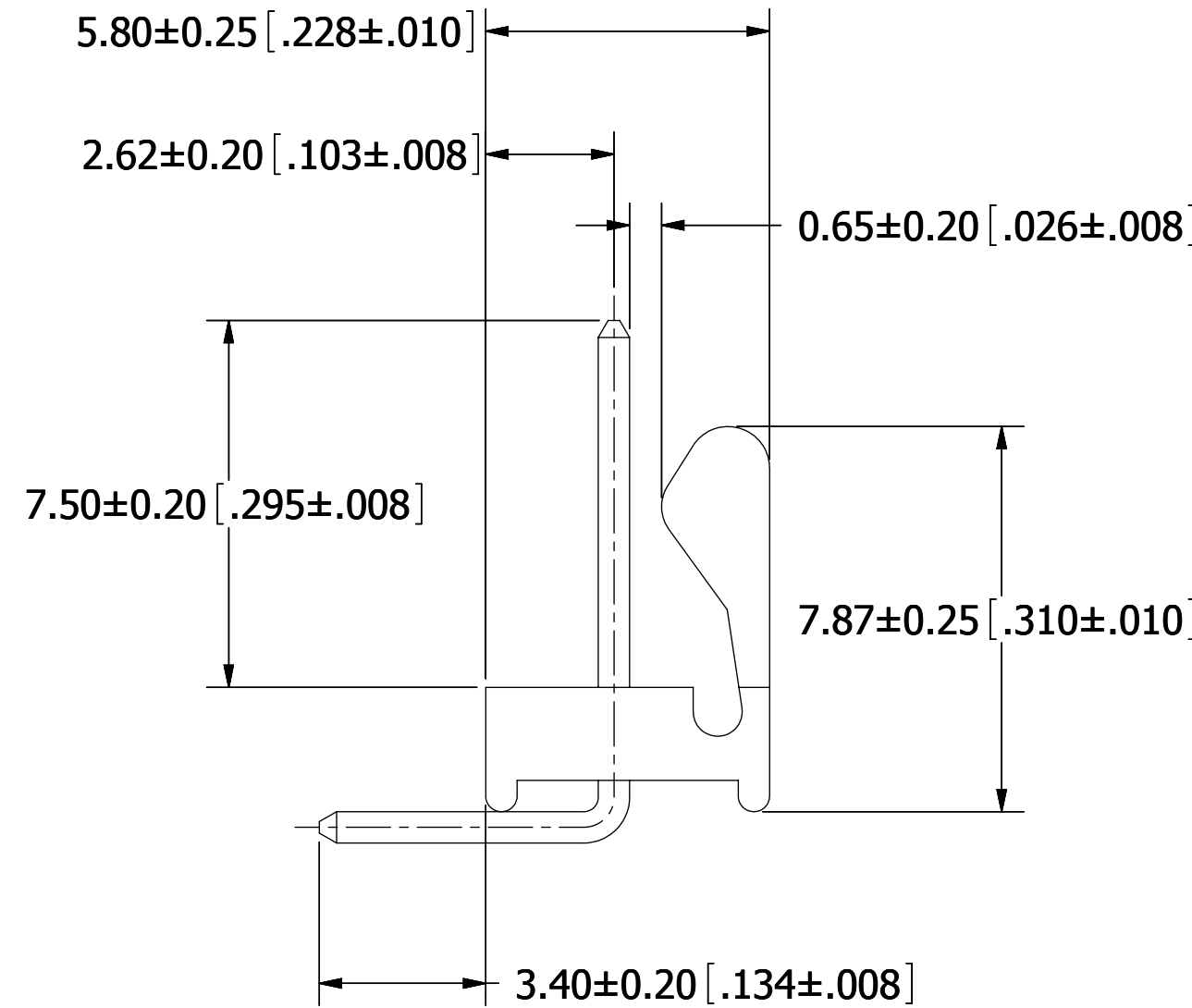
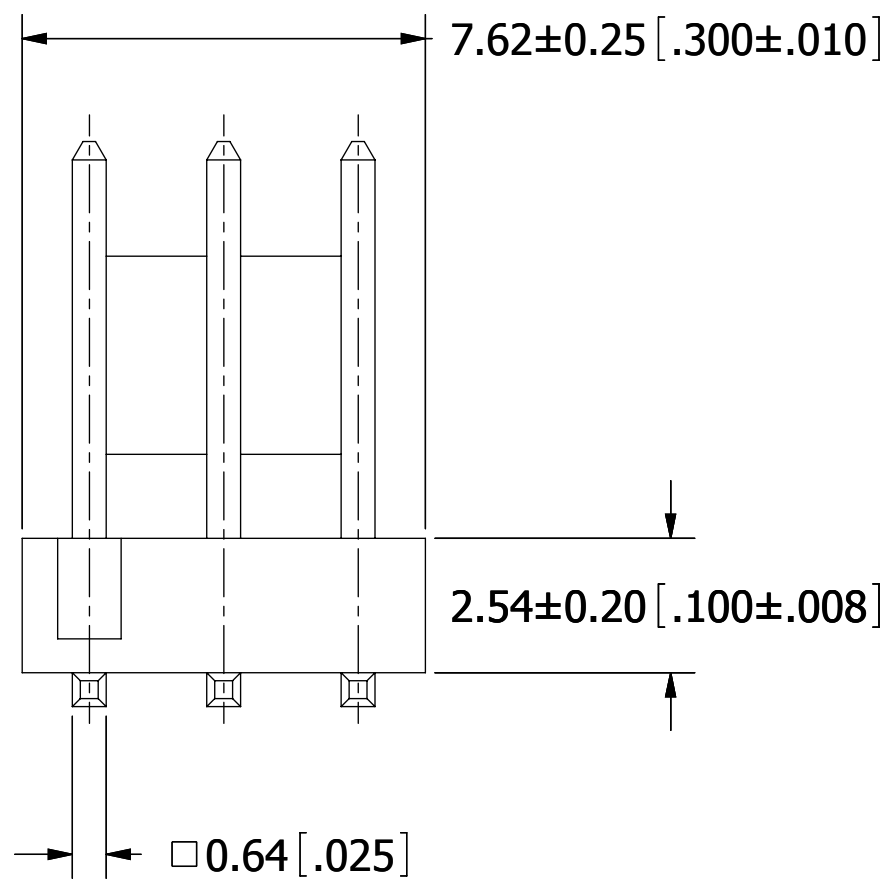
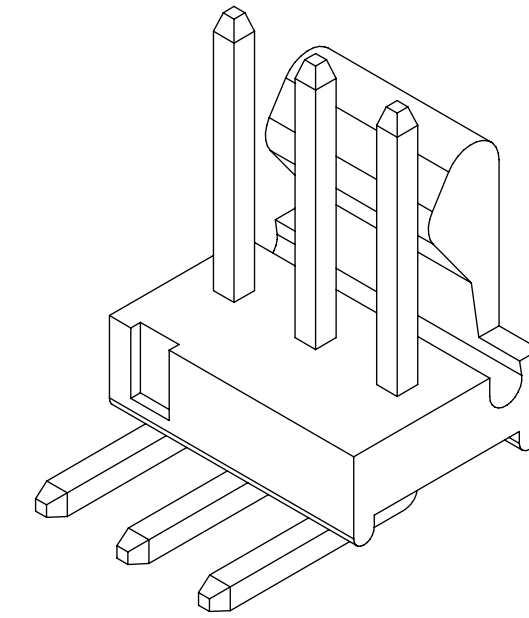
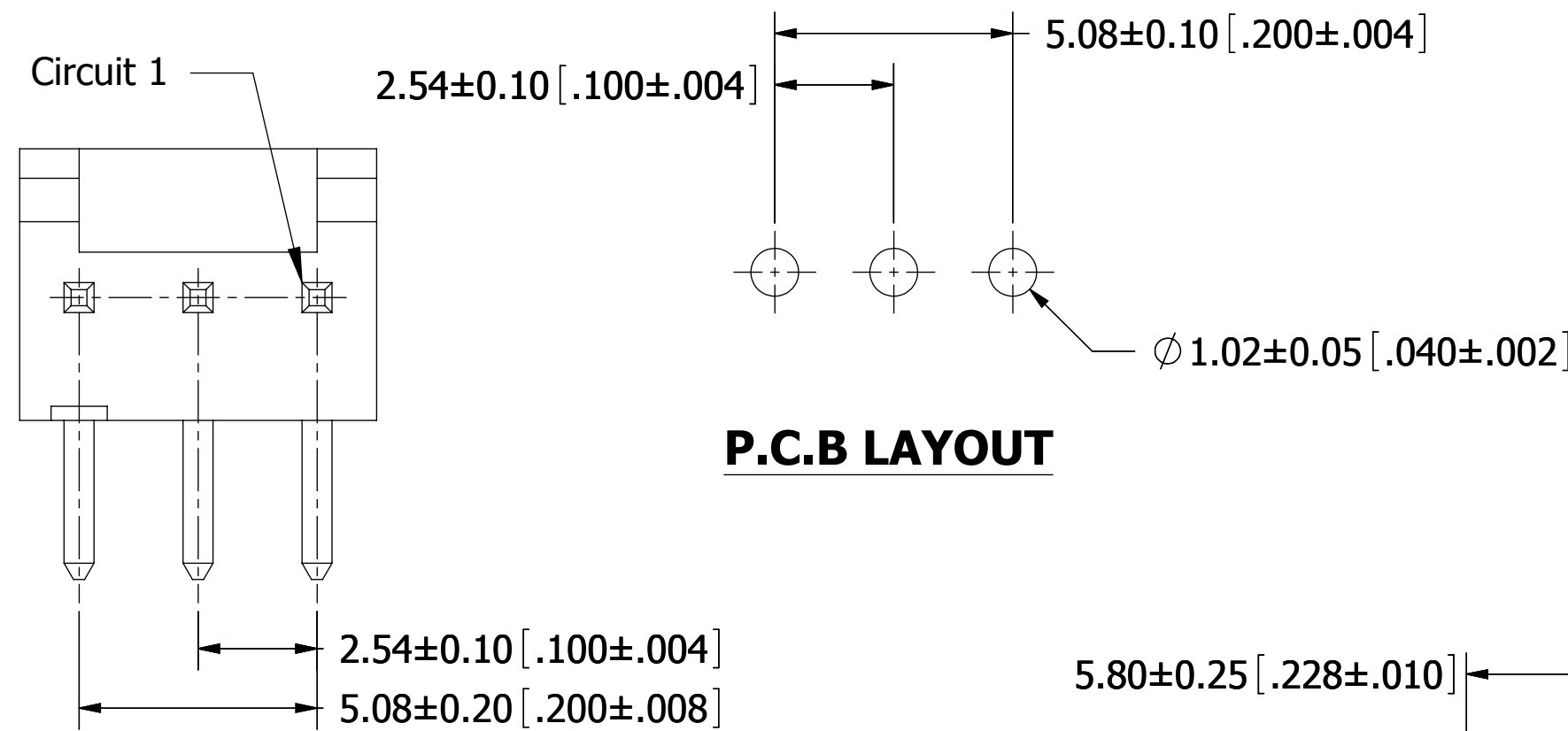


# PART NUMBER CODING

## SWR25B-NREC-S03-RA-WH

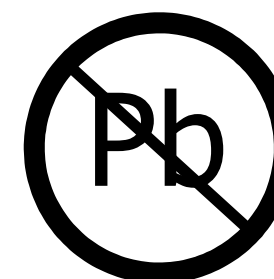
REVISIONS				
REV.	ECO. NO	DESCRIPTION	DATE	BY
A	2006	INITIAL RELEASE	9/17/09	JH

**NUMBER OF POSITIONS**  
(CONTACTS PER ROW)



### NOTES:

1. INSULATOR MATERIAL: NYLON66, UL94V-0, COLOR: WHITE.
2. CONTACT MATERIAL: BRASS.
3. CONTACT PLATING: TIN OVERALL.
4. CURRENT RATING: 4 AMPS.
5. VOLTAGE RATING: 250V AC/DC.
6. INSULATOR RESISTANCE: 1000 MEGOHMS MIN.
7. CONTACT RESISTANCE: 10 MILLIOHMS MAX.
8. DIELECTRIC WITHSTANDING VOLTAGE: 1000V AC.
9. OPERATING TEMPERATURE: -25° C TO +85° C.
10. MATES WITH SWH25B SERIES SINGLE ROW HOUSING.



RoHS COMPLIANT

UNLESS OTHERWISE SPECIFIED:  
DIMENSIONS ARE IN MM(INCHES)  
TOLERANCES:  
ANGULAR: ± 5°  
.X= ± .3 [.01]  
.XX= ± .15 [.006]  
.XXX= ± .050 [.0020]  
SURFACE FINISH: 63 R<sub>a</sub>  
REMOVE ALL BURRS AND SHARP EDGES .010 MAX

INTERPRET DIMENSIONS AND GEOMETRIC TOLERANCING PER: ANSI Y14.5M-1994

DRAWN	DATE	NAME
JH	9/17/09	JH

THE INFORMATION HEREIN CONTAINS PROPRIETARY INFORMATION OF SULLINS ELECTRONICS AND IS NOT TO BE REPRODUCED, USED OR DISCLOSED TO OTHERS FOR ANY PURPOSE EXCEPT AS SPECIFICALLY AUTHORIZED IN WRITING BY AN OFFICER OF SULLINS ELECTRONICS.

DESCRIPTION WAFER 2.54mm CC, 1 ROW, RA	
PART NUMBER SWR25B-NREC-S03-RA-WH	
SIZE <b>C</b>	DWG. NO. 11320
SCALE: 7:1	REV <b>A</b>
SHEET 1 OF 1	