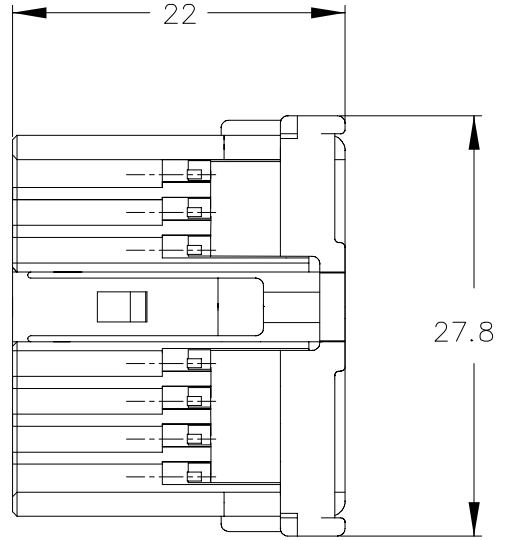
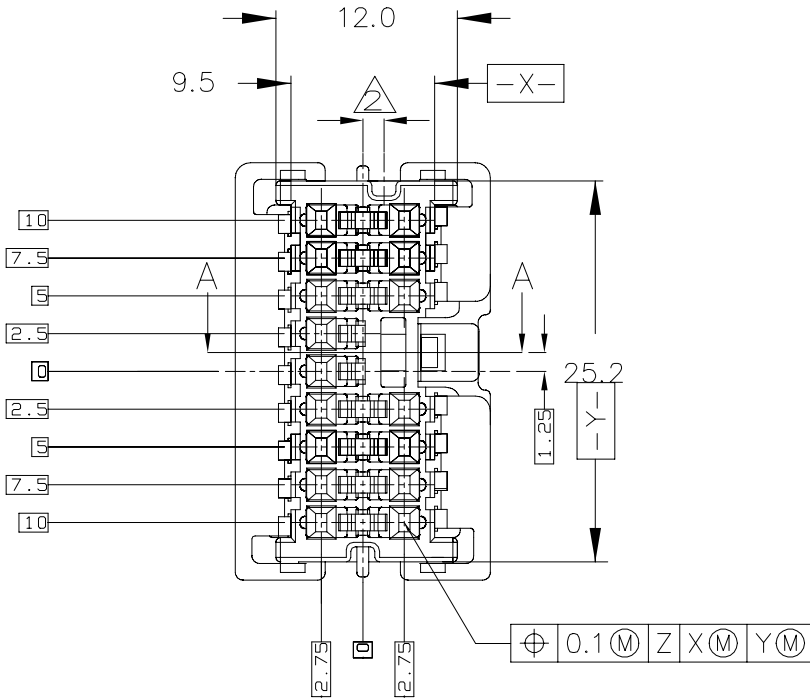
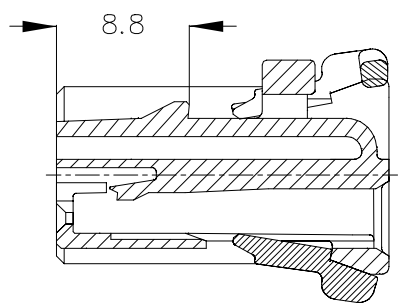


| REVISIONS | | | | | |
|-----------|-----|-----------------------|-----------|-----|------|
| P | LTR | DESCRIPTION | DATE | DWN | APVD |
| B1 | | REVISED ECR-20-006447 | 17JUL2020 | VI | SPB |

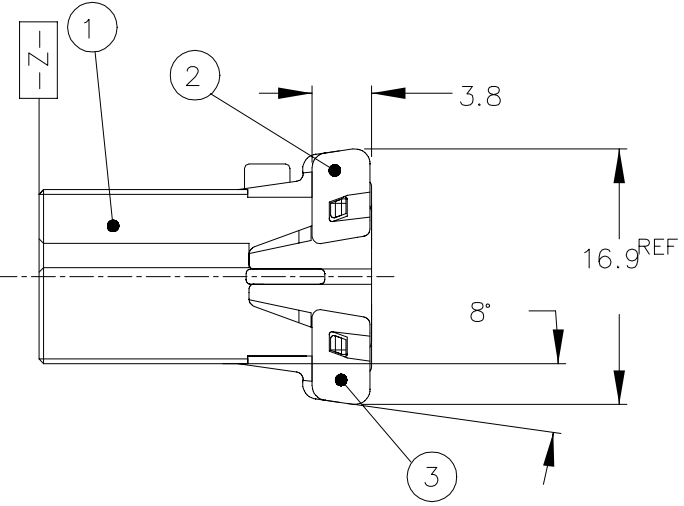


NOTES:
 1. PLATE MUST BE COMPLETELY PRE-ASSEMBLED
 2. KEY CODE : REFER TO THE TABLE
 3. APPLICABLE CONTACT P/N: 316836-1, 316838-1
 4. THE MATING HSG P/N ; 936497

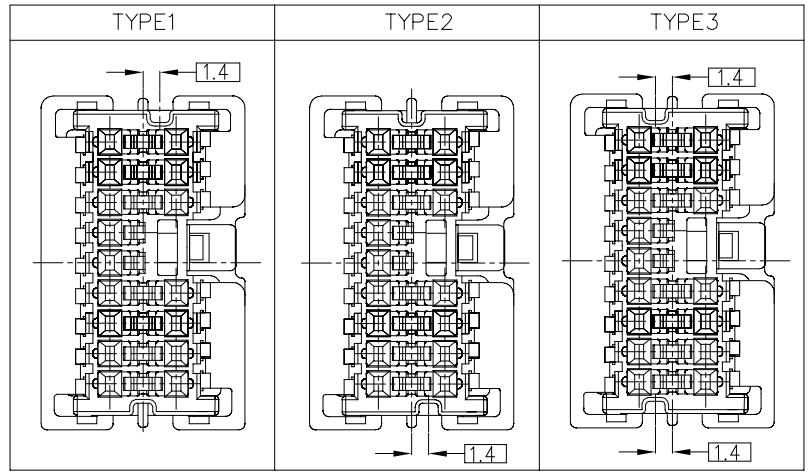
주 기
 1. PLATE는 그림과 같이 1차 locking 상태로 공급되어짐.
 2. KEY CODE : TABLE 참조
 3. 적용 TML P/N: 316836-1, 316838-1
 4. 상대하우징 P/N ; 936497



SECTION A-A



< KEY CODE >



TOLERANCES UNLESS OTHERWISE SPECIFIED:
 0 <XX<10 ± 0.2
 10<XX<30 ± 0.25
 30<XX ± 0.3
 ANGLES ± 3'

OBSOLETE

| ITEM NO | PARTS NO | MATERIAL | NAME | FINISH/COLOR | KEY CODE | Q'TY of ASS'Y | | | | | | | | |
|----------|----------|----------|-------------------------|--------------|----------|---------------|----------|----------|----------|----------|----------|----------|----------|---|
| | | | | | | 936471-8 | 936471-7 | 936471-6 | 936471-5 | 936471-4 | 936471-3 | 936471-2 | 936471-1 | |
| ③ | 936491-2 | | 16Pos.DBL LOCK PLATE(A) | BLACK | - | 1 | 1 | 1 | 1 | 1 | 1 | 1 | 1 | 1 |
| ② | 936492-2 | | 16Pos.DBL LOCK PLATE(B) | BLACK | - | 1 | 1 | 1 | 1 | 1 | 1 | 1 | 1 | 1 |
| ① | 936472-8 | | | BLUE | 1 | 1 | - | - | - | - | - | - | - | - |
| | 936472-7 | | | GREEN | 1 | - | 1 | - | - | - | - | - | - | - |
| | 936472-6 | | | RED | 1 | - | - | 1 | - | - | - | - | - | - |
| | 936472-5 | | | YELLOW | 1 | - | - | - | 1 | - | - | - | - | - |
| | 936472-4 | | | BROWN | 2 | Ⓐ | - | - | - | 1 | - | - | - | - |
| | 936472-3 | | | GRAY | 3 | Ⓐ | - | - | - | - | 1 | - | - | - |
| | 936472-2 | | | BLACK | 1 | - | - | - | - | - | - | 1 | - | - |
| 936472-1 | PBT | | 16Pos.PLUG HSG | NATURAL | 1 | - | - | - | - | - | - | - | 1 | |

THIS DRAWING IS A CONTROLLED DOCUMENT.

| | | | |
|-------------------|---|---|--|
| DIMENSIONS: mm | TOLERANCES UNLESS OTHERWISE SPECIFIED: 0 PLC ± - 1 PLC ± - 2 PLC ± - 3 PLC ± - 4 PLC ± - ANGLES ± - | DWN IS WOO CHK BM JANG APVD JK SONG PRODUCT SPEC APPLICATION SPEC WEIGHT 0 | TE Connectivity NAME 16Pos. PLUG HOUSING ASS'Y 040 III MLC CONN. SIZE A3 CAGE CODE 00779 DRAWING NO C-936471 RESTRICTED TO - |
| MATERIAL SEE NOTE | FINISH - | CUSTOMER DRAWING | SCALE 1:1 SHEET 1 of 1 REV B1 |