

PAGE 1/2

ISSUE 25-11-22

SERIE : SPnT

PART NUMBER : R574F02610

RF CHARACTERISTICS

Number of ways : **6**
 Frequency range : **0 - 26.5 GHz**
 Impedance : **50 Ohms**

| Frequency (GHz) | DC - 3 | 3 - 8 | 8 - 12.4 | 12.4 - 18 | 18-26.5 |
|--------------------|----------------|----------------|----------------|----------------|----------------|
| VSWR max | 1,20 | 1,30 | 1,40 | 1,50 | 1,70 |
| Insertion loss max | 0.20 dB | 0.30 dB | 0.40 dB | 0.50 dB | 0.70 dB |
| Isolation min | 80 dB | 70 dB | 60 dB | 60 dB | 50 dB |
| Average power (*) | 240 W | 150 W | 120 W | 100 W | 40 W |

TERMINATION IMPEDANCE : **50 Ohms**
 TERM. AVG. POWER AT 25° C : **1 W per termination / 3 W total power**

ELECTRICAL CHARACTERISTICS

Actuator : **NORMALLY OPEN**
 Nominal current ** : **250 mA**
 Actuator voltage (Vcc) : **12V (10.2 to 13V) / POSITIVE COMMON**
 Terminals : **solder pins (250°C max. / 30 sec.)**

MECHANICAL CHARACTERISTICS

Connectors : **SMA female per MIL-C 39012**
 Life : **3 million cycles per position**
 Switching Time*** : **< 15 ms**
 Construction : **Splashproof**
 Weight : **< 250 g**

ENVIRONMENTAL CHARACTERISTICS

Operating temperature range : **-40°C to +85°C**
 Storage temperature range : **-55°C to +85°C**

(* Average power at 25°C per RF Path)
 (** At 25° C ±10%)
 (***) Nominal voltage ; 25° C)



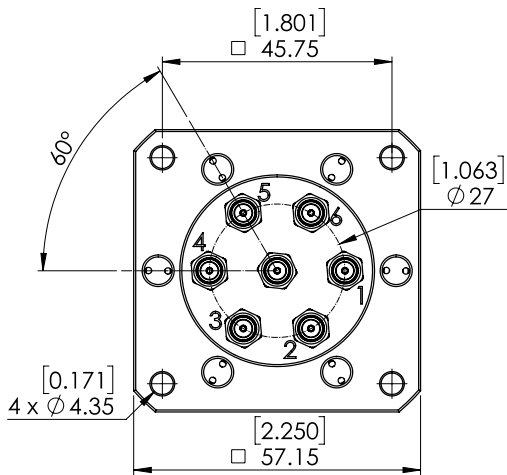
PAGE 2/2

ISSUE 25-11-22

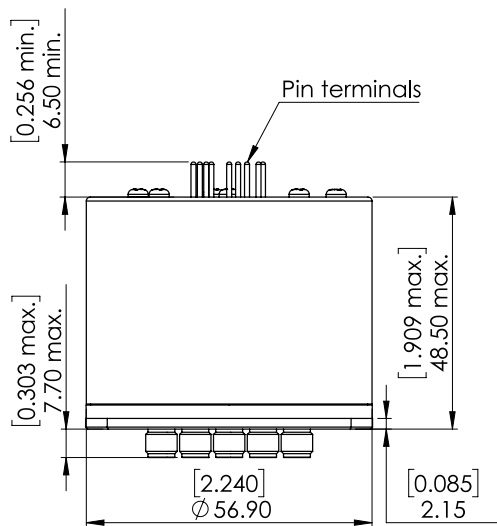
SERIE : SPnT

PART NUMBER : R574F02610

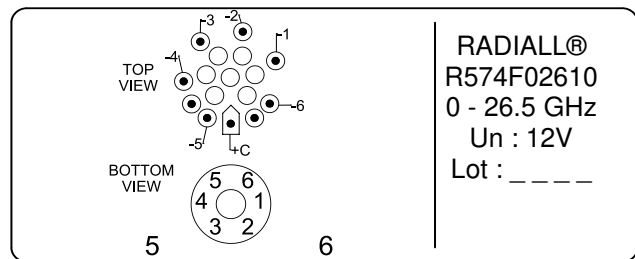
DRAWING



| Voltage | RF Continuity |
|---------|---------------|
| +C -1 | IN ↔ 1 |
| +C -2 | IN ↔ 2 |
| +C -3 | IN ↔ 3 |
| +C -4 | IN ↔ 4 |
| +C -5 | IN ↔ 5 |
| +C -6 | IN ↔ 6 |



LABEL



General tolerances : ±0,5 mm [0,02 in]

SCHEMATIC DIAGRAM

