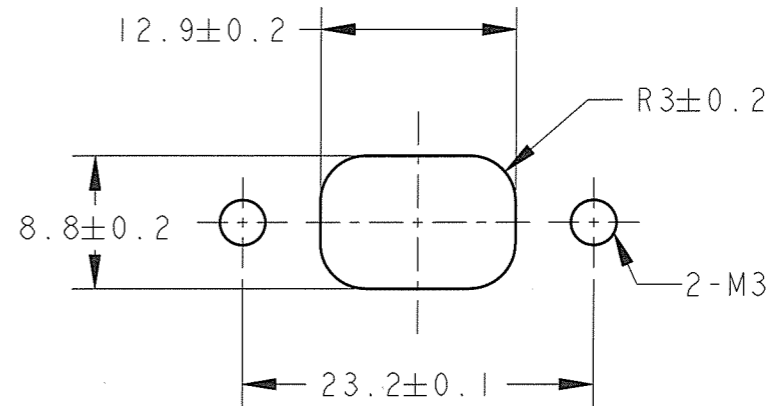
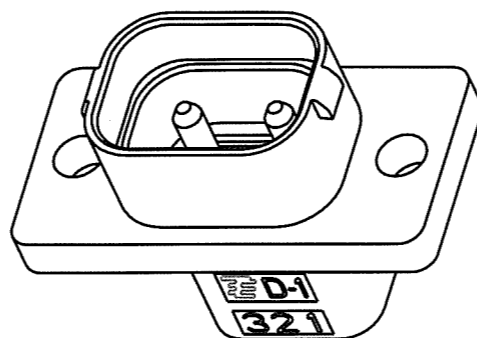
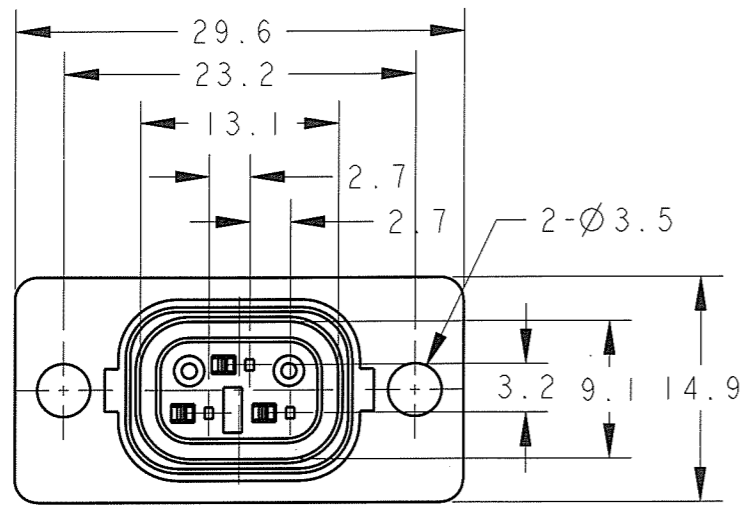
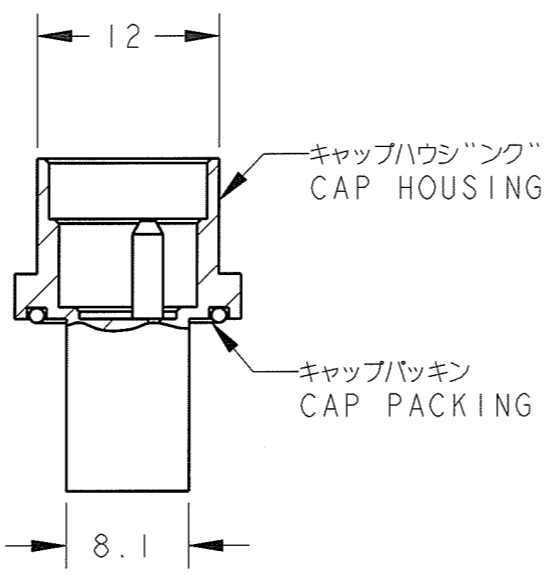
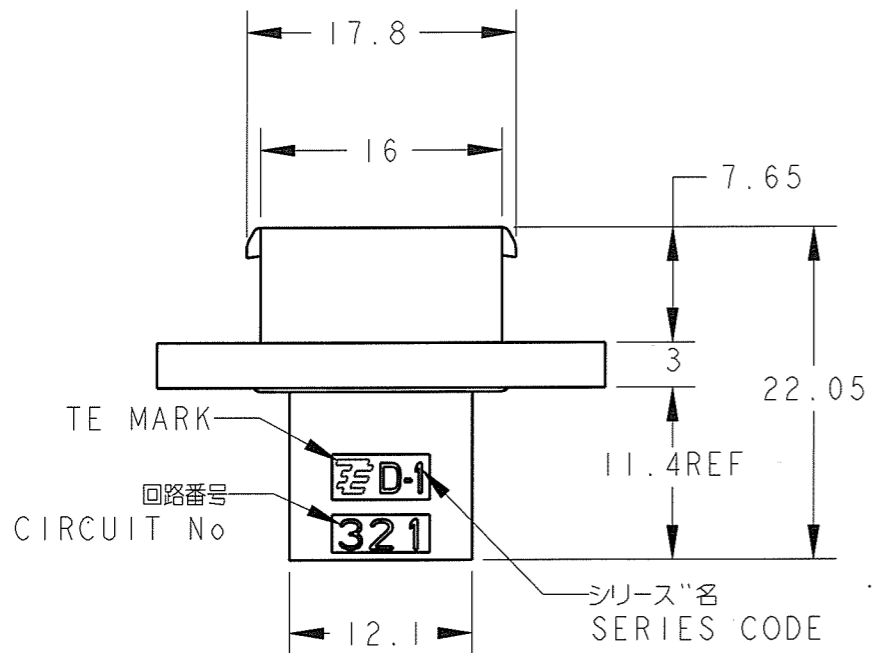


LOC	DIST	REVISIONS					
		P	LTR	DESCRIPTION	DATE	DWN	APVD
J	-		A	RELEASED	03DEC2008	T.S	A.O

AS SHOWN: 2013892-1

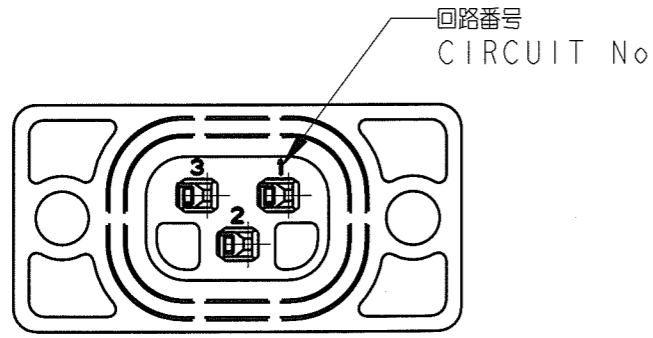


ハ°ネル加工推奨寸法図  
 RECOMMEND PANEL LAYOUT



- 注記
- 材料: キャップハウジング: 熱可塑性ポリエステル樹脂 黒色  
 : キャップパッキン: シリコン 色: 黒色
  - 嵌合相手型番: フラックハウジング 3P P/No 2013891-1

- NOTES
- MATERIAL  
 : CAP HOUSING: GLASS FIELD THERMO PLASTIC POLYESTER, COLOR: BLACK  
 : CAP PACKING: SILICON, COLOR: BLACK
  - MATING CONN: PLUG HSG 3P P/No 2013891-1



THIS DRAWING IS A CONTROLLED DOCUMENT FOR TYCO ELECTRONICS CORPORATION IT IS SUBJECT TO CHANGE AND THE CONTROLLING ENGINEERING ORGANIZATION SHOULD BE CONTACTED FOR THE LATEST REVISION.		DWN T. Sakamoto 03DEC2008	Tyco Electronics Tyco Electronics Corporation Kawasaki, Japan	
DIMENSIONS: mm	TOLERANCES UNLESS OTHERWISE SPECIFIED: 0 PLC ± 1 PLC ± ±0.3 2 PLC ± ±3° 3 PLC ± ± 4 PLC ± ± ANGLES ±	CHK A. Ooishi 03DEC2008	NAME CAP HSG 3P ASSY FAN MOTOR CONNECTOR <DYNAMIC D-1 WATERPROOF>	
		APVD A. Ooishi 03DEC2008	PRODUCT SPEC 108-78519	RESTRICTED TO
MATERIAL	FINISH	APPLICATION SPEC 114-5377	SIZE A3	CAGE CODE 00779
		WEIGHT	DRAWING NO C=2013892	REV A
CUSTOMER DRAWING			SCALE 2:1	SHEET 1 OF 1