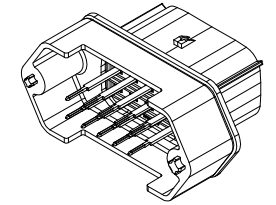
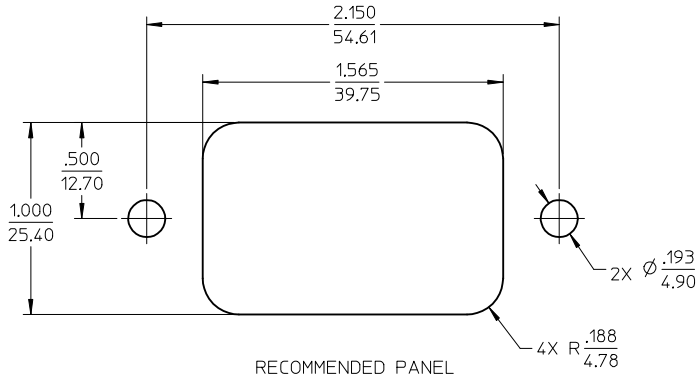
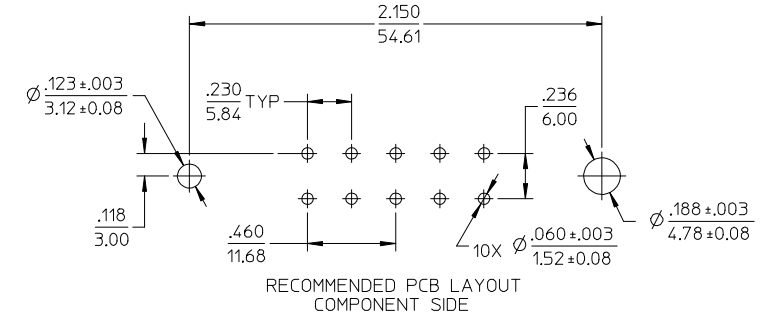
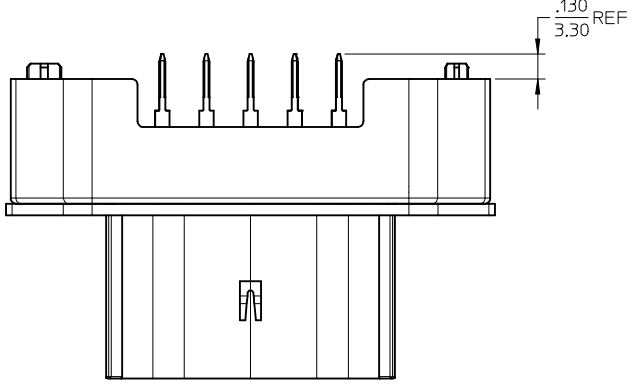


ASSEMBLY MATERIAL NUMBER	TERMINAL PLATING
194280005	TIN
194280022	TIN/GOLD

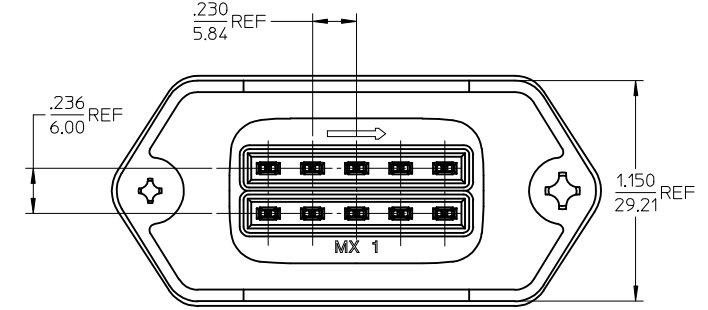
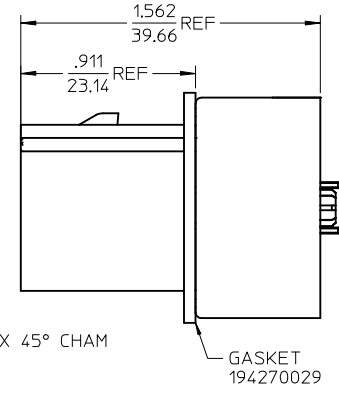
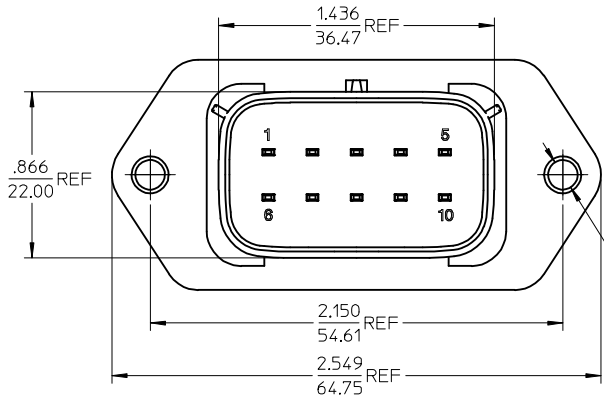


ASSEMBLED VIEW
SCALE 1:1

RECOMMENDED PANEL
MOUNT OPENING
MAX PANEL THK .080/2.03



RECOMMENDED PCB LAYOUT
COMPONENT SIDE



NOTES:

- MATERIALS:
HOUSING: POLYESTER (PBT), GLASS FILLED, UL94 V-0,
COLOR: BLACK
TERMINALS: COPPER ALLOY
- FINISHES: 1. TIN ONLY: 100MN TIN OVER 50MN NICKEL
2. TIN/GOLD: 30MN SELECT GOLD (CONTACT MATING AREA),
100MN SELECT TIN (PCB TAIL AREA) OVER 50MN NICKEL OVERALL.
- PRODUCT SPECIFICATION: PS-19428-001.
- PACKAGING SPECIFICATION: PK-19428-001.
- MATES WITH: 19418 SERIES RECEPTACLE ASSEMBLIES.
- RECOMMENDED MOUNTING HARDWARE: (2)#10 X .62/18.9 LONG PLASTIC
THREAD CUTTING SCREWS. RECOMMENDED TORQUE 15-17 IN-LBS.
SUGGESTED SOURCE: ITW SHAKEPROOF INDUSTRIAL BOSSCREW OR EQUIVALENT.

REVISED EC NO: ETC2006-0028 DRWN:JPWLICK 2005/10/10 CHKD:JPWLICK 2005/10/11 APPR:RDEROSS 2005/10/11	DESCRIPTION	QUALITY SYMBOLS	GENERAL TOLERANCES (UNLESS SPECIFIED)	DIMENSION STYLE		SCALE	DESIGN UNITS	THIRD ANGLE PROJECTION
		▽=0 ▽=0		IN/MM	2:1	INCH		
B	REV	DESCRIPTION	4 PLACES ± --- ± ---	DRAWN BY	DATE	TITLE 10-WAY STRAIGHT HEADER ASSEMBLY, LONG VERSION		SHEET NO. 1 OF 1
			3 PLACES ± --- ± .015	DMYRICK	04/07/06			
C	REV	DESCRIPTION	2 PLACES ± 0.38 ± ---	CHECKED BY	DATE	MOLEX INCORPORATED		DOCUMENT NO. SD-19428-014
			1 PLACE ± --- ± ---	JPWLICK	04/07/06			
			ANGULAR ± 1 °	APPROVED BY	DATE			
			DRAFT WHERE APPLICABLE MUST REMAIN WITHIN DIMENSIONS	RDEROSS	04/07/06			
				MATERIAL NO. SEE CHART				
				SIZE				
				THIS DRAWING CONTAINS INFORMATION THAT IS PROPRIETARY TO MOLEX INCORPORATED AND SHOULD NOT BE USED WITHOUT WRITTEN PERMISSION				