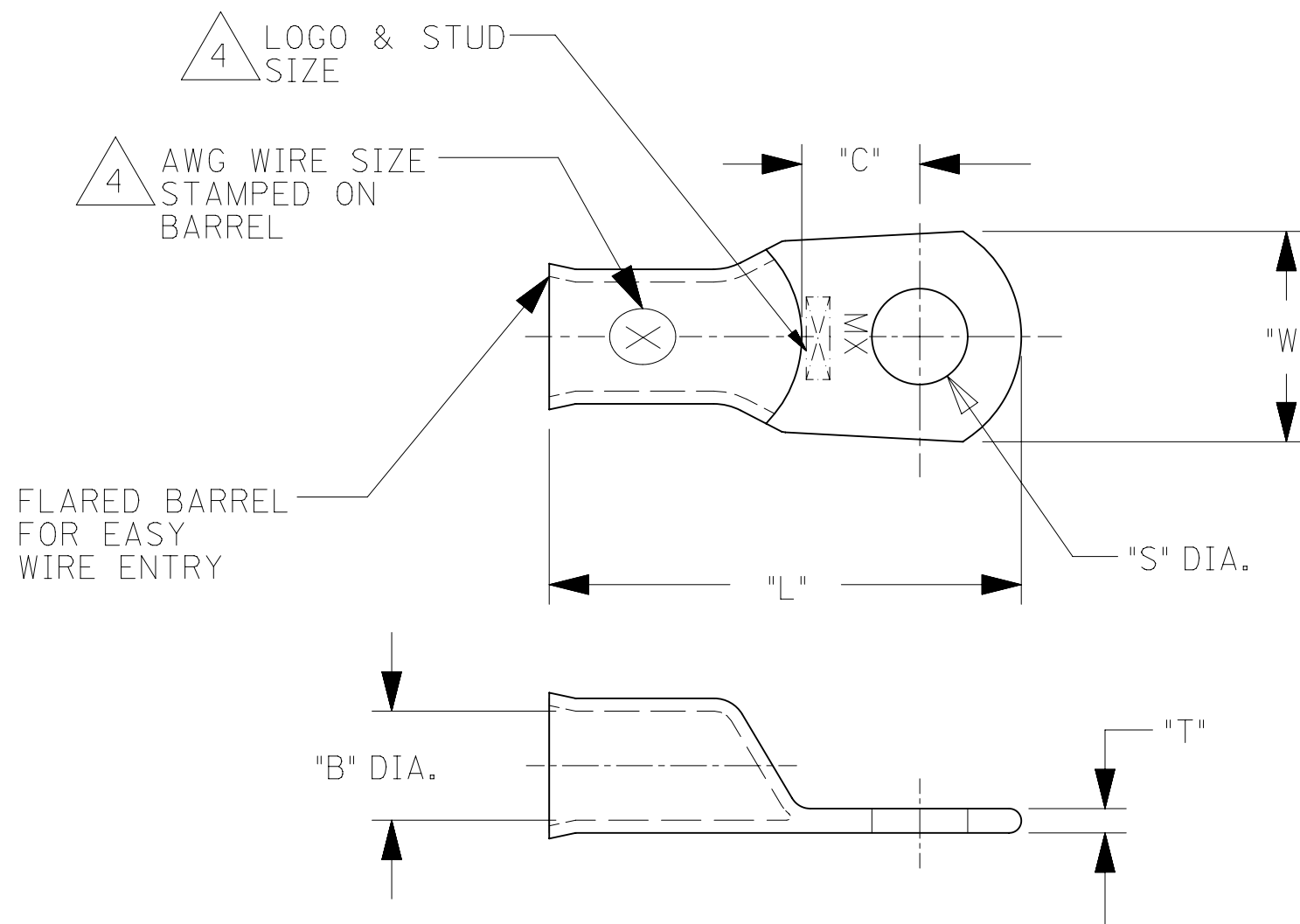


| UNPLATED MATERIAL NUMBER | UNPLATED ENG. NUMBER | PLATED MATERIAL NUMBER | PLATED ENGINEERING NUMBER | STUD SIZE | AWG WIRE RANGE | "S" ±.015/(0.38) | "L" ±.100/(2.54) | "W" ±.035/(0.89) | "C" ±.050/(1.27) | "B" ±.020/(0.51) | "T" ±.020/(0.50) |
|--------------------------|----------------------|------------------------|---------------------------|------------------|----------------|---------------------|----------------------|---------------------|---------------------|---------------------|---------------------|
| 192210423 | BCL-1014 | 192210422 | BCL-1014-PL | 1/4/(6.4) | 1/0 | .278/(7.06) | 1.844/(46.84) | .728/(18.49) | .460/(11.68) | .400/(10.16) | .110/(2.80) |
| 192210394 | BCL-10516 | 192210240 | BCL-10516-PL | 5/16/(7.9) | 1/0 | .340/(8.64) | 1.844/(46.84) | .728/(18.49) | .460/(11.68) | .400/(10.16) | .110/(2.80) |
| 192210377 | BCL-1038 | 192210241 | BCL-1038-PL | 3/8/(9.5) | 1/0 | .400/(10.16) | 1.844/(46.84) | .728/(18.49) | .460/(11.68) | .400/(10.16) | .110/(2.80) |
| 192210393 | BCL-1012 | 192210242 | BCL-1012-PL | 1/2/(12.7) | 1/0 | .520/(13.21) | 1.844/(46.84) | .728/(18.49) | .460/(11.68) | .400/(10.16) | .110/(2.80) |
| 192210249 | BCL-2014 | 192210234 | BCL-2014-PL | 1/4/(6.4) | 2/0 | .278/(7.06) | 2.062/(52.37) | .824/(20.93) | .522/(13.26) | .461/(11.71) | .110/(2.80) |
| 192210398 | BCL-20516 | 192210243 | BCL-20516-PL | 5/16/(7.9) | 2/0 | .340/(8.64) | 2.062/(52.37) | .824/(20.93) | .522/(13.26) | .461/(11.71) | .110/(2.80) |
| 192210379 | BCL-2038 | 192210244 | BCL-2038-PL | 3/8/(9.5) | 2/0 | .400/(10.16) | 2.062/(52.37) | .824/(20.93) | .522/(13.26) | .461/(11.71) | .110/(2.80) |
| 192210397 | BCL-2012 | 192210245 | BCL-2012-PL | 1/2/(12.7) | 2/0 | .520/(13.21) | 2.062/(52.37) | .824/(20.93) | .522/(13.26) | .461/(11.71) | .110/(2.80) |
| 192210597 | BCL-2058 | 192210598 | BCL-2058-PL | 5/8/(15.9) | 2/0 | .656/(16.66) | 2.062/(52.37) | .824/(20.93) | .522/(13.26) | .461/(11.71) | .110/(2.80) |
| 192210478 | BCL-3014 | 192210570 | BCL-3014-PL | 1/4/(6.4) | 3/0 | .278/(7.06) | 2.156/(54.76) | .916/(23.27) | .501/(12.73) | .511/(12.93) | .115/(2.92) |
| 192210402 | BCL-30516 | 192210246 | BCL-30516-PL | 5/16/(7.9) | 3/0 | .340/(8.64) | 2.156/(54.76) | .916/(23.27) | .501/(12.73) | .511/(12.93) | .115/(2.92) |
| 192210381 | BCL-3038 | 192210247 | BCL-3038-PL | 3/8/(9.5) | 3/0 | .400/(10.16) | 2.156/(54.76) | .916/(23.27) | .501/(12.73) | .511/(12.93) | .115/(2.92) |
| 192210401 | BCL-3012 | 192210248 | BCL-3012-PL | 1/2/(12.7) | 3/0 | .520/(13.21) | 2.156/(54.76) | .916/(23.27) | .501/(12.73) | .511/(12.93) | .115/(2.92) |
| 192210413 | BCL-40516 | 192210412 | BCL-40516-PL | 5/16/(7.9) | 4/0 | .340/(8.63) | 2.344/(59.54) | .999/(25.37) | .550/(13.97) | .559/(14.20) | .135/(3.43) |
| 192210382 | BCL-4038 | 192210250 | BCL-4038-PL | 3/8/(9.5) | 4/0 | .400/(10.16) | 2.344/(59.54) | .999/(25.37) | .550/(13.97) | .559/(14.20) | .135/(3.43) |
| 192210403 | BCL-4012 | 192210251 | BCL-4012-PL | 1/2/(12.7) | 4/0 | .520/(13.21) | 2.344/(59.54) | .999/(25.37) | .550/(13.97) | .559/(14.20) | .135/(3.43) |
| 192210652 | BCL-4014 | 192210648 | BCL-4014-PL | 1/4/(6.4) | 4/0 | .278/(7.061) | 2.344/(59.54) | .984/(24.99) | .550/(13.97) | .559/(13.97) | .135/(3.43) |
| - | - | 192210847 | BCL-1010MM-PL | 10mm | 1/0 | .417/(10.59) | 1.844/(46.84) | .728/(18.49) | .460/(11.86) | .400/(10.16) | .110/(2.80) |
| - | - | 192210848 | BCL-2010MM-PL | 10mm | 2/0 | .417/(10.59) | 2.062/(52.37) | .824/(20.93) | .522/(13.26) | .461/(11.71) | .110/(2.80) |
| - | - | 192210862 | BCL-3010MM-PL | 10mm | 3/0 | .417/(10.59) | 2.156/(54.76) | .916/(23.273) | .501/(12.73) | .511/(12.93) | .115/(2.92) |



- NOTE:**
- FOR INSPECTION SIGHT HOLE, PLEASE CONSULT FACTORY.
 - OTHER STUD SIZES MAY BE AVAILABLE, PLEASE CONSULT FACTORY.
 - MATERIAL: COPPER
PLATING: TIN
 - MARKINGS CAN BE AT EITHER LOCATION SHOWN.
 - IF TONGUE IS TO BE BENT AT ANY ANGLE, IT MUST BE BENT AROUND A RADIUS ONE HALF THE TONGUE THICKNESS.

J1

| | | | | | | | | | | | |
|---|--|---------------------|--|--|--|--------------------------|--|---|--|--------------------------|--|
| THIS DRAWING CONTAINS INFORMATION THAT IS PROPRIETARY TO MOLEX ELECTRONIC TECHNOLOGIES, LLC AND SHOULD NOT BE USED WITHOUT WRITTEN PERMISSION | | | | | | | | | | | |
| DIMENSION UNITS IN/MM | | SCALE NTS | | CURRENT REV DESC: OBSOLETE PART NUMBERS AS PER PCN#510807. | | | | | | molex | |
| GENERAL TOLERANCES (UNLESS SPECIFIED) | | | | EC NO: 726454 | | 2022/09/28 | | BATTERY CABLE LUG COPPER TERMINALS 1/0, 2/0, 3/0 & 4/0 | | | |
| 4 PLACES ± | | ± | | DRWN: LIKITV | | 2022/11/30 | | | | PRODUCT CUSTOMER DRAWING | |
| 3 PLACES ± | | ± 0.005 | | CHK'D: GGA | | 2022/11/30 | | DOCUMENT NUMBER SD-19221-011 | | | |
| 2 PLACES ± | | 0.13 ± 0.01 | | APPR: GGA | | 2022/11/30 | | | | DOC TYPE PSD | |
| 1 PLACE ± | | 0.25 ± | | INITIAL REVISION: | | | | DOC PART 001 | | | |
| 0 PLACES ± | | ± | | DRWN: BRE | | 2002/06/24 | | | | REVISION J2 | |
| ANGULAR TOL ± ° | | ° | | APPR: RWD | | 2002/06/24 | | MATERIAL NUMBER SEE TABLE | | | |
| DRAFT WHERE APPLICABLE MUST REMAIN WITHIN DIMENSIONS | | | | THIRD ANGLE PROJECTION | | DRAWING C-SIZE | | | | SERIES 19221 | |
| DOCUMENT STATUS P1 | | | | RELEASE DATE 2022/11/30 11:33:18 | | | | SHEET NUMBER 1 OF 1 | | | |