

Raychem Corporation
 300 Constitution Drive
 Menlo Park, CA 94025
 800-227-4856
 FAX 800-227-4866

Raychem
PolySwitch®
PTC Devices
 Overcurrent Protection Device

PRODUCT: miniSMDE190

DOCUMENT: SCD 24043
 PCN: 676869
 REV LETTER: E
 REV DATE: JULY 15, 1999
 PAGE: 1 OF 1

Specification Status: RELEASED

Maximum Electrical Rating

Voltage: 16V_{DC}
Current: 100A

Marking:

19  6L

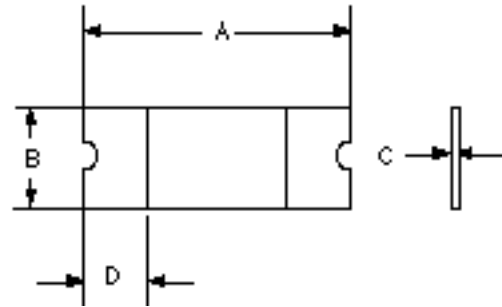
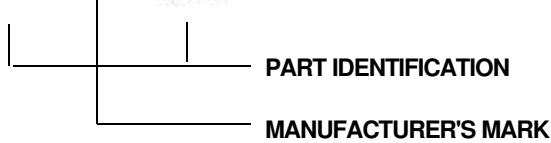


TABLE I. DIMENSIONS:

	A		B		C		D	
	MIN	MAX	MIN	MAX	MIN	MAX	MIN	MAX
mm:	11.15	11.51	4.83	5.33	0.33	0.53	0.51	1.02
in*:	(0.439)	(0.453)	(0.19)	(0.21)	(0.013)	(0.021)	(0.02)	(0.04)

*Rounded off approximation

TABLE II. PERFORMANCE RATINGS:

I HOLD	I HOLD AT TEMPERATURE				TIME TO TRIP		REFERENCE RESISTANCE VALUES		ONE-HOUR POST-TRIP RESISTANCE		TRIPPED-STATE POWER DISSIPATION
	AMPS AT 20°C HOLD	AMPS AT 0°C HOLD	AMPS AT 20°C HOLD	AMPS AT 60°C HOLD	AMPS AT 80°C HOLD	SECONDS AT 20°C, 10A TYP MAX	OHMS AT 20°C MIN MAX	OHMS AT 20°C TYP MAX	WATTS AT 20°C, 16V MAX		
1.9	2.2	1.9	1.1	0.5	0.70 2.0	0.024 0.040	0.065 0.080	1.5			

Reference Documents: PS300
 Precedence: This specification takes precedence over documents referenced herein.
 Effectivity: Reference documents shall be the issue in effect on the date of invitation for bid.
 CAUTION: Operation beyond the rated voltage or current may result in rupture, electrical arcing or flame.