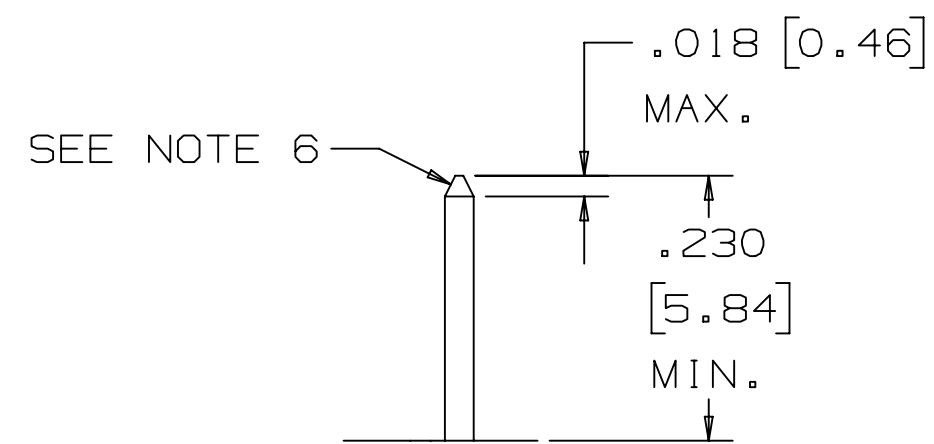
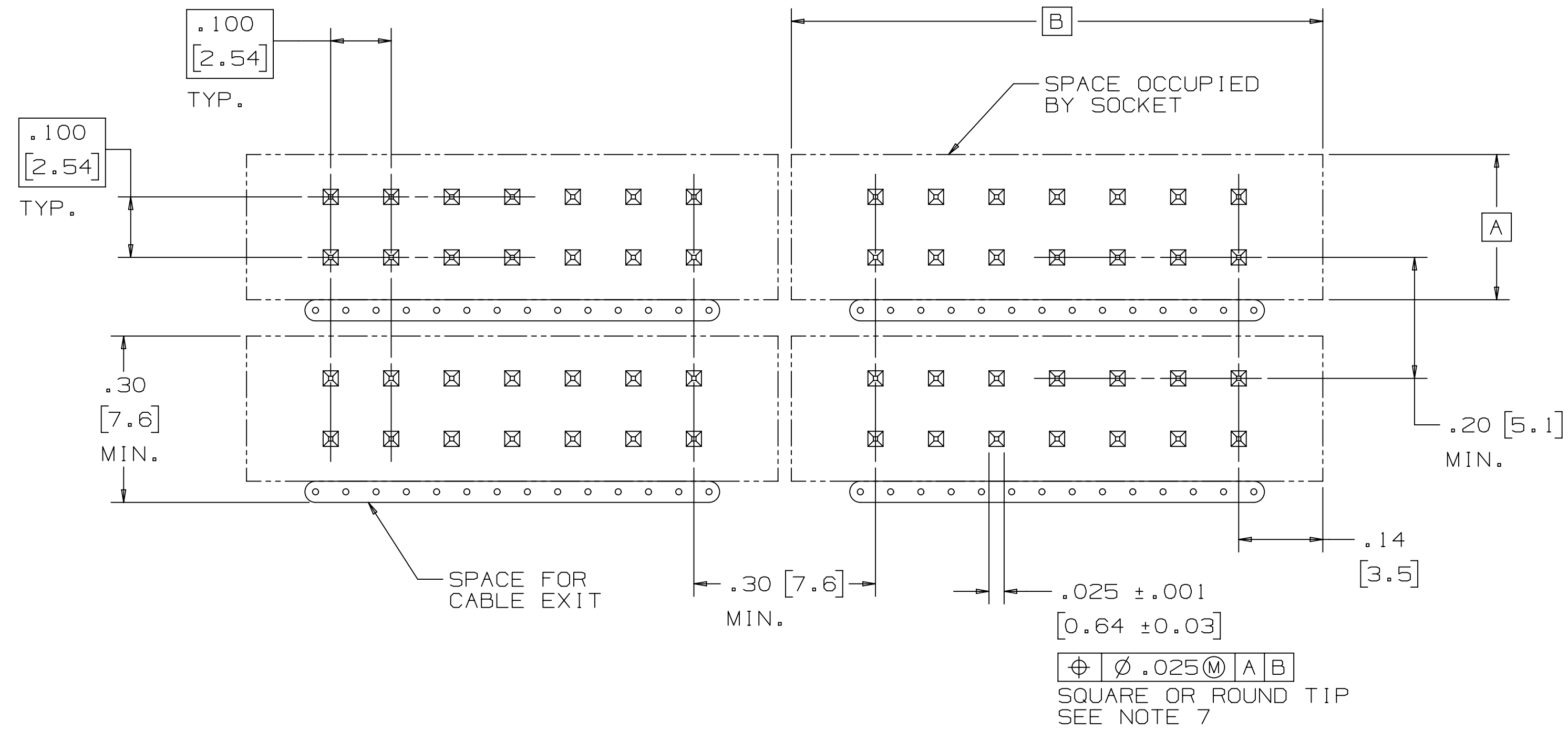
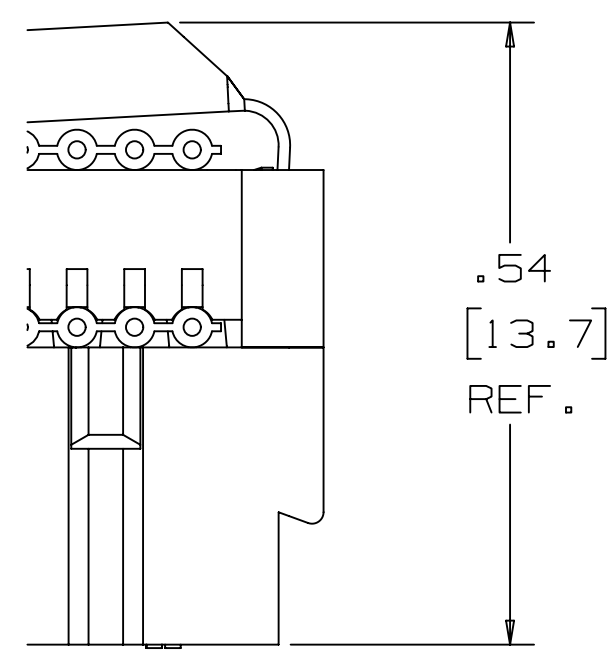


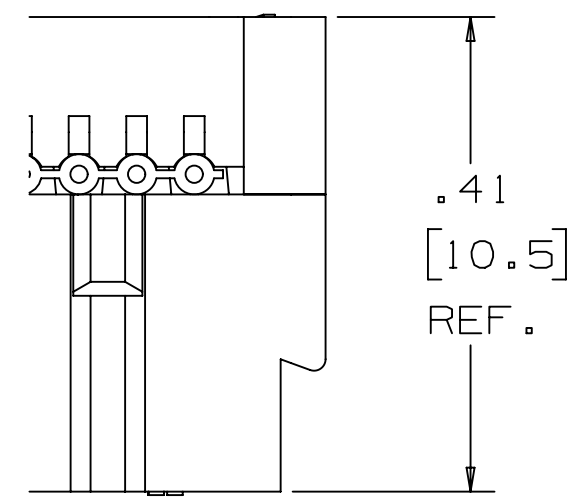
3M™ WIREMOUNT SOCKET, 3000 SERIES
 .100" X .100" FOR .050" PITCH CABLE, (OPTIONAL PLASTIC OR METAL STRAIN RELIEF)



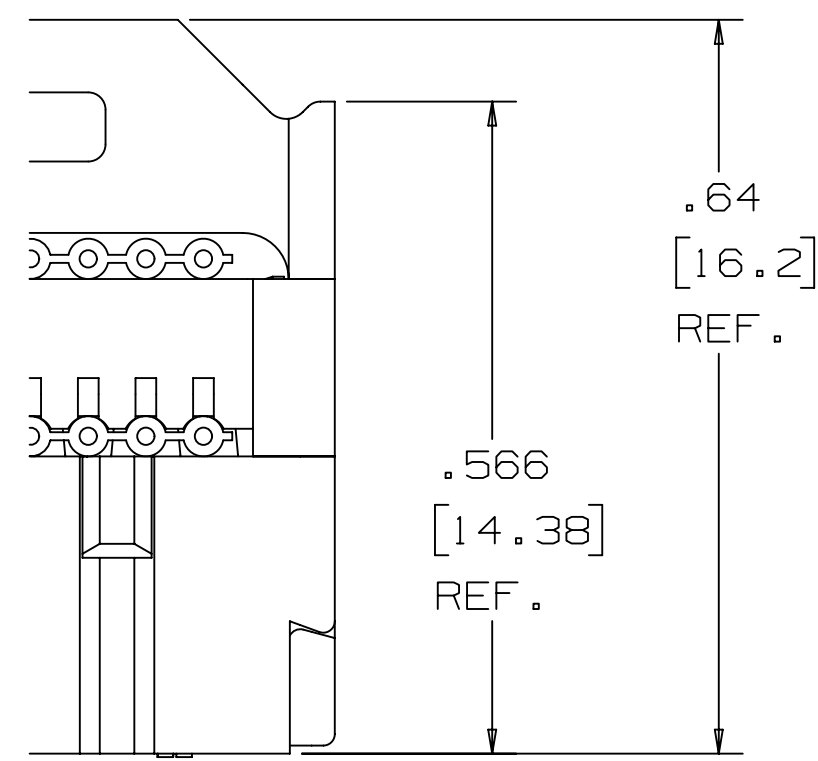
RECOMMENDED PIN PATTERN
 FOR STACKED CONFIGURATIONS



ASSEMBLED HEIGHT
 WITH METAL PROFILE
 STRAIN RELIEF



ASSEMBLED HEIGHT
 WITHOUT STRAIN RELIEF



ASSEMBLED HEIGHT
 WITH PLASTIC
 STRAIN RELIEF

DESIGN REFERENCE		NEXT ASSEMBLY		REV	ECO	ISSUE DATE AND DESCRIPTION		DRFT	CHKD
G 97305		JUN 21, 2021		JNC	SAN	REVISED AND REDRAWN			
DRFT CASTIGLIONE		DATE JUN 21, 2021		MFG		DATE			
CHKD		DATE		APPRV S. NEU		DATE JUN 22, 2021			
DIVISION		DIVISION CODE		3M Center St. Paul, MN 55144 © 3M COPYRIGHT 2021 This document and the information it contains are 3M property and may not be reproduced or further distributed without 3M permission, or used or disclosed other than for 3M authorized purposes. All rights reserved.					
DO NOT SCALE DRAWING	SCALE 6/1	TOLERANCES EXCEPT AS NOTED		INCHES .00 ± .01 .000 ± .005 .0000 ± .0002 MILLIMETERS ± .00 ± .01 .000 ± .005 .0000 ± .0002 ANGLES ±					
THIRD ANGLE PROJECTION		INTERPRET PER ASME Y14.5 - 2018		MAX SURFACE ROUGHNESS ALL SURFACES MARKED ONLY					
CAGE NUMBER		SIZE	DRAWING NO.		REV.				
D 78-5100-0718-6		G	78-5100-0718-6		G				
MODEL 3000		DET		YES NO		SHT 3 OF 4			

3M™ WIREMOUNT SOCKET, 3000 SERIES
 .100" X .100" FOR .050" PITCH CABLE, (OPTIONAL PLASTIC OR METAL STRAIN RELIEF)

Regulatory: For regulatory information about this product, visit 3M.com/regs or contact your 3M representative.

Technical Information: The technical information, recommendations and other statements contained in this document are based upon tests or experience that 3M believes are reliable, but the accuracy or completeness of such information is not guaranteed.

Product Use: Many factors beyond 3M's control and uniquely within user's control can affect the use and performance of a 3M product in a particular application. Given the variety of factors that can affect the use and performance of a 3M product, user is solely responsible for evaluating the 3M product and determining whether it is fit for a particular purpose and suitable for user's method of application.

Warranty, Limited Remedy, and Disclaimer: Unless an additional warranty is specifically stated on the applicable 3M product packaging or product literature, 3M warrants that each 3M product meets the applicable 3M product specification at the time 3M ships the product. 3M MAKES NO OTHER WARRANTIES OR CONDITIONS, EXPRESS OR IMPLIED, INCLUDING, BUT NOT LIMITED TO, ANY IMPLIED WARRANTY OR CONDITION OF MERCHANTABILITY OR FITNESS FOR A PARTICULAR PURPOSE OR ANY IMPLIED WARRANTY OR CONDITION ARISING OUT OF A COURSE OF DEALING, CUSTOM OR USAGE OR TRADE. If the 3M product does not conform to this warranty, then the sole and exclusive remedy is, at 3M's option, replacement of the 3M product or refund of the purchase price.

Limitation of Liability: Except where prohibited by law, 3M will not be liable for any loss or damage arising from the 3M product, whether direct, indirect, special, incidental or consequential, regardless of the legal theory asserted, including warranty, contract, negligence or strict liability.

3M Company
 Electronics Materials Solutions Division
 13011 McCallen Pass, Bldg. C
 Austin, TX 78753-5380
 1-800-225-5373
www.3M.com/interconnect

DESIGN REFERENCE		NEXT ASSEMBLY		REV	ECO	ISSUE DATE AND DESCRIPTION		DRFT	CHKD
G 97305		JUN 21, 2021		JNC	SAN	REVISED AND REDRAWN			
OFFT		DATE		MFG		DATE			
CASTIGLIONE		JUN 21, 2021		MFG		DATE			
CHKD		DATE		APPRV		DATE			
				S. NEU		JUN 22, 2021			
DIVISION		DIVISION CODE		3M Center		© 3M COPYRIGHT 2021			
		EMSD		St. Paul, MN 55144		This document and the information it contains are 3M property and may not be reproduced or further distributed without 3M permission, or used or disclosed other than for 3M authorized purposes. All rights reserved.			
DO NOT SCALE DRAWING	SCALE 8/1	TOLERANCES EXCEPT AS NOTED		TITLE		WIREMOUNT SOCKET, .100" X .100", .050" PITCH CABLE			
THIRD ANGLE PROJECTION		INCHES		MILLIMETERS		CAGE NUMBER		DRAWING NO.	
INTERPRET PER ASME Y14.5 - 2018		.0 ± .1 .00 ± .01 .000 ± .005 .0000 ± .0002		0 ± 0 ± 0 ±		D 78-5100-0718-6		G	
MAX SURFACE ROUGHNESS		.0 ± .00 ± .000 ±		MODEL		3000		REV.	
MARKED ONLY		ANGLES ±		DET		LISTS		YES <input type="checkbox"/> NO <input checked="" type="checkbox"/> SHT 4 OF 4	

78-5100-0718-6
DRAWING NUMBER
G
REVISION