

Ratings

Voltage: 600 V
 Temperature: -40~105 °C
 Flammability: FT2

Conductor

Conductor count: 2
 Gauge: 32 AWG 0.04 mm²
 Material: tinned copper strands
 Strand size: $\varnothing 0.08 \times 7$
 Resistance at 20 °C: 588 Ω /km max

Insulator

Material: mPPE
 Color: red, black
 Diameter: $\varnothing 0.75 \pm 0.08$ mm
 Average thickness: 0.24 mm
 Resistance at 20 °C: 100 M Ω /km min

Wrap

Material: cotton paper

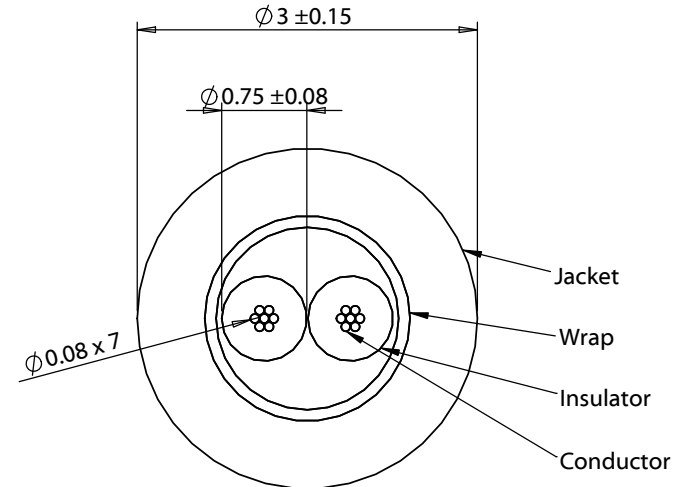
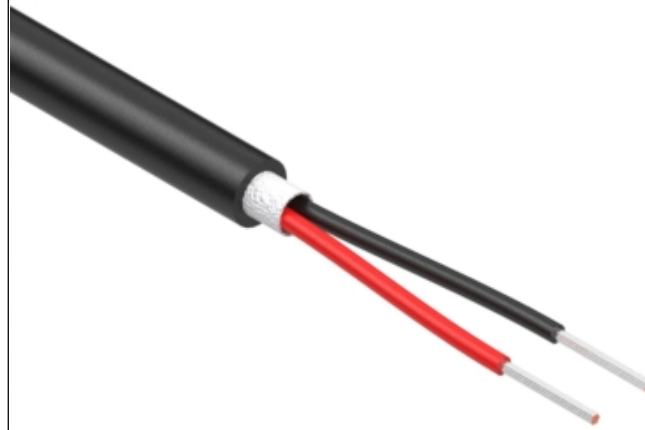
Outer jacket

Material: mPPE, 85A
 Color: black
 Diameter: $\varnothing 3 \pm 0.15$ mm
 Average thickness: 0.7 mm

Wire marking: E339579 UL AWM STYLE 21509 32 AWG 105°C
 600V --- cUL AWM I A 105°C 600V FT2 TENSILITY

Bend radius

Minimum: 6 times diameter (18.0 mm)



Revision:	Date:	Description:	Prepared:	Notes:	<h1>TENSILITY</h1> tel 1.541.323.3228 800 877.670.7118 fax 1.541.323.4202 web tensility.com
A	5/5/2021	Initial release	AW <small>Digitally signed by AW Date: 2021.05.06 12:37:19 -07'00'</small>	RoHS compliant	
			Verified:	Phthalate and halogen free	Size: Part number: A 30-01981
			JC <small>Digitally signed by JC Date: 2021.05.11 12:15:05 -07'00'</small>	Description:	
			Dimensions are in millimeters. Tolerances: X: ± 0.5 mm X.X: ± 0.3 mm X.XX: ± 0.05 mm	Wire, 2C TS, 32 AWG, 21509, 600V, 105C, 3.0 mm, FT2, mPPE	Scale: 15:1
					Sheet 1 of 1

5

4

3

2

1