

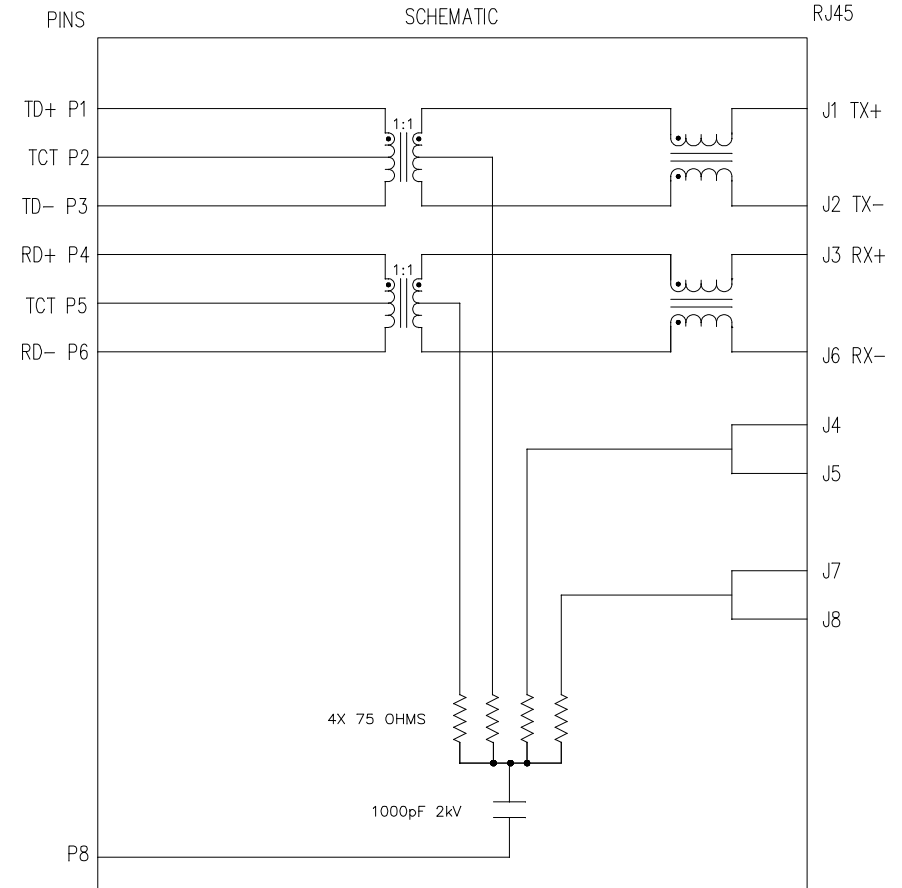
THE INFORMATION CONTAINED HEREIN IS CONSIDERED "PROPRIETARY" TO BEL FUSE INC. AND SHALL NOT BE COPIED, REPRODUCED OR DISCLOSED WITHOUT THE WRITTEN APPROVAL OF BEL FUSE INC.

RoHS  
2002/95/EC



**ELECTRICAL CHARACTERISTICS @ 25°C**

- 1.0 TURNS RATIO:(P6-P5-P4) : (J6-J3) : 1CT : 1CT± 3%  
(P3-P2-P1) : (J2-J1) : 1CT : 1CT ± 3%
- 2.0 INDUCTANCE: (P6-P4) : 350uH MIN. @ 0.1V,100KHz, 8mA DC Bias  
(P3-P1) : 350uH MIN. @ 0.1V, 100KHz, 8mA DC Bias
- 3.0 LEAKAGE INDUCTANCE: P6-P4 (WITH J6 AND J3 SHORT) : 0.3 MAX. @ 1MHz  
P3-P1 (WITH J2 AND J1 SHORT) : 0.3 MAX. @ 1MHz
- 4.0 INTERWINDING CAPACITANCE(P6,P5,P4) TO (J6,J3) : 30pF MAX @ 1MHz  
(P3,P2,P1) TO (J2,J1) : 30pF MAX. @ 1MHz
- 5.0 DC RESISTANCE:(J6-J3)=(J2-J1) : 1.2 ohms Max.
- RECEIVE
- 6.0 RETURN LOSS1MHz TO 30MHz : 18dB MIN.  
60MHz TO 80MHz : 12dB MIN.  
NOTE: 100 OHMS CONNECTED TO (J2-J1) OR (J6-J3).
- 7.0 DIELECTRIC WITHSTAND(J1, J2) TO (P1, P3) : 1500 Vrms  
(J3, J6) TO (P4,P6) : 1500 Vrms
- 8.0 INSERTION LOSSRS=RL=100 ohms : 1.1 dB TYP  
100KHz TO 100MHz
- 9.0 RISE TIME: RS=100 OHMS AND RL = 100 OHMS : 3.0 nS MAX  
OUTPUT VOLTAGE = 1 V peak : 3.0 nS MAX  
PULSE WIDTH= 112nS
- 10.0CROSS TALK: 1MHz TO 100MHz : 40 dB TYP
- 11.0COMMON TO COMMON MODE ATTENUATION30MHz TO 100MHz : 35dB TYP



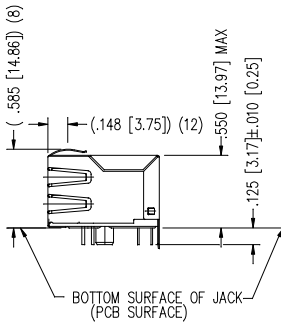
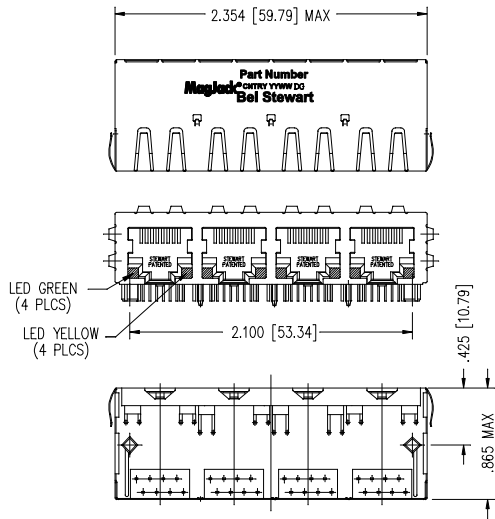
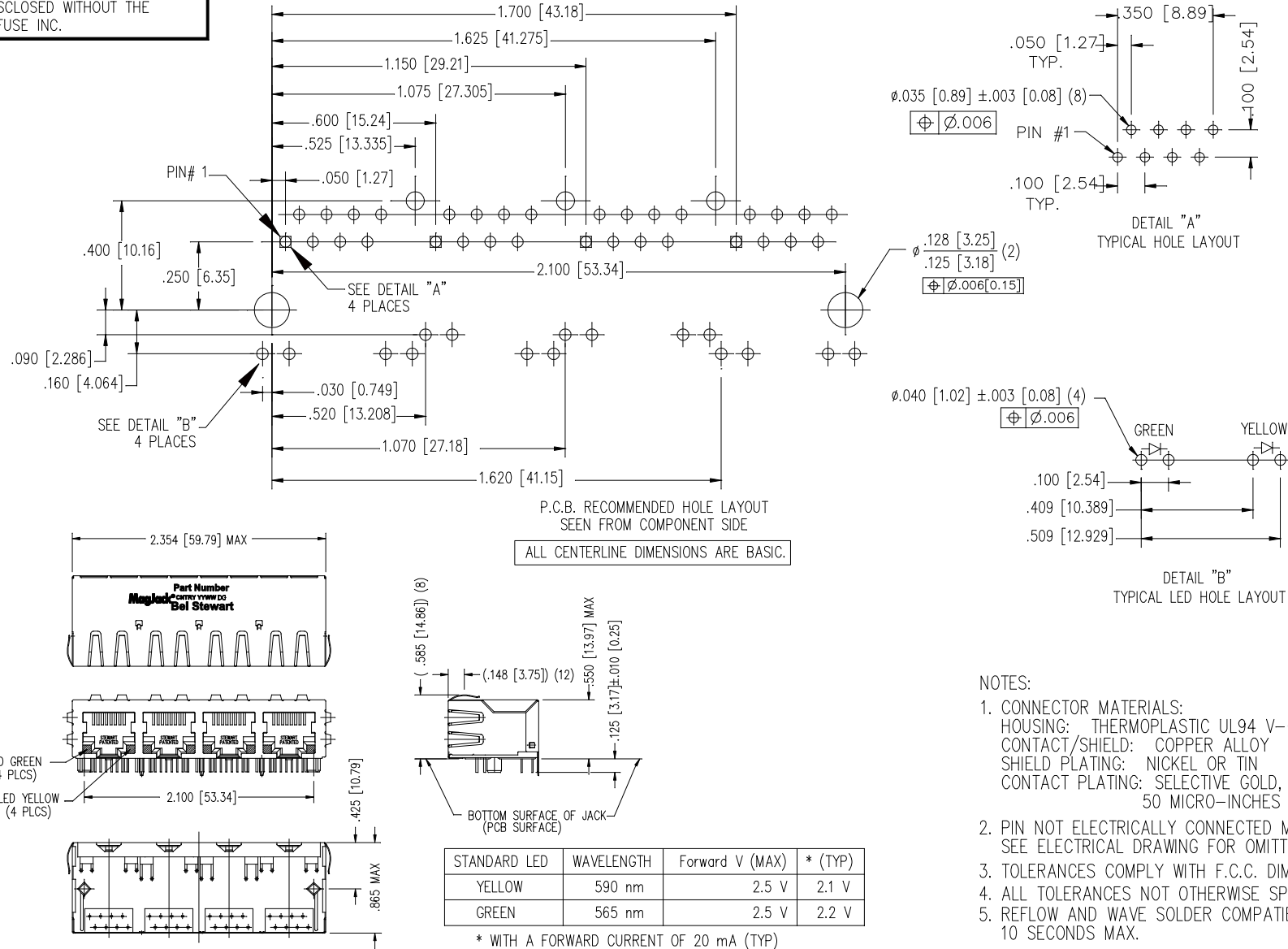
NOTES

1.0 PINS WITHOUT ELECTRICAL CONNECTION ARE OMITTED.

ORIGINATED BY Bain Liu	DATE 09-27-08	TITLE <b>MagJack®</b>	PART NO. / DRAWING NO. SI-60096-F	STANDARD DIM. TOL. IN INCH	[ ] METRIC DIM. AS REFERENCE	 COMPONENTS FOR A CONNECTED PLANET
DRAWN BY LW Yuan	DATE 09-27-08	10/100BT TAB DOWN, SHIELDED	FILE NAME SI-60096-F.DWG	.X	UNIT : INCH [mm] REV. : A0	
				.XX	SCALE : N/A SIZE : A4	
				.XXX	±0.005	 PAGE : 1

THE INFORMATION CONTAINED HEREIN IS CONSIDERED "PROPRIETARY" TO BEL FUSE INC. AND SHALL NOT BE COPIED, REPRODUCED OR DISCLOSED WITHOUT THE WRITTEN APPROVAL OF BEL FUSE INC.

RoHS  
2002/95/EC



STANDARD LED	WAVELENGTH	Forward V (MAX)	* (TYP)
YELLOW	590 nm	2.5 V	2.1 V
GREEN	565 nm	2.5 V	2.2 V

\* WITH A FORWARD CURRENT OF 20 mA (TYP)

ORIGINATED BY  
Bain Liu

DATE  
09-27-08

DRAWN BY  
LW Yuan

DATE  
09-27-08

TITLE  
**MagJack®**  
10/100BT  
TAB DOWN, SHIELDED

PART NO. / DRAWING NO.  
SI-60096-F

FILE NAME  
SI-60096-F.DWG

STANDARD DIM. TOL. IN INCH	
.X	
.XX	
.XXX	±0.005

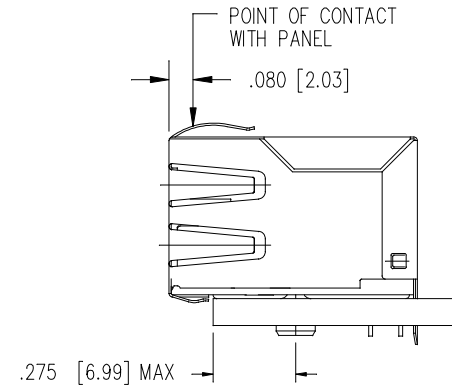
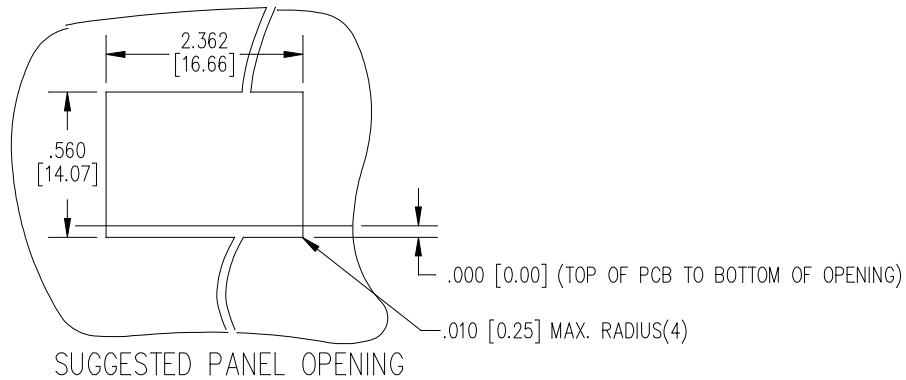
[ ] METRIC DIM. AS REFERENCE	
UNIT : INCH [mm]	REV. : A0
SCALE : N/A	SIZE : A4
PAGE : 2	



COMPONENTS FOR A  
CONNECTED  
PLANET

THE INFORMATION CONTAINED HEREIN IS CONSIDERED "PROPRIETARY" TO BEL FUSE INC. AND SHALL NOT BE COPIED, REPRODUCED OR DISCLOSED WITHOUT THE WRITTEN APPROVAL OF BEL FUSE INC.

RoHS  
2002/95/EC



1. THE SUGGESTED PANEL OPENING IS INTENDED TO GIVE THE USER THE ABILITY TO HAVE REASONABLE JACK / PANEL CLEARANCES YET MAINTAIN RELIABLE GROUNDING CAPABILITY.
2. ALL TOLERANCES NOT OTHERWISE SPECIFIED TO BE  $\pm 0.005$  [0.13]

ORIGINATED BY Bain Liu	DATE 09-27-08	TITLE <b>MagJack®</b> 10/100BT TAB DOWN, SHIELDED	PART NO. / DRAWING NO. SI-60096-F	STANDARD DIM. TOL. IN INCH	[ ] METRIC DIM. AS REFERENCE	bel COMPONENTS ON A CONNECTED PLANET
DRAWN BY LW Yuan	DATE 09-27-08		FILE NAME SI-60096-F.DWG	.X .XX .XXX	UNIT : INCH [mm] SCALE : N/A 	
REV A1 06-30-2008		This document is electronically generated. This is a controlled copy if used internally				