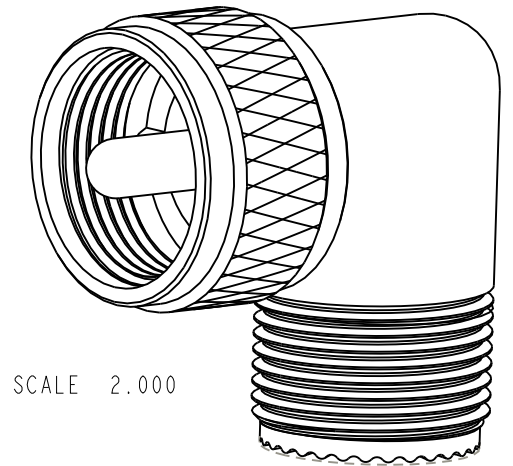
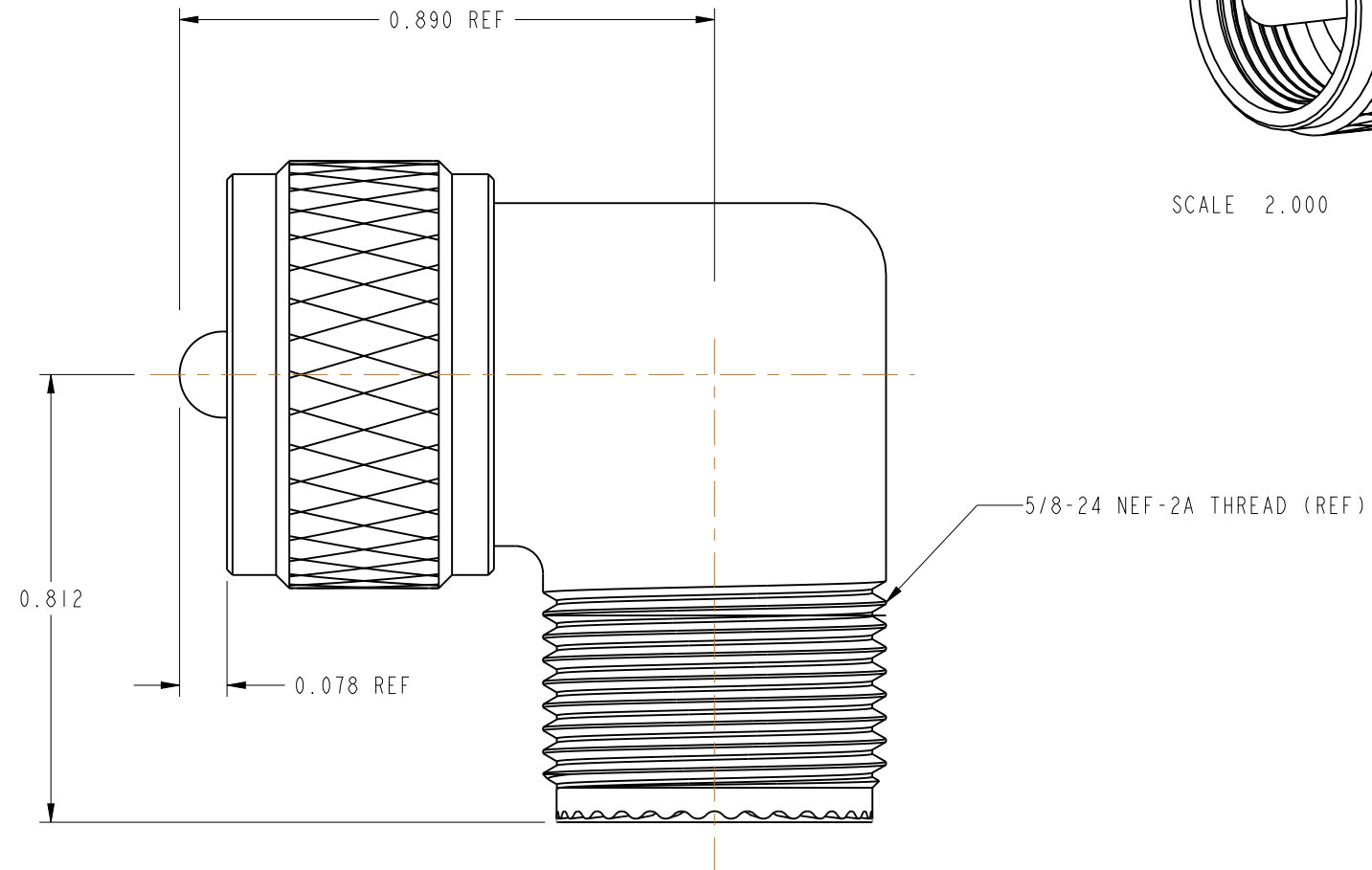
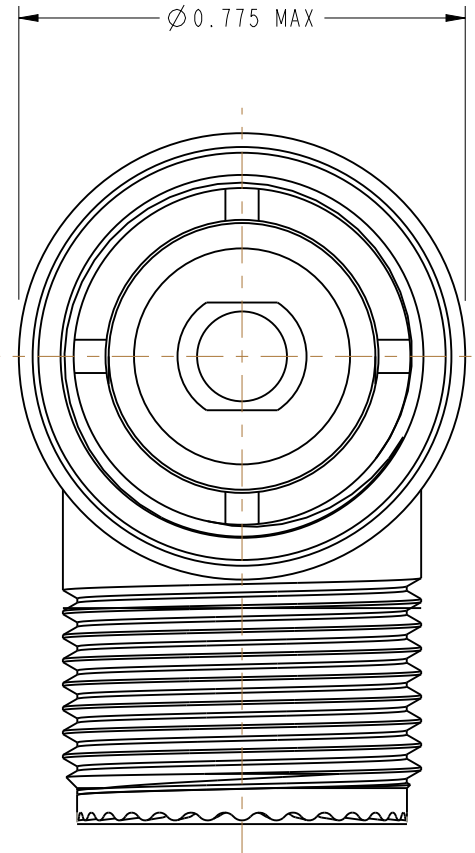


NOTES:

1. MATERIALS AND FINISHES:
 BODY - ZAMAC, NICKEL PLATING
 CONTACT, COUPLING NUT - BRASS, NICKEL PLATING
 INSULATOR - PTFE
2. PACKAGING:
 A. QUANTITY: SINGLE PACK
 B. MARKING: BAG TO BE MARKED
 "AMPHENOL RF, 83-IAP, AND DATE CODE"

| | | | | | |
|-------------------|-----|--------------------------|---------|-------|------|
| 83-IAP | | REVISIONS | | | |
| DRAWING NO. | REV | DESCRIPTION | DATE | ECO | APPR |
| THIRD ANGLE PROJ. | -- | RELEASE TO MFG. | -- | -- | -- |
| | Y | REDRAWN IN PROE, ADD COD | 7/14/11 | 48601 | AAP |



SCALE 2.000

CUSTOMER OUTLINE DRAWING
 ALL OTHER SHEETS ARE FOR INTERNAL USE ONLY

| | | | | | | |
|---|-----------|------------------------------------|-------------------|--|--|----------|
| UNLESS OTHERWISE SPECIFIED, DIMENSIONS ARE IN INCHES AND TOLERANCES ARE: 2 PLACE DECIMAL ±.015 (0,381 mm) 3 PLACE DECIMAL ±.005 (0,127 mm) ANGLES ± 1° | MATERIAL | DRAWN A ARUN PRABU ENGINEER | DATE 03-Jul-09 | TITLE UHF PLUG RIGHT ANGLE ADAPTER NICKEL PLATED | Amphenol RF Danbury, CT, USA Tainan, Taiwan Shenzhen, China www.amphenolrf.com | |
| | REFERENCE | APPROVED K. CAPOZZI | DATE 6/30/11 | | | |
| NOTICE - These drawings, specifications, or other data (1) are, and remain the property of Amphenol Corp. (2) must be returned upon request; and (3) are confidential and not to be disclosed to any person other than those to whom they are given by Amphenol Corp. The furnishing of these drawings, specifications, or other data by Amphenol Corp., or to any other person to anyone for any purpose is not to be regarded by implication or otherwise in any manner licensing, granting rights or permitting such holder or any other person to manufacture, use or sell any product, process or design, patented or otherwise, that may in any way be related to or disclosed by said drawings, specifications, or other data. | | CAD FILE Root Folder/UHF/83-IAP | CODE ID 74868 | DWG SIZE B | DRAWING NO. 83-IAP | REV Y |
| | | | | | SCALE: 3.0:1 SHEET 2 OF 2 | |