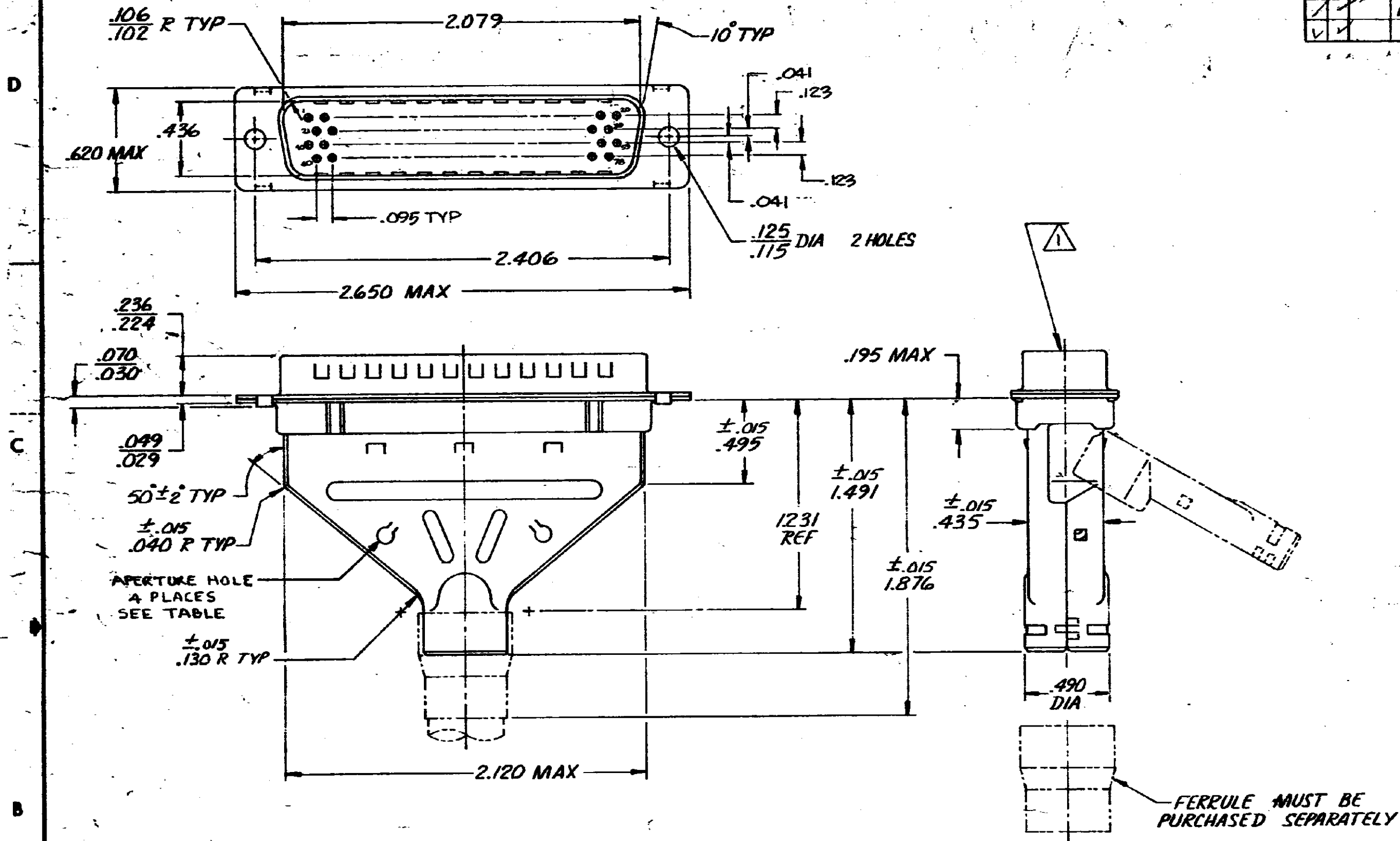


DRAWING MADE IN THIRD ANGLE PROJECTION

THIS DRAWING IS UNPUBLISHED. RELEASED FOR PUBLICATION 19  
 © COPYRIGHT 19 BY AMP INCORPORATED, HARRISBURG, PA. ALL INTERNATIONAL RIGHTS RESERVED. AMP PRODUCTS MAY BE COVERED BY U.S. AND FOREIGN PATENTS AND/OR PATENTS PENDING.

REVISIONS					
P	F	ZONE	DESCRIPTION	DATE	APPROVED
0			RELEASED WAS 88-5518-5		
1			REV PER ECN 804294	9-24-89	
2			RELEASED - 2, APR 3826 WFS 91-5518-11.1	2-18-91	TMS



- 1 PLUG ACCEPTS SIZE 22 PIN CONTACTS (CONTACTS MUST BE ORDERED SEPARATELY).
- 2 ALL PARTS SHIPPED UNASSEMBLED. EACH PART INDIVIDUALLY BULK PACKED.
- 3 FLAME RETARDANT 94V-0 RATED GLASS-FILLED NYLON, COLOR: BLACK.

WITHOUT	748472-2
WITH	748472-1
APERTURE HOLE	PART NO

UNLESS OTHERWISE SPECIFIED DIMENSIONS ARE IN INCHES. TOLERANCES ON: DECIMALS ± .005 ANGLES ± 0° 30'	CONTRACT NO		<b>AMP</b>   AMP INCORPORATED Harrisburg, Pa. 17106			
	DR	4-28-87				
	CHK	Richard 4-30-87	NAME	KIT, PLUG, SHIELDING HARDWARE, 78 POSN, SIZE 5, AMPLIMITE® HDP-22		
	ARPD	D.N.C. 4-30-87	APPD			
MATERIAL HOUSING: A SHELLS: CS PER ASTM A109 SHIELDS: STEEL PER ASTM A109	DSGN APPD	OTHER APPD	SIZE	FSCM NO	DRAWING NO	
FINISH SHELLS AND SHIELDS: TIN PLATED PER MIL-T-10727			C	00779	748472	
			SCALE	2:1	SHEET	1 of 1

AMP 1471-S REV 2-81

CUSTOMER DRAWING