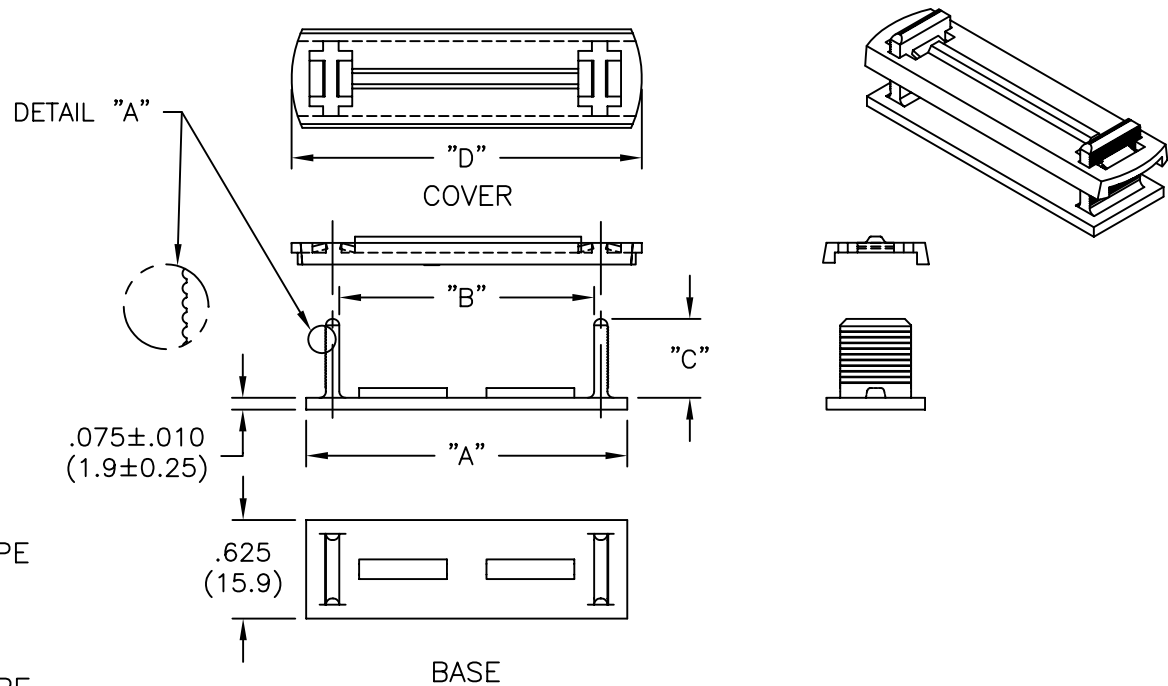


BASE PART NO.	"A" REF.	"B" REF.	"C"	COVER PART NO.	"D"
FCRCS-13B-4	2.04 (51.7)	1.62 (41.2)	1/2 (12.7)	FCRC-13C	2.24 (56.8)
FCRCS-13B-6			3/4 (19.1)		
FCRCS-19B-4	2.72 (69.1)	2.31 (58.7)	1/2 (12.7)	FCRC-19C	2.92 (74.2)
FCRCS-19B-6			3/4 (19.1)		
FCRCS-21B-4	2.98 (75.7)	2.55 (64.8)	1/2 (12.7)	FCRC-21C	3.17 (80.5)
FCRCS-21B-6			3/4 (19.1)		
FCRCS-26B-4	3.66 (93.0)	3.24 (82.3)	1/2 (12.7)	FCRC-26C	3.86 (98.0)
FCRCS-26B-6			3/4 (19.1)		



NOTES:

- MATERIAL: NYLON 6/6 (RMS-01).
FLAME RETARDANT NYLON (RMS-19),
AVAILABLE BY SPECIAL ORDER ONLY.
- COLOR: NATURAL.
- TAPE:
1/32 (0.8) THICK, ACRYLIC ADHESIVE TAPE
(RMS-15), WHITE LINER,
AVAILABLE BY SPECIAL ORDER ONLY.
TO ORDER, SPECIFY A-RT AS SUFFIX.
1/32 (0.8) THICK, RUBBER ADHESIVE TAPE
(RMS-102), BLUE LINER,
AVAILABLE BY SPECIAL ORDER ONLY.
TO ORDER, SPECIFY A1-RT AS SUFFIX.

TITLE: FLAT CABLE ROUTING CLAMP, SERRATED			DWG IN IN (MM)		FINAL	
TOLERANCES UNLESS NOTED	FILE # FCRCS	DWN: SM	APP:	PART #		
.XX=±.010	MAT'L: SEE NOTES	DT: 12/20/01	DT:	SEE TABLE		
.XXX=±.005	RE: RICHCO, INC.	RICHCO INC.		PRINT TYPE		
FRAC=±1/64		PO BOX 804238, CHICAGO, 60680		CA		
ANG=±1'		(773) 539-4060				

REV	DESCRIPTION	ENGR	DATE
D	CORRECTED COVER PART NUMBERS	SM	03.25.02
C	COMPLETELY RE-DRAWN	SM	12.20.01
B	MAT'L RMS-19 ADDED		06.21.00
A	CONVERTED TO ACAD	PB	03.22.94