

GloTek, Inc. www.globtek.com 186 Veterans Drive, Northvale, NJ 07647 Tel. (201) 784-1000 Fax (201) 784-0111	Drawing Title: T-plug system, Changeable barrel connector system to STRIP AND TIN, ROJ 20±5m, RIJ 5±1 mm, Strain Relife, KZ p/n: MO-8G-85, M8 (ABS), M8 silicon washer, GT Cable #1185 #18 1c+Shield: 18 / 1+C Conductors, 3.5 +/-0.15 mmmm OD, UL STYLE 1185, 80 Deg.C, 300V, Shield 56 Strands 0.12mm2, Approvals: , L=2500+150, -0mm, GlobTek Black	
	Model No. Power Cord	
	Part No./Ordering No. T001185182M50A00IP21SR	Rev B

CUSTOMIZED LENGTHS, COLORS, CABLE TYPES, TERMINATIONS/PLUGS/RECEPTACLES AVAILABLE UPON REQUEST. ADDITIONAL PLUG OPTIONS ARE AVAILABLE AT <https://www.globtek.com/connectors/> STANDARD PLUGS AND CONNECTORS CAN BE SEEN ONLINE AT <https://www.globtek.com/connectors/> ACTUAL CONNECTORS, OVERMOLDS, FERRITES MAY VARY SLIGHTLY FROM THE PICTURE BELOW DIMENSIONS ARE IN MM UNLESS SPECIFIED OTHERWISE

In Addition to GlobTek Inc.'s renewed ISO9001:2008 - Quality Management System Certification, GlobTek Inc. is now certified to:

ISO13485:2003 - Medical Devices Quality Management System Certification
ISO14001:2004 - Environmental Management System Certification

ISO Certificates are available online at <https://www.globtek.com/iso-certificates/>
Prop 65 Statement: <https://en.globtek.com/prop-65-statement.pdf>

The acceptance of this specification and use of the product described in this document indicates the acceptance and binding of the customer to Globtek TERMS AND CONDITIONS (attached to the end of this document), which supersede all other agreements, terms, and conditions (<https://en.globtek.com/terms-and-conditions/>).

The purchaser of this product (Customer) agrees that it is their sole responsibility to determine suitability/fitness of the product described in this specification for their application and to take precautions for protection against any hazards attendant to the handling and use of the product.

Footnote:

GlobTek Inc. will not be liable for the safety and performance of these power supplies if unauthorized access and repair occurs. End user should consult applicable UL, CSA or EN standards for proper installation instruction.

Limitation of Use:

GlobTek products are intended for use with commercial, medical, and/or industrial equipment only. GlobTek product are not authorized for use as mission critical components in life support hazardous environment, nuclear or aircraft applications without prior written approval from the CEO of GlobTek Inc.
Contents of this document are subject to change without prior notice.

Customer Approval of Specification:

Please approve, sign and send back to GlobTek so we can complete order processing.
A delay in receipt of this form will delay delivery schedule.

Company Name: _____	Customer P/N: _____
Quote Number: _____	Date: _____
Authorized Representative Name: _____	Authorized Representative Signature: _____

GlobTek, Inc. www.globtek.com 186 Veterans Drive, Northvale, NJ 07647 Tel. (201) 784-1000 Fax (201) 784-0111	Drawing Title: T-plug system, Changeable barrel connector system to STRIP AND TIN, ROJ 20±5m, RIJ 5±1 mm, Strain Relife, KZ p/n: MO-8G-85, M8 (ABS), M8 silicon washer, GT Cable #1185 #18 1c+Shield: 18 / 1+C Conductors, 3.5 +/-0.15 mmmm OD, UL STYLE 1185, 80 Deg.C, 300V, Shield 56 Strands 0.12mm2, Approvals: , L=2500+150, -0mm, GlobTek Black	
	Model No. Power Cord	Part No./Ordering No. T001185182M50A00IP21SR
		Rev B

CUSTOMIZED LENGTHS, COLORS, CABLE TYPES, TERMINATIONS/PLUGS/RECEPTACLES AVAILABLE UPON REQUEST. ADDITIONAL PLUG OPTIONS ARE AVAILABLE AT <https://www.globtek.com/connectors/> STANDARD PLUGS AND CONNECTORS CAN BE SEEN ONLINE AT <https://www.globtek.com/connectors/> ACTUAL CONNECTORS, OVERMOLDS, FERRITES MAY VARY SLIGHTLY FROM THE PICTURE BELOW DIMENSIONS ARE IN MM UNLESS SPECIFIED OTHERWISE

REVISION HISTORY

REV	DESCRIPTION	SUB	DATE	APPROVED
B	Update drawing with added a silicone washer	QA	08/12/2020	QA
A	Initial release	QA	08/05/2020	QA

Cordset Information:

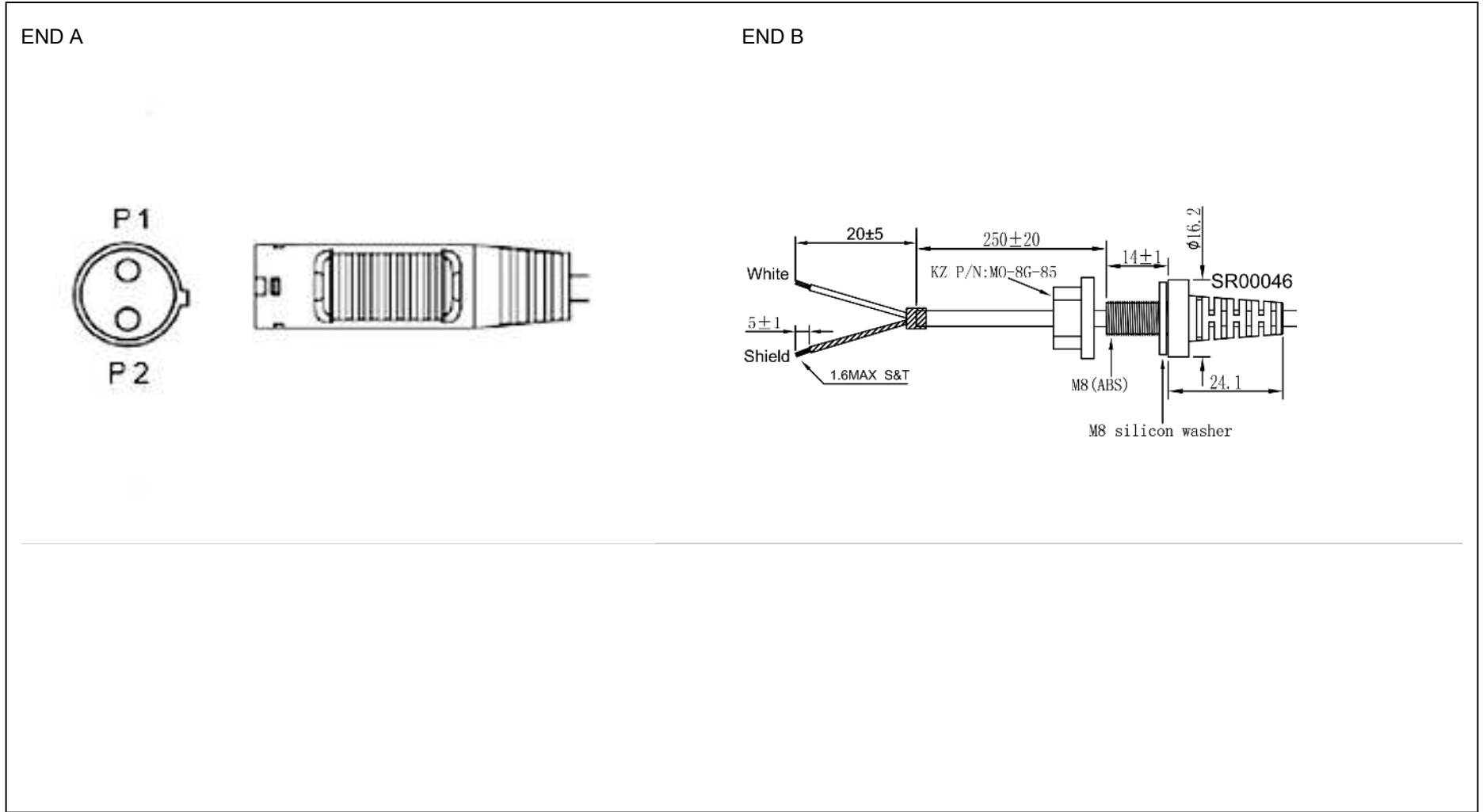
CordsetColor:GlobTek Black

Cord Length (mm):L=2500+150, -0

NOTES:

GlobTek, Inc. www.globtek.com 186 Veterans Drive, Northvale, NJ 07647 Tel. (201) 784-1000 Fax (201) 784-0111	Drawing Title: T-plug system, Changeable barrel connector system to STRIP AND TIN, ROJ 20±5m, RIJ 5±1 mm, Strain Relife, KZ p/n: MO-8G-85, M8 (ABS), M8 silicon washer, GT Cable #1185 #18 1c+Shield: 18 / 1+C Conductors, 3.5 +/-0.15 mmmm OD, UL STYLE 1185, 80 Deg.C, 300V, Shield 56 Strands 0.12mm2, Approvals: , L=2500+150, -0mm, GlobTek Black
	Model No. Power Cord Part No./Ordering No. T001185182M50A00IP21SR <div style="text-align: right;">Rev B</div>

CUSTOMIZED LENGTHS, COLORS, CABLE TYPES, TERMINATIONS/PLUGS/RECEPTACLES AVAILABLE UPON REQUEST. ADDITIONAL PLUG OPTIONS ARE AVAILABLE AT <https://www.globtek.com/connectors/> STANDARD PLUGS AND CONNECTORS CAN BE SEEN ONLINE AT <https://www.globtek.com/connectors/> ACTUAL CONNECTORS, OVERMOLDS, FERRITES MAY VARY SLIGHTLY FROM THE PICTURE BELOW DIMENSIONS ARE IN MM UNLESS SPECIFIED OTHERWISE



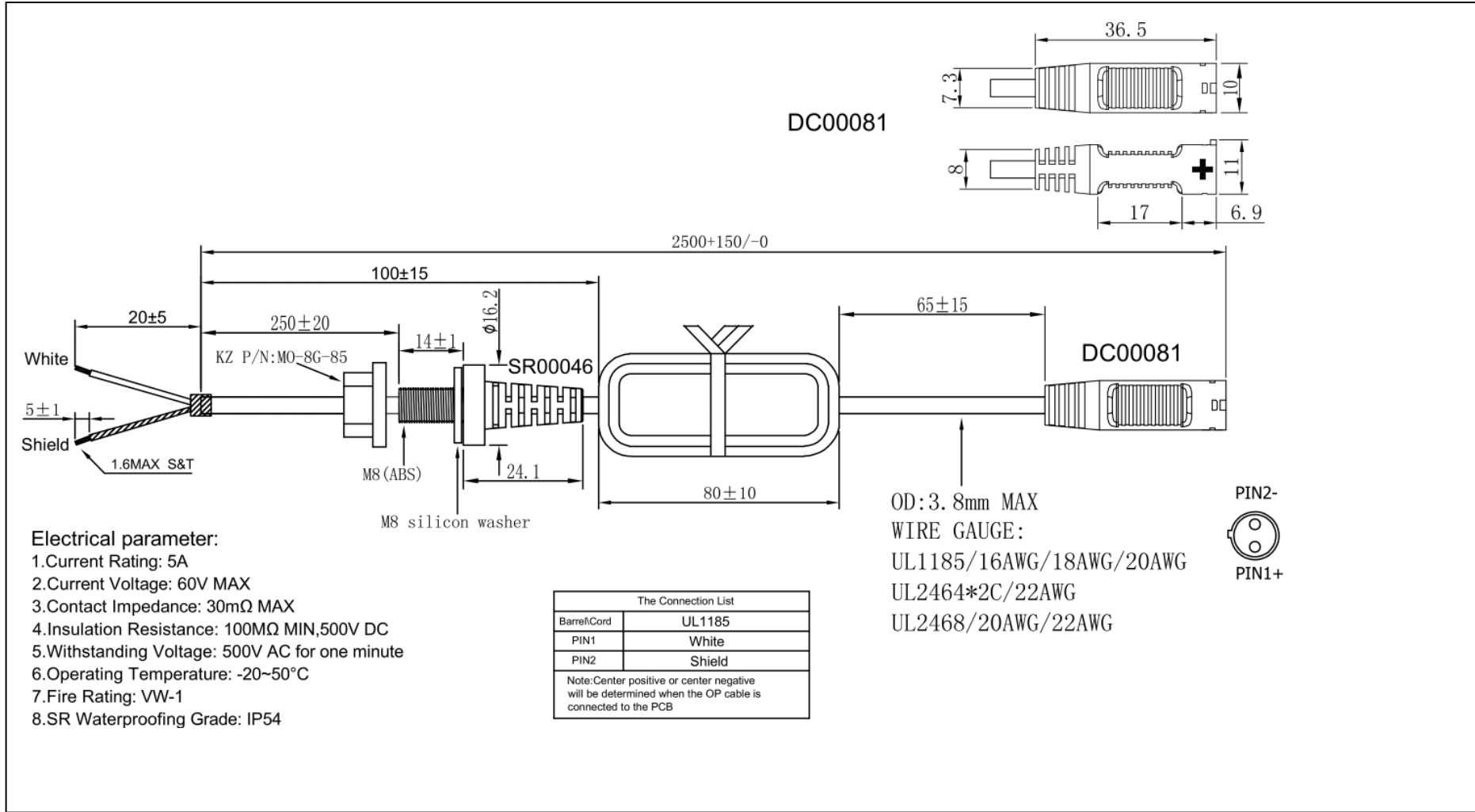
GlobTek, Inc. www.globtek.com 186 Veterans Drive, Northvale, NJ 07647 Tel. (201) 784-1000 Fax (201) 784-0111	Drawing Title: T-plug system, Changeable barrel connector system to STRIP AND TIN, ROJ 20±5m, RIJ 5±1 mm, Strain Relife, KZ p/n: MO-8G-85, M8 (ABS), M8 silicon washer, GT Cable #1185 #18 1c+Shield: 18 / 1+C Conductors, 3.5 +/-0.15 mmmm OD, UL STYLE 1185, 80 Deg.C, 300V, Shield 56 Strands 0.12mm2, Approvals: , L=2500+150, -0mm, GlobTek Black	
	Model No. Power Cord	Part No./Ordering No. T001185182M50A00IP21SR
		Rev B

CUSTOMIZED LENGTHS, COLORS, CABLE TYPES, TERMINATIONS/PLUGS/RECEPTACLES AVAILABLE UPON REQUEST. ADDITIONAL PLUG OPTIONS ARE AVAILABLE AT <https://www.globtek.com/connectors/> STANDARD PLUGS AND CONNECTORS CAN BE SEEN ONLINE AT <https://www.globtek.com/connectors/> ACTUAL CONNECTORS, OVERMOLDS, FERRITES MAY VARY SLIGHTLY FROM THE PICTURE BELOW DIMENSIONS ARE IN MM UNLESS SPECIFIED OTHERWISE

CABLE IMAGE

GlobTek, Inc. www.globtek.com 186 Veterans Drive, Northvale, NJ 07647 Tel. (201) 784-1000 Fax (201) 784-0111	Drawing Title: T-plug system, Changeable barrel connector system to STRIP AND TIN, ROJ 20±5m, RIJ 5±1 mm, Strain Relife, KZ p/n: MO-8G-85, M8 (ABS), M8 silicon washer, GT Cable #1185 #18 1c+Shield: 18 / 1+C Conductors, 3.5 +/-0.15 mmmm OD, UL STYLE 1185, 80 Deg.C, 300V, Shield 56 Strands 0.12mm2, Approvals: , L=2500+150, -0mm, GlobTek Black	
	Model No. Power Cord	Part No./Ordering No. T001185182M50A00IP21SR
		Rev B

CUSTOMIZED LENGTHS, COLORS, CABLE TYPES, TERMINATIONS/PLUGS/RECEPTACLES AVAILABLE UPON REQUEST. ADDITIONAL PLUG OPTIONS ARE AVAILABLE AT <https://www.globtek.com/connectors/> STANDARD PLUGS AND CONNECTORS CAN BE SEEN ONLINE AT <https://www.globtek.com/connectors/> ACTUAL CONNECTORS, OVERMOLDS, FERRITES MAY VARY SLIGHTLY FROM THE PICTURE BELOW DIMENSIONS ARE IN MM UNLESS SPECIFIED OTHERWISE



GlobTek, Inc. www.globtek.com 186 Veterans Drive, Northvale, NJ 07647 Tel. (201) 784-1000 Fax (201) 784-0111	Drawing Title: T-plug system, Changeable barrel connector system to STRIP AND TIN, ROJ 20±5m, RIJ 5±1 mm, Strain Relife, KZ p/n: MO-8G-85, M8 (ABS), M8 silicon washer, GT Cable #1185 #18 1c+Shield: 18 / 1+C Conductors, 3.5 +/-0.15 mmmm OD, UL STYLE 1185, 80 Deg.C, 300V, Shield 56 Strands 0.12mm2, Approvals: , L=2500+150, -0mm, GlobTek Black	
	Model No. Power Cord	Rev B
Part No./Ordering No. T001185182M50A00IP21SR		

CUSTOMIZED LENGTHS, COLORS, CABLE TYPES, TERMINATIONS/PLUGS/RECEPTACLES AVAILABLE UPON REQUEST. ADDITIONAL PLUG OPTIONS ARE AVAILABLE AT <https://www.globtek.com/connectors/> STANDARD PLUGS AND CONNECTORS CAN BE SEEN ONLINE AT <https://www.globtek.com/connectors/> ACTUAL CONNECTORS, OVERMOLDS, FERRITES MAY VARY SLIGHTLY FROM THE PICTURE BELOW DIMENSIONS ARE IN MM UNLESS SPECIFIED OTHERWISE

End A Code:T00 Description:T-plug system, Changeable barrel connector system Rating (V):125 Rating (A):8.0 Gender:Female Overmolded:Yes	Cable Code:1185 #18 1c+Shield Description:GT Cable #1185 #18 1c+Shield: 18 / 1+C Conductors, 3.5 +/-0.15 mmmm OD, UL STYLE 1185, 80 Deg.C, 300V, Shield 56 Strands 0.12mm2, Approvals: Color:GlobTek Black Wire Gauge(AWG):18 Cond:1+C Type:UL STYLE 1185 Temperature:80° C Amps: Volts:300 OD:3.5 +/-0.15 mm ConductorsColors:Shield 56 Strands 0.12mm2	End B Code:STRIP-TIN&SR Description:STRIP AND TIN, ROJ 20±5m, RIJ 5±1 mm, Strain Relife, KZ p/n: MO-8G-85, M8 (ABS), M8 silicon washer Rating (V): Rating (A): Gender:N/A Overmolded:No
---	---	---

Overall cable rating:

Plug Approvals	Cable Approvals	Connector Approvals
----------------	-----------------	---------------------



UL for Power Cords

AGENCY ONLINE DOCUMENTS

RoHS/RoHS3 Declaration	https://www.globtek.com/pdf/rohs_cert/01t3a000004vjodAAA
REACH Declaration	https://www.globtek.com/pdf/iso_certificates/REACH.pdf
Conflict Minerals Declaration	https://www.globtek.com/pdf/conflict-minerals.pdf
Prop 65 Statement	https://en.globtek.com/prop-65-statement.pdf
CE.UKCA.Cord	https://globtek.secure.force.com/spec/ec_decl_product_model_family_incl_cord?id=01t3a000004vjod

IPXY rating is based on 3rd party testing and customers should check suitability and test system level IPXY rating before ordering.

PROPRIETARY INFORMATION

PROPRIETARY OF GLOBTEK, INC. ANY REPRODUCTION, DISCLOSURE OR USE OF THIS DRAWING, IN WHOLE OR IN PART, IS HEREBY PROHIBITED EXCEPT AS SPECIFIED IN WRITING BY GLOBTEK, INC. © GlobTek, Inc. 2020 - 2023

quest /10/13/2023 1:33:21 PM CLONED FROM T007001M0T00(R)

GlobTek, Inc. www.globtek.com 186 Veterans Drive, Northvale, NJ 07647 Tel. (201) 784-1000 Fax (201) 784-0111	Drawing Title: T-plug system, Changeable barrel connector system to STRIP AND TIN, ROJ 20±5m, RIJ 5±1 mm, Strain Relife, KZ p/n: MO-8G-85, M8 (ABS), M8 silicon washer, GT Cable #1185 #18 1c+Shield: 18 / 1+C Conductors, 3.5 +/-0.15 mmmm OD, UL STYLE 1185, 80 Deg.C, 300V, Shield 56 Strands 0.12mm2, Approvals: , L=2500+150, -0mm, GlobTek Black
	Model No. Power Cord
	Part No./Ordering No. T001185182M50A00IP21SR Rev B

CUSTOMIZED LENGTHS, COLORS, CABLE TYPES, TERMINATIONS/PLUGS/RECEPTACLES AVAILABLE UPON REQUEST. ADDITIONAL PLUG OPTIONS ARE AVAILABLE AT <https://www.globtek.com/connectors/> STANDARD PLUGS AND CONNECTORS CAN BE SEEN ONLINE AT <https://www.globtek.com/connectors/> ACTUAL CONNECTORS, OVERMOLDS, FERRITES MAY VARY SLIGHTLY FROM THE PICTURE BELOW DIMENSIONS ARE IN MM UNLESS SPECIFIED OTHERWISE

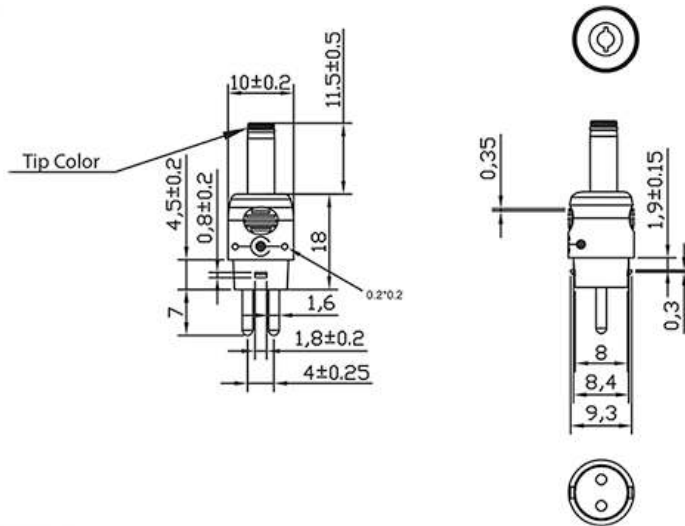
Hanking:SEE DRAWING

Description:See cordset drawing for hanking details

Image:

Notes/Modifications/Customizations (notes in this section supersede the values shown in the standard spec):

Plug tip accessories:



GlobTek, Inc. www.globtek.com 186 Veterans Drive, Northvale, NJ 07647 Tel. (201) 784-1000 Fax (201) 784-0111	Drawing Title: T-plug system, Changeable barrel connector system to STRIP AND TIN, ROJ 20±5m, RIJ 5±1 mm, Strain Relife, KZ p/n: MO-8G-85, M8 (ABS), M8 silicon washer, GT Cable #1185 #18 1c+Shield: 18 / 1+C Conductors, 3.5 +/-0.15 mmmm OD, UL STYLE 1185, 80 Deg.C, 300V, Shield 56 Strands 0.12mm2, Approvals: , L=2500+150, -0mm, GlobTek Black	
	Model No. Power Cord	
	Part No./Ordering No. T001185182M50A00IP21SR	Rev B

CUSTOMIZED LENGTHS, COLORS, CABLE TYPES, TERMINATIONS/PLUGS/RECEPTACLES AVAILABLE UPON REQUEST. ADDITIONAL PLUG OPTIONS ARE AVAILABLE AT <https://www.globtek.com/connectors/> STANDARD PLUGS AND CONNECTORS CAN BE SEEN ONLINE AT <https://www.globtek.com/connectors/> ACTUAL CONNECTORS, OVERMOLDS, FERRITES MAY VARY SLIGHTLY FROM THE PICTURE BELOW DIMENSIONS ARE IN MM UNLESS SPECIFIED OTHERWISE

Part #	CROSS REFERENCE	OUTER DIAMETER	INNER DIAMETER	PIN	LENGTH	FORM FACTOR	MALE/FEMALE	INCLUDED IN T00 KIT	TIP COLOR
T-K-11-S(R)	Philmore® 204/2049	3.5	1.3	-	11	STRAIGHT	Female	Order Separately	Blue
T-EJ2-95-S(R)	Philmore® 240 plug	4	1.7	-	9.5	STRAIGHT	Female	Order Separately	Brown
T-EJ3-95-S(R)	Philmore® 275 plug	4.75	1.7	-	9.5	STRAIGHT	Female	Order Separately	Red
T-C-95-S(R)	Switchcraft® 722A	5.5	2.1	-	9.5	STRAIGHT	Female	Order Separately	Yellow
T-C-12-S(R)	Switchcraft® 722A	5.5	2.1	-	12	STRAIGHT	Female	Order Separately	Yellow
T-L-95-S(R)	Switchcraft® 712A	5.5	2.5	-	9.5	STRAIGHT	Female	Order Separately	Black
T-L-12-S(R)	Switchcraft® 712A	5.5	2.5	-	12	STRAIGHT	Female	Order Separately	Black
T-EJ4-95-S(R)	Philmore® 255 plug	5.5	3.3	1	9.5	STRAIGHT	Female	Order Separately	Orange
T-EJ1-95-S(R)	Philmore® 235 plug	2.35	0.7		9.5	STRAIGHT	Female	Order Separately	Yellow
T-3.2-0.9-9.0-S(R)	CUI PP3-017/ PP-017	3.2	0.9		9	STRAIGHT	Female	Order Separately	Black
T-P-S-STER-14(R)	CUI SP-3501	3.5	-	Stereo	14	STRAIGHT	Male	Order Separately	-
T-P-S-MONO-14(R)	CUI MP3-3501	3.5	-	Mono	14	STRAIGHT	Male	Order Separately	-
T-S-S-MONO-11(R)	CUI MP3-2501	2.5	-	Mono	11	STRAIGHT	Male	Order Separately	-
T-S-S-STER-11(R)	CUI SP-25401	2.5	-	Stereo	11	STRAIGHT	Male	Order Separately	-

GloTek, Inc. www.globtek.com 186 Veterans Drive, Northvale, NJ 07647 Tel. (201) 784-1000 Fax (201) 784-0111	Drawing Title: T-plug system, Changeable barrel connector system to STRIP AND TIN, ROJ 20±5m, RIJ 5±1 mm, Strain Relife, KZ p/n: MO-8G-85, M8 (ABS), M8 silicon washer, GT Cable #1185 #18 1c+Shield: 18 / 1+C Conductors, 3.5 +/-0.15 mmmm OD, UL STYLE 1185, 80 Deg.C, 300V, Shield 56 Strands 0.12mm2, Approvals: , L=2500+150, -0mm, GlobTek Black	
	Model No. Power Cord	
	Part No./Ordering No. T001185182M50A00IP21SR	Rev B

CUSTOMIZED LENGTHS, COLORS, CABLE TYPES, TERMINATIONS/PLUGS/RECEPTACLES AVAILABLE UPON REQUEST. ADDITIONAL PLUG OPTIONS ARE AVAILABLE AT <https://www.globtek.com/connectors/> STANDARD PLUGS AND CONNECTORS CAN BE SEEN ONLINE AT <https://www.globtek.com/connectors/> ACTUAL CONNECTORS, OVERMOLDS, FERRITES MAY VARY SLIGHTLY FROM THE PICTURE BELOW DIMENSIONS ARE IN MM UNLESS SPECIFIED OTHERWISE

Option upon request: STRAIGHT Female Barrels are available for special order in any length between 9mm-14mm
This novel system allows for rapid shipment of prototype samples or small quantities of common output voltage and current which can fulfill the needs of most common barrel plug as well as male plug specs. The table explains the standard and non-standard options available as part of this system. This system also allows for both Center Positive and Center Negative polarity.
The T00 plug and adapters are Medical Grade, single use only, Polarized after installation, and not removable without use of special tool.
Any of the below options, and more, are available as molded plugs from stock or special order. Please contact GlobTek for more information