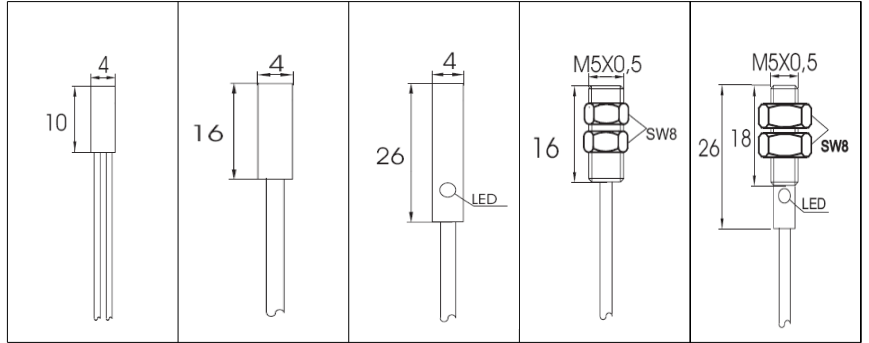


Inductive Proximity Sensors 4mm, M5, 6mm, M6, 8mm

Standard Length
Extended Sensing
3 Wire DC
NAMUR



(Wiring Schematic)

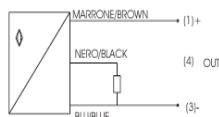
3 Wire DC	PNP – Normally Open	(1)	-	-	IMA324.8C	-	IMC325.8C
	PNP – Normally Closed	(1)	-	-	IMA334.8C	-	IMC335.8C
	PNP – Selectable	(4)	-	-	-	-	-
	NPN – Normally Open	(2)	-	-	IMA224.8C	-	IMC225.8C
	NPN – Normally Closed	(2)	-	-	IMA234.8C	-	IMC235.8C
	NPN – Selectable	(5)	-	-	-	-	-
NAMUR		(3)	IMA734.8W	IMA734.8C	-	IMC735.8C	-
			-	-	-	-	-
			-	-	-	-	-
			-	-	-	-	-

Mating cables / connectors

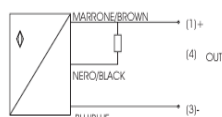
Form	4mm Shielded	4mm Shielded	4mm Shielded	M5 Shielded	M5 Shielded
Nominal Sensing Distance (Sn)	0.8mm	0.8mm	0.8mm	0.8mm	0.8mm
Housing Material	Stainless Steel				
Termination Type	0.5 Meter Wires	2.0 Meter Cable	2.0 Meter Cable	2.0 Meter Cable	2.0 Meter Cable
Min / Max Supply Voltage	3 to 24Vdc	3 to 24Vdc	10 to 30Vdc	3 to 24Vdc	10 to 30Vdc
Max. Load Current (I _r)	n/a	n/a	150mA	n/a	150mA
Max ripple factor (V _r)	≤ 10%				
Voltage Drop (U _d)	n/a	n/a	≤ 1V	n/a	≤ 1V
Power Consumption (I _o)	*	*	≤ 10mA	*	≤ 10mA
Switching Frequency (Hz)	5kHz	5kHz	2kHz	5kHz	2kHz
Repeatability	< 2% nominal sensing distance				
Hysteresis	≤ 10% Sn				
Short Circuit Protection	n/a	n/a	Yes	n/a	Yes
Output LED	n/a	n/a	Yes	n/a	Yes
Operating Temperature	-25 to +70 C				
IP Rating	IP67				

* <1mA with object, >4mA without object

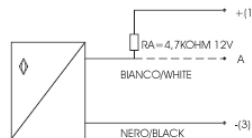
Wiring Diagram



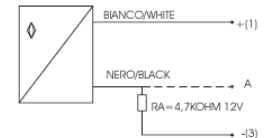
(1) PNP



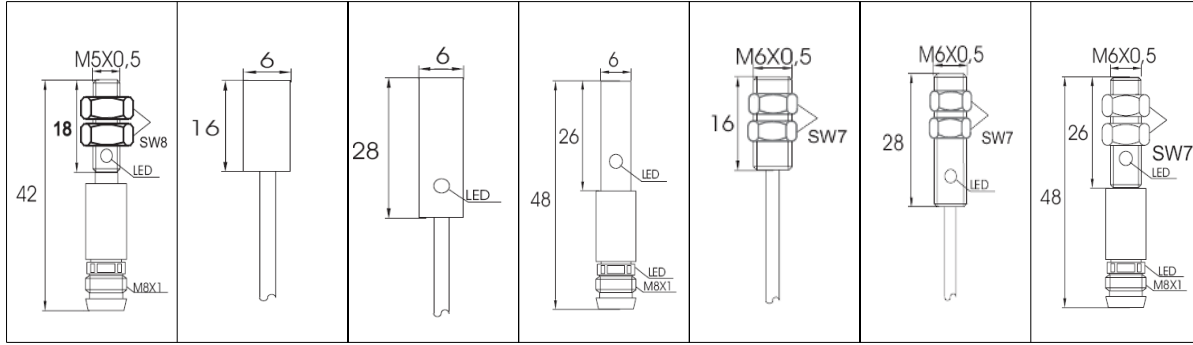
(2) NPN



(3) NAMUR

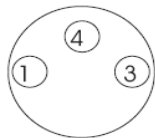


(3) NAMUR



PNP – NO	IMC325.8M8	-	IMA3261C	IMA3261M8	-	IMC3261C	IMC3261M8
PNP – NC	IMC335.8M8	-	IMA3361C	IMA3361M8	-	IMC3361C	IMC3361M8
PNP – NO/NC	-	-	-	-	-	-	-
NPN – NO	IMC225.8M8	-	IMA2261C	IMA2261M8	-	IMC2261C	IMC2261M8
NPN – NC	IMC235.8M8	-	IMA2361C	IMA2361M8	-	IMC2361C	IMC2361M8
NPN – NO/NC	-	-	-	-	-	-	-
NAMUR	-	IMA7361C	-	-	IMA7361C	-	-
	-	-	-	-	-	-	-
	-	-	-	-	-	-	-
	-	-	-	-	-	-	-
Mates							
Form	M5 Non-Shielded	6mm Shielded	6mm Shielded	6mm Shielded	M6 Shielded	M6 Shielded	M6 Shielded
Sn	0.8mm	1mm	1mm	1mm	1mm	1mm	1mm
Housing	Stainless Steel						
Termination	M8 Connector	2.0 Meter Cable	2.0 Meter Cable	M8 Connector	2.0 Meter Cable	2.0 Meter Cable	M8 Connector
Supply Vdc	10 to 30Vdc	3 to 24Vdc	10 to 30Vdc	10 to 30Vdc	3 to 24Vdc	10 to 30Vdc	10 to 30Vdc
Max Load	150mA	n/a	150mA	150mA	n/a	150mA	150mA
Max ripple	≤ 10%						
Ud	≤ 1V	n/a	≤ 1V	≤ 1V	n/a	≤ 1V	≤ 1V
Io	≤ 10mA	*	≤ 10mA	≤ 10mA	*	≤ 10mA	≤ 10mA
Hz	2kHz	5kHz	2kHz	2kHz	5kHz	2kHz	2kHz
Repeatability	< 2% nominal sensing distance						
Hysteresis	≤ 10% Sn						
Short Protection	Yes	n/a	Yes	Yes	n/a	Yes	Yes
LED	Yes	n/a	Yes	Yes	n/a	Yes	Yes
Op Temp	-25 to +70 C						
IP Rating	IP67						

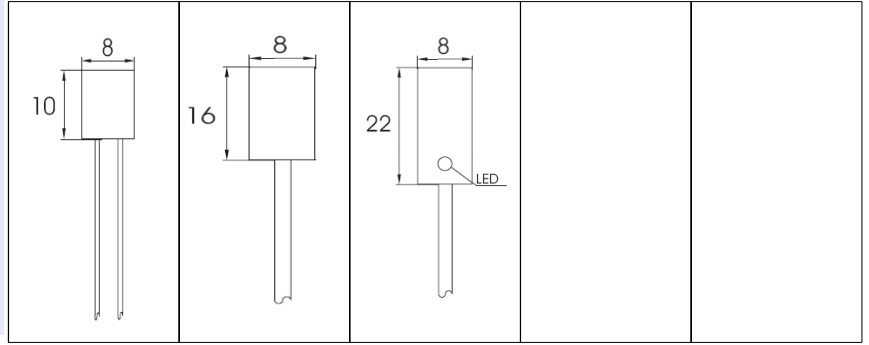
* <1mA with object, >4mA without object



1 + MARRONE / BROWN
 4 OUT NERO / BLACK
 3 - BLU / BLUE

Inductive Proximity Sensors 4mm, M5, 6mm, M6, 8mm

Standard Length
Extended Sensing
3 Wire DC
NAMUR



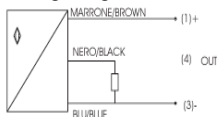
(Wiring Schematic)

3 Wire DC	PNP – Normally Open	(1)	-	-	IMA3281C		
	PNP – Normally Closed	(1)	-	-	IMA3381C		
	PNP – Selectable	(4)	-	-	-		
	NPN – Normally Open	(2)	-	-	IMA2281C		
	NPN – Normally Closed	(2)	-	-	IMA2381C		
	NPN – Selectable	(5)	-	-	-		
NAMUR			IMA7381W	IMA7381C	-	-	-
			-	-	-	-	-
			-	-	-	-	-
			-	-	-	-	-

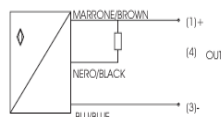
Mating cables / connectors

Form	8mm Shielded	8mm Shielded	8mm Shielded		
Nominal Sensing Distance (Sn)	4mm	8mm	4mm		
Housing Material	Stainless Steel	Stainless Steel	Stainless Steel		
Termination Type	0.5 Meter Wires	2.0 Meter Cable	2.0 Meter Cable		
Min / Max Supply Voltage	3 to 24Vdc	3 to 24Vdc	10 to 30Vdc		
Max. Load Current (Ir)	n/a	n/a	200mA		
Max ripple factor (Vr)			≤ 10%		
Voltage Drop (Ud)	n/a	n/a	≤ 3V @ 200mA		
Power Consumption (Io)	*	*	≤ 10mA		
Switching Frequency (Hz)	4kHz	4kHz	3kHz		
Repeatability	< 2% nominal sensing distance				
Hysteresis	≤ 10% Sn				
Short Circuit Protection	n/a	n/a	Yes		
Output LED	n/a	n/a	Yes		
Operating Temperature	-25 to +70 C				
IP Rating	IP67				

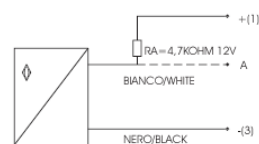
Wiring Diagram



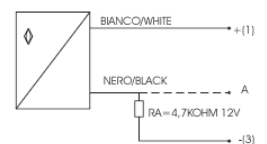
(1) PNP



(2) NPN



(3) NAMUR



(3) NAMUR



Inductive Proximity Sensors

--	--	--	--	--	--	--

PNP – NO						
PNP – NC						
PNP – NO/NC						
NPN – NO						
NPN – NC						
NPN – NO/NC	-	-	-	-	-	-
NAMUR	-	-	-	-	-	-
	-	-	-	-	-	-
	-	-	-	-	-	-

Mates						
Form						
Sn						
Housing						
Termination						
Supply Vdc						
Max Load						
Max ripple						
Ud						
Io						
Hz						
Repeatability						
Hysteresis						
Short Protection						
LED						
Op Temp						
IP Rating						

For Technical Assistance and / or Customer Service, call 800/677-5311, www.crouzet-usa.com
