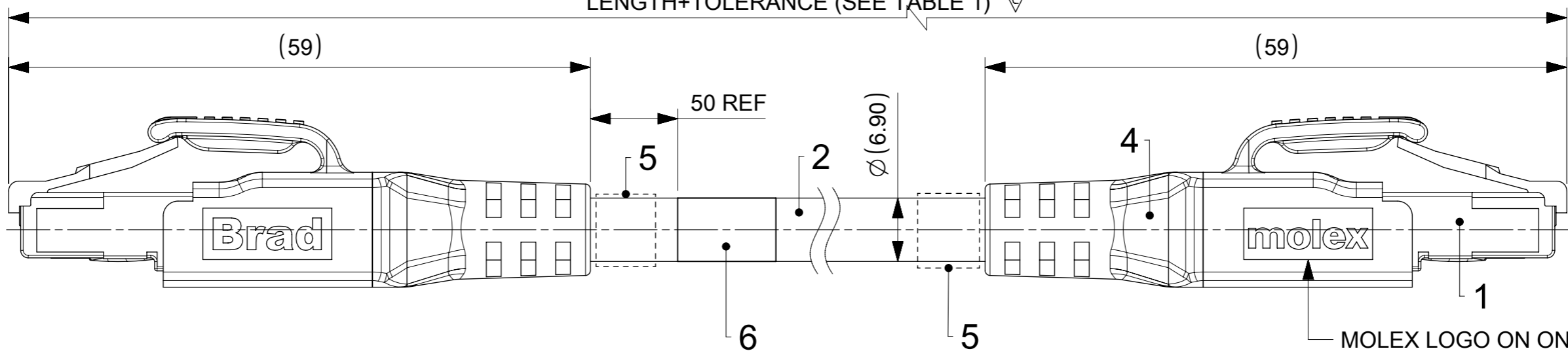
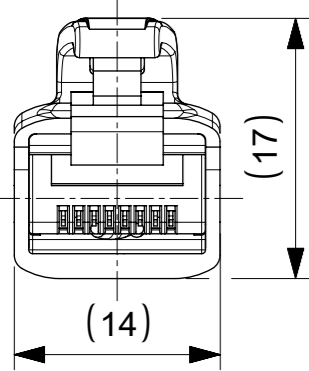
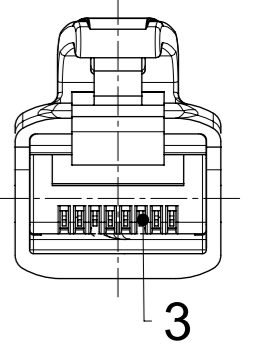


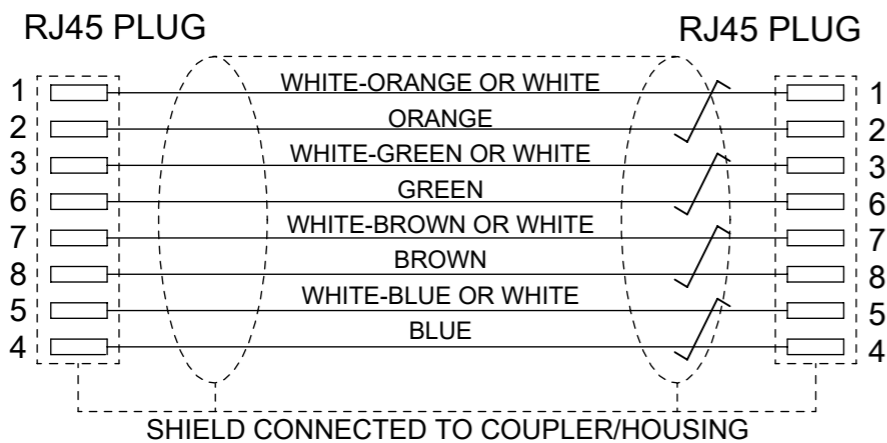
RJ45 PLUG FRONT VIEW



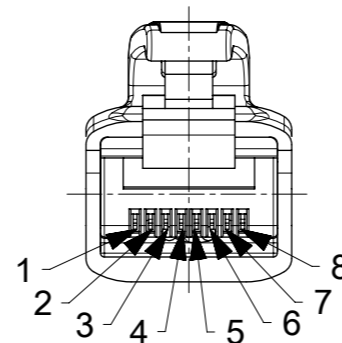
RJ45 PLUG FRONT VIEW



WIRING DIAGRAM



RJ45 PLUG FRONT VIEW



5 ID CARRIER ONLY FOR ENGINEERING NUMBERS WITH THE SUFFIX "H"

MOLEX LOGO ON ONE SIDE  
BRAD LOGO ON OTHER SIDE

NOTES:

VOLTAGE RATING: 30 V A.C. OR 42 V D.C.

CURRENT RATING: 0.5 A

TEMPERATURE RATING:

STATIC: -40 °C TO 80 °C

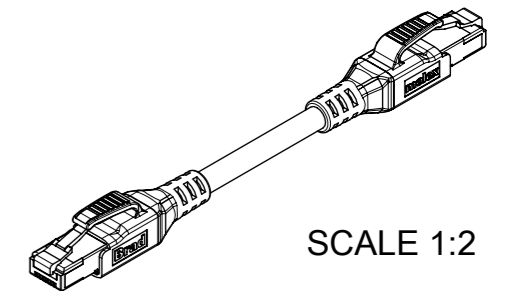
DYNAMIC: -20 °C TO 80 °C

IP RATING: IP 20

TRANSMISSION CHARACTERISTICS ACCORDING TO ISO/IEC 11801 CLASS E<sub>A</sub> CHANNEL,

WITH INSERTION LOSS BEING IGNORED FOR CABLE LENGTHS <1 m OR >65 m

PACKAGING: CORDSETS ARE PACKED IN A POLYBAG



SCALE 1:2

BILL OF MATERIAL

ITEM	QTY	DESCRIPTION	MATERIAL	FINISH/COLOR
1	2	RJ45-PLUG 8P8C SHLD LONG BODY	-	-
2	1	CABLE 4X2X26/7AWG DIA 6.9	PUR	GREEN
3	16	CONTACT RJ45	PHOSPHOR BRONZE	SELECTIVE Au PLATED
4	-	OVERMOLD	TPU	BLACK
5	2	I/D CARRIER 6-10mmx30mm	PVC	TRANSPARENT
6	1	LABEL 2.0X1.75	VINYL	YELLOW

DOCUMENT STATUS	P1	RELEASE DATE	2023/05/09	14:34:39
-----------------	----	--------------	------------	----------

FUNCTIONAL SYMBOLS	THIS DRAWING CONTAINS INFORMATION THAT IS PROPRIETARY TO MOLEX ELECTRONIC TECHNOLOGIES, LLC AND SHOULD NOT BE USED WITHOUT WRITTEN PERMISSION	CURRENT REV DESC:		<b>molex</b>																																																
	<table border="1"> <tr> <th>FUNCTIONAL SYMBOLS</th> <th>DIMENSION UNITS</th> <th>SCALE</th> </tr> <tr> <td><math>\nabla_A = 0</math></td> <td>mm</td> <td>2:1</td> </tr> <tr> <td><math>\nabla_E = 1</math></td> <td colspan="2">GENERAL TOLERANCES (UNLESS SPECIFIED)</td> </tr> <tr> <td><math>\nabla_F = 0</math></td> <td colspan="2">ANGULAR TOL <math>\pm 1.0^\circ</math></td> </tr> <tr> <td></td> <td>4 PLACES</td> <td><math>\pm</math></td> </tr> <tr> <td></td> <td>3 PLACES</td> <td><math>\pm</math></td> </tr> <tr> <td></td> <td>2 PLACES</td> <td><math>\pm 0.05</math></td> </tr> <tr> <td></td> <td>1 PLACE</td> <td><math>\pm 0.3</math></td> </tr> <tr> <td></td> <td>0 PLACES</td> <td><math>\pm 0.5</math></td> </tr> </table>	FUNCTIONAL SYMBOLS	DIMENSION UNITS					SCALE	$\nabla_A = 0$	mm	2:1	$\nabla_E = 1$	GENERAL TOLERANCES (UNLESS SPECIFIED)		$\nabla_F = 0$	ANGULAR TOL $\pm 1.0^\circ$			4 PLACES	$\pm$		3 PLACES	$\pm$		2 PLACES	$\pm 0.05$		1 PLACE	$\pm 0.3$		0 PLACES	$\pm 0.5$	<table border="1"> <tr> <td>EC NO: 748912</td> <td>2023/05/09</td> </tr> <tr> <td>DRWN: ARPITT</td> <td>2023/05/09</td> </tr> <tr> <td>CHK'D: RSILLER</td> <td>2023/05/09</td> </tr> <tr> <td>APPR: RSILLER</td> <td>2023/05/09</td> </tr> </table>		EC NO: 748912	2023/05/09	DRWN: ARPITT	2023/05/09	CHK'D: RSILLER	2023/05/09	APPR: RSILLER	2023/05/09	<table border="1"> <tr> <td colspan="3">PRODUCT CUSTOMER DRAWING</td> </tr> <tr> <td>DOCUMENT NUMBER</td> <td>DOC TYPE</td> <td>DOC PART</td> <td>REVISION</td> </tr> <tr> <td>1203410600</td> <td>PSD</td> <td>000</td> <td>A5</td> </tr> </table>				PRODUCT CUSTOMER DRAWING			DOCUMENT NUMBER	DOC TYPE	DOC PART
FUNCTIONAL SYMBOLS	DIMENSION UNITS	SCALE																																																		
$\nabla_A = 0$	mm	2:1																																																		
$\nabla_E = 1$	GENERAL TOLERANCES (UNLESS SPECIFIED)																																																			
$\nabla_F = 0$	ANGULAR TOL $\pm 1.0^\circ$																																																			
	4 PLACES	$\pm$																																																		
	3 PLACES	$\pm$																																																		
	2 PLACES	$\pm 0.05$																																																		
	1 PLACE	$\pm 0.3$																																																		
	0 PLACES	$\pm 0.5$																																																		
EC NO: 748912	2023/05/09																																																			
DRWN: ARPITT	2023/05/09																																																			
CHK'D: RSILLER	2023/05/09																																																			
APPR: RSILLER	2023/05/09																																																			
PRODUCT CUSTOMER DRAWING																																																				
DOCUMENT NUMBER	DOC TYPE	DOC PART	REVISION																																																	
1203410600	PSD	000	A5																																																	
DIVISIONAL SYMBOLS	<table border="1"> <tr> <td>DRWN: MDHARMANTI</td> <td>2019/10/10</td> </tr> <tr> <td>APPR: RSILLER</td> <td>2019/10/15</td> </tr> </table>	DRWN: MDHARMANTI	2019/10/10	APPR: RSILLER	2019/10/15	<table border="1"> <tr> <td>THIRD ANGLE PROJECTION</td> <td>DRAWING</td> <td>SERIES</td> <td>MATERIAL NUMBER</td> <td>CUSTOMER</td> <td>SHEET NUMBER</td> </tr> <tr> <td><math>\nabla</math></td> <td>A3-SIZE</td> <td>120341</td> <td>SEE TABLE 1</td> <td>GENERAL MARKET</td> <td>1 OF 2</td> </tr> </table>	THIRD ANGLE PROJECTION	DRAWING	SERIES	MATERIAL NUMBER	CUSTOMER	SHEET NUMBER	$\nabla$	A3-SIZE	120341	SEE TABLE 1	GENERAL MARKET	1 OF 2																																		
DRWN: MDHARMANTI	2019/10/10																																																			
APPR: RSILLER	2019/10/15																																																			
THIRD ANGLE PROJECTION	DRAWING	SERIES	MATERIAL NUMBER	CUSTOMER	SHEET NUMBER																																															
$\nabla$	A3-SIZE	120341	SEE TABLE 1	GENERAL MARKET	1 OF 2																																															

TABLE 1

MOLEX PN	ENGINEERING NO.	DESCRIPTION	LENGTH [mm]
1203410600	E66E06020M005	CSE RJ45 CAT6A 8P 0C FE STR PUR GREEN 0.5M	500
1203410601	E66E06020M010	CSE RJ45 CAT6A 8P 0C FE STR PUR GREEN 1M	1000
1203410602	E66E06020M020	CSE RJ45 CAT6A 8P 0C FE STR PUR GREEN 2M	2000
1203410603	E66E06020M030	CSE RJ45 CAT6A 8P 0C FE STR PUR GREEN 3M	3000
1203410604	E66E06020M040	CSE RJ45 CAT6A 8P 0C FE STR PUR GREEN 4M	4000
1203410605	E66E06020M050	CSE RJ45 CAT6A 8P 0C FE STR PUR GREEN 5M	5000
1203410606	E66E06020M100	CSE RJ45 CAT6A 8P 0C FE STR PUR GREEN 10M	10000
1203410607	E66E06020M150	CSE RJ45 CAT6A 8P 0C FE STR PUR GREEN 15M	15000
1203410960	E66E06020M200	CSE RJ45 CAT6A 8P 0C FE STR PUR GREEN 20M	20000
1203410862	E66E06020M250	CSE RJ45 CAT6A 8P 0C FE STR PUR GREEN 25M	25000
1203410961	E66E06020M300	CSE RJ45 CAT6A 8P 0C FE STR PUR GREEN 30M	30000
1203410962	E66E06020M400	CSE RJ45 CAT6A 8P 0C FE STR PUR GREEN 40M	40000
1203410963	E66E06020M500	CSE RJ45 CAT6A 8P 0C FE STR PUR GREEN 50M	50000
1203410909	E66E06020M550	CSE RJ45 CAT6A 8P 0C FE STR PUR GREEN 55M	55000
1203410964	E66E06020M600	CSE RJ45 CAT6A 8P 0C FE STR PUR GREEN 60M	60000
1203410910	E66E06020M650	CSE RJ45 CAT6A 8P 0C FE STR PUR GREEN 65M	65000
1203410965	E66E06020M700	CSE RJ45 CAT6A 8P 0C FE STR PUR GREEN 70M	70000
1203410966	E66E06020M800	CSE RJ45 CAT6A 8P 0C FE STR PUR GREEN 80M	80000
1203410934	E66E06020M900	CSE RJ45 CAT6A 8P 0C FE STR PUR GREEN 90M	90000
WITH ID CARRIER			
1203410608	E66E06020M005H	CSE RJ45 CAT6A 8P 0C FE STR PUR GREEN 0.5M-ID	500
1203410609	E66E06020M010H	CSE RJ45 CAT6A 8P 0C FE STR PUR GREEN 1M-ID	1000
1203410610	E66E06020M020H	CSE RJ45 CAT6A 8P 0C FE STR PUR GREEN 2M-ID	2000
1203410967	E66E06020M030H	CSE RJ45 CAT6A 8P 0C FE STR PUR GREEN 3M-ID	3000
1203410611	E66E06020M050H	CSE RJ45 CAT6A 8P 0C FE STR PUR GREEN 5M-ID	5000
1203410971	E66E06020M060H	CSE RJ45 CAT6A 8P 0C FE STR PUR GREEN 6M-ID	6000
1203410970	E66E06020M080H	CSE RJ45 CAT6A 8P 0C FE STR PUR GREEN 8M-ID	8000
1203410612	E66E06020M100H	CSE RJ45 CAT6A 8P 0C FE STR PUR GREEN 10M-ID	10000
1203410613	E66E06020M150H	CSE RJ45 CAT6A 8P 0C FE STR PUR GREEN 15M-ID	15000
1203410969	E66E06020M170H	CSE RJ45 CAT6A 8P 0C FE STR PUR GREEN 17M-ID	17000
1203410620	E66E06020M200H	CSE RJ45 CAT6A 8P 0C FE STR PUR GREEN 20M-ID	20000
1203410973	E66E06020M250H	CSE RJ45 CAT6A 8P 0C FE STR PUR GREEN 25M-ID	25000
1203410621	E66E06020M300H	CSE RJ45 CAT6A 8P 0C FE STR PUR GREEN 30M-ID	30000
1203410622	E66E06020M400H	CSE RJ45 CAT6A 8P 0C FE STR PUR GREEN 40M-ID	40000
1203410968	E66E06020M460H	CSE RJ45 CAT6A 8P 0C FE STR PUR GREEN 46M-ID	46000
1203410623	E66E06020M500H	CSE RJ45 CAT6A 8P 0C FE STR PUR GREEN 50M-ID	50000
1203410972	E66E06020M530H	CSE RJ45 CAT6A 8P 0C FE STR PUR GREEN 53M-ID	53000
1203410624	E66E06020M600H	CSE RJ45 CAT6A 8P 0C FE STR PUR GREEN 60M-ID	60000
1203410625	E66E06020M700H	CSE RJ45 CAT6A 8P 0C FE STR PUR GREEN 70M-ID	70000
1203410913	E66E06020M800H	CSE RJ45 CAT6A 8P 0C FE STR PUR GREEN 80M-ID	80000

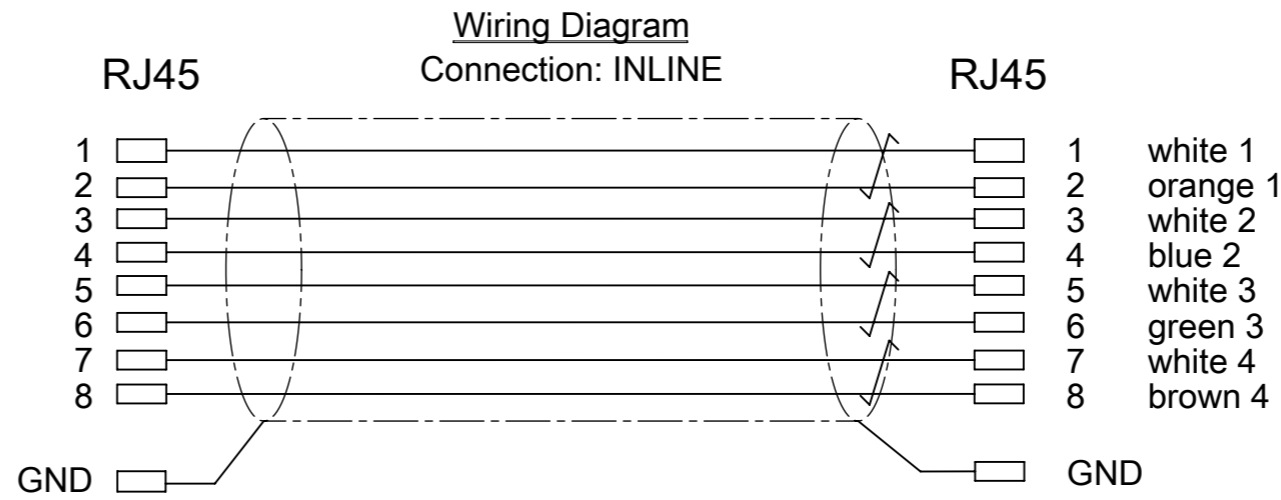
CABLE LENGTH TOLERANCES

LENGTH	TOLERANCE
0 m - 1 m	+40 mm
>1 m - 5 m	+60 mm
>5 m - 10 m	+80 mm
>10 m - 20 m	+140 mm
>20 m - 30 m	+160 mm
>30 m	+1% length

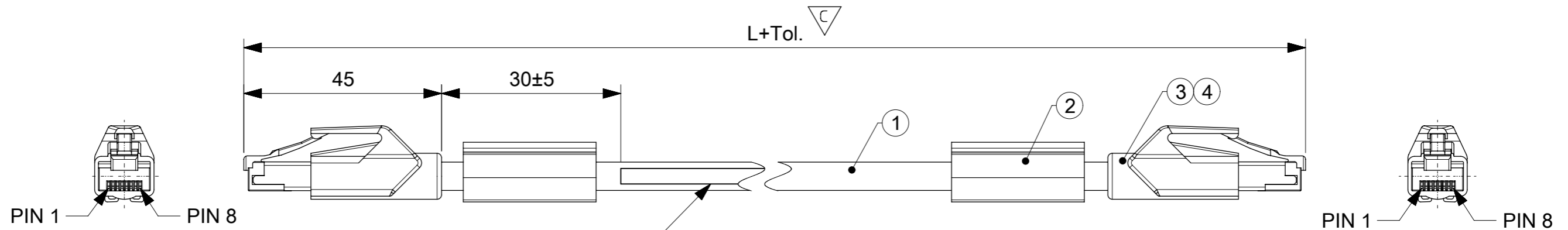
FUNCTIONAL SYMBOLS	THIS DRAWING CONTAINS INFORMATION THAT IS PROPRIETARY TO MOLEX ELECTRONIC TECHNOLOGIES, LLC AND SHOULD NOT BE USED WITHOUT WRITTEN PERMISSION	SCALE		CURRENT REV DESC:	<b>molex</b>													
	<table border="1"> <tr><td>mm</td><td>1:1</td></tr> </table>	mm	1:1			GENERAL TOLERANCES (UNLESS SPECIFIED)												
mm	1:1																	
<table border="1"> <tr><td>ANGULAR TOL</td><td>± 1.0 °</td></tr> <tr><td>4 PLACES</td><td>±</td></tr> <tr><td>3 PLACES</td><td>±</td></tr> <tr><td>2 PLACES</td><td>± 0.05</td></tr> <tr><td>1 PLACE</td><td>± 0.3</td></tr> <tr><td>0 PLACES</td><td>± 0.5</td></tr> </table>	ANGULAR TOL	± 1.0 °	4 PLACES	±	3 PLACES	±	2 PLACES	± 0.05	1 PLACE	± 0.3	0 PLACES	± 0.5	EC NO: 748912	2023/05/09	DOCUMENT NUMBER	DOC TYPE	DOC PART	REVISION
ANGULAR TOL	± 1.0 °																	
4 PLACES	±																	
3 PLACES	±																	
2 PLACES	± 0.05																	
1 PLACE	± 0.3																	
0 PLACES	± 0.5																	
DIVISIONAL SYMBOLS	DRWN: ARPITT	2023/05/09	1203410600	PSD	000	A5												
	APPR: RSILLER	2023/05/09					PRODUCT CUSTOMER DRAWING											
	INITIAL REVISION:	2019/10/10																
	DRWN: MDHARMANTI	2019/10/15																
	APPR: RSILLER																	
DRAFT WHERE APPLICABLE MUST REMAIN WITHIN DIMENSIONS	THIRD ANGLE PROJECTION	DRAWING	SERIES	MATERIAL NUMBER	CUSTOMER	SHEET NUMBER												
		A3-SIZE	120341	SEE TABLE 1	GENERAL MARKET	2 OF 2												

**CABLE SPECIFICATION:**

CONDUCTOR:  
SECTION 4x2x26AWG  
JACKET:  
MATERIAL: PUR  
COLOR: TEAL  
DIAMETER: 6.4mm  
TEMPERATURE RANGE:  
DINAMIC: -10°C TO +50°C  
STATIC: -40°C TO +70°C  
MAX. OPERATING VOLTAGE: 125V



PAIRS OF WIRES  
PAIR 1: WHITE 1 - ORANGE 1  
PAIR 2: WHITE 2 - GREEN 2  
PAIR 3: WHITE 3 - BROWN 3  
PAIR 4: WHITE 4 - BLUE 4



CABLE PRINTING:  
MOLEX ETHERNET CABLE CAT6A 4x2x26 MOLEX PN DATACODE

SEE TABLE 1  
DATE ACC. TO WN-00001

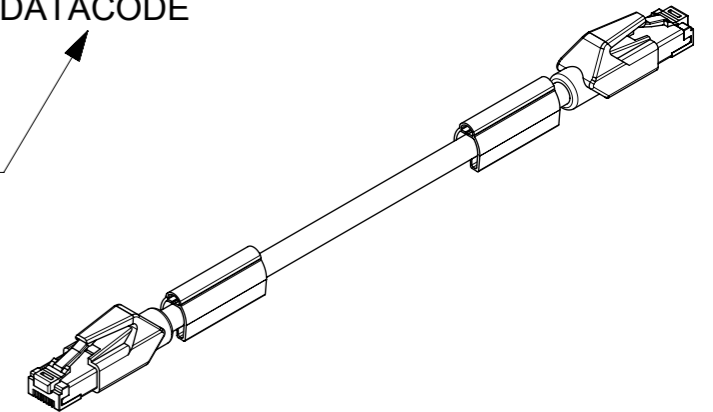


TABLE 1

MOLEX PN	L[mm]	ENGINEERING PN
1203410608	500	E66E06020M005H
1203410609	1000	E66E06020M010H
1203410610	2000	E66E06020M020H
1203410611	5000	E66E06020M050H
1203410612	10000	E66E06020M100H
1203410613	15000	E66E06020M150H
1203410620	20000	E66E06020M200H
1203410621	30000	E66E06020M300H
1203410622	40000	E66E06020M400H
1203410623	50000	E66E06020M500H
1203410624	60000	E66E06020M600H
1203410625	70000	E66E06020M700H

OVER	UP TO AND INCLUDING	TOLERANCE
0	305	+19
305	915	+45
915	1830	+56
1830	3660	+89
3660	7320	+165
7320	14640	+317
14640	30500	+610
30500	>	+2% OF LENGTH

**BILL OF MATERIALS**

ITEM	QTY.	DESCRIPTION	MATERIAL	FINISH
4	-	TAPE	COPPER	-
3	2	PLUG RJ45	-	-
2	2	ID CARRIER	-	-
1	-	CABLE 26AWG D6.4	PUR	-

FUNCTIONAL SYMBOLS FA = 0 FE = 0 FE = 0	THIS DRAWING CONTAINS INFORMATION THAT IS PROPRIETARY TO MOLEX ELECTRONIC TECHNOLOGIES, LLC AND SHOULD NOT BE USED WITHOUT WRITTEN PERMISSION	SCALE 1:1	CURRENT REV DESC:		
	GENERAL TOLERANCES (UNLESS SPECIFIED)	mm	molex		
DIVISIONAL SYMBOLS	ANGULAR TOL ± °	4 PLACES ±	CSE RJ45 CAT6A 8P 0C FE STR PUR XM-ID		
	3 PLACES ±	3 PLACES ±	PRODUCT CUSTOMER DRAWING		
2 PLACES ±	2 PLACES ±	INITIAL REVISION:			
1 PLACE ±	1 PLACE ±	DRWN: DSTACHOWIAK 2017/05/29			
0 PLACES ±	0 PLACES ±	APPR: MIWASIECZKO 2017/06/05			
DRAFT WHERE APPLICABLE MUST REMAIN WITHIN DIMENSIONS	THIRD ANGLE PROJECTION	DRAWING	SERIES	MATERIAL NUMBER	CUSTOMER
		A3-SIZE	120341	SEE TABLE 1	GENERAL MARKET