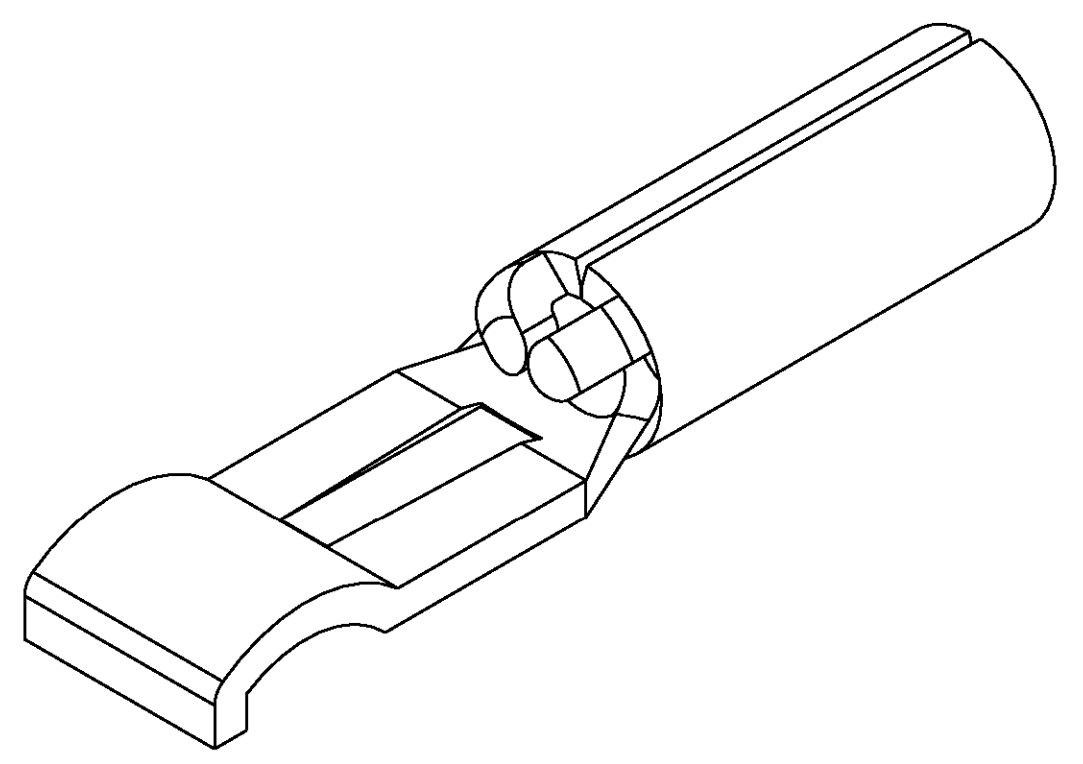
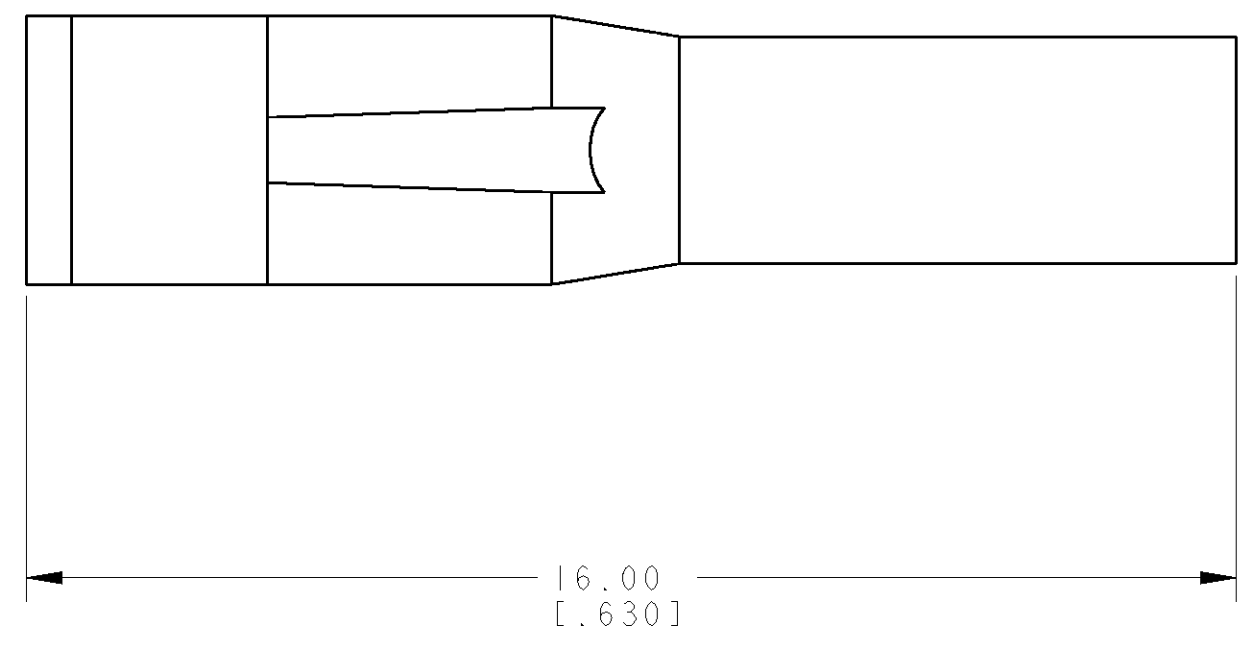
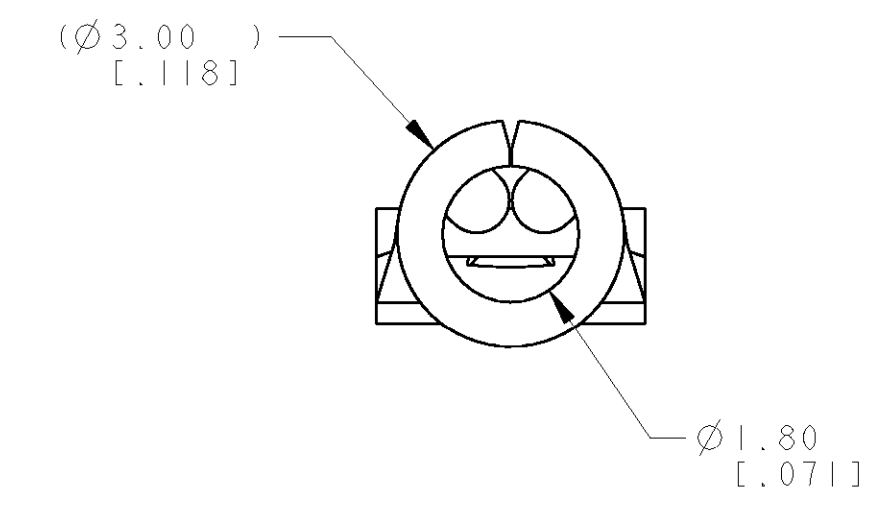
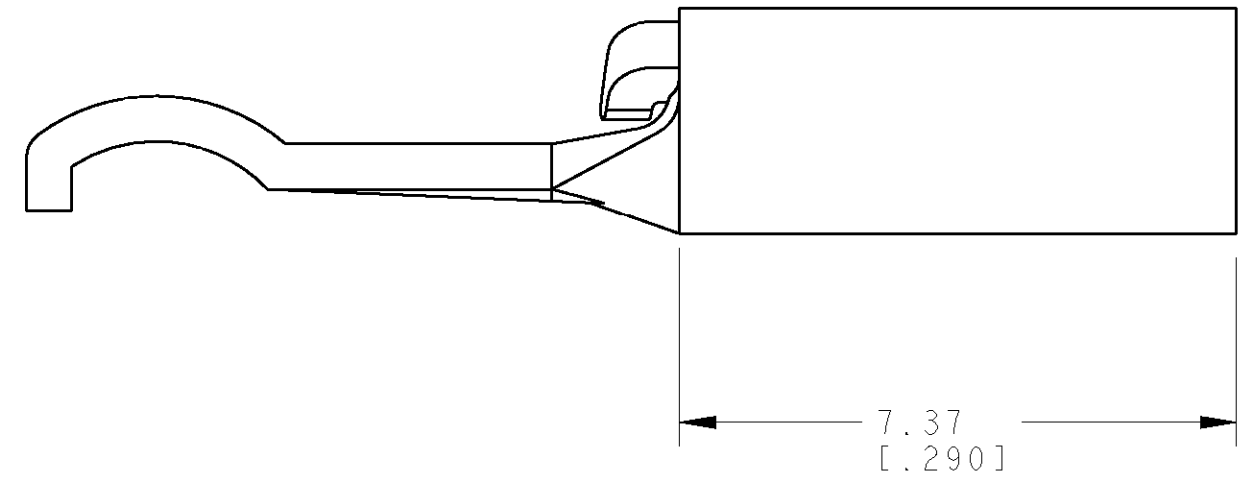
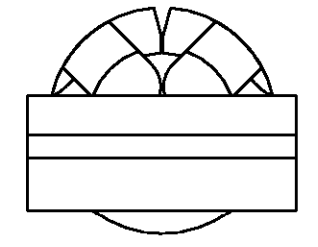
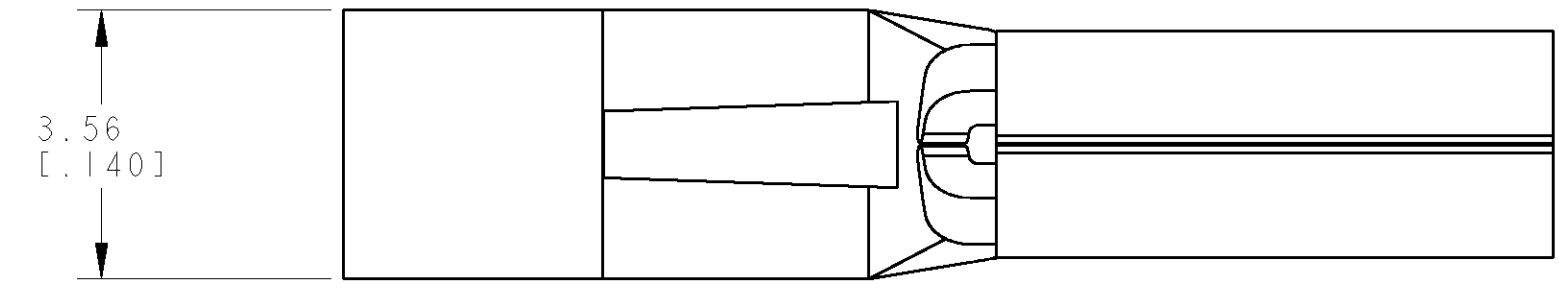


LOC		DIST		REVISIONS			
CM	00	P	LTR	DESCRIPTION	DATE	DWN	APVD
		0		REVISED PER 0638-1032-04	10NOV04	KW	JE



1744042-1
PART NUMBER

METRIC

<small>THE DIMENSIONS IN THIS DRAWING ARE UNLESS OTHERWISE SPECIFIED IN MILLIMETERS OR INCHES. DIMENSIONS ARE TO BE TAKEN TO THE CENTER OF THE PART UNLESS OTHERWISE SPECIFIED.</small>		DWN B. WHITAKER 10NOV2004 CHK J. ELLIS 10NOV2004 APVD J. ELLIS 10NOV2004	tyco Tyco Electronics Harrisburg, PA 17105-3608
DIMENSIONS: mm [INCHES]	TOLERANCES UNLESS OTHERWISE SPECIFIED:	PRODUCT SPEC - APPLICATION SPEC - WEIGHT - CUSTOMER DRAWING	NAME LOOSE PIECE CONTACT, 16 - 20 AWG, AMP POWER SERIES 15 SIZE CAGE CODE DRAWING NO A100779C=1744042 RESTRICTED TO -
0 PLC ± 1 PLC ±0.5 [0.02] 2 PLC ±0.13 [0.005] 3 PLC ± 4 PLC ± ANGLES ±40° 30'	FINISH SILVER	SCALE 10:1 SHEET 1 OF 1 REV 0	