

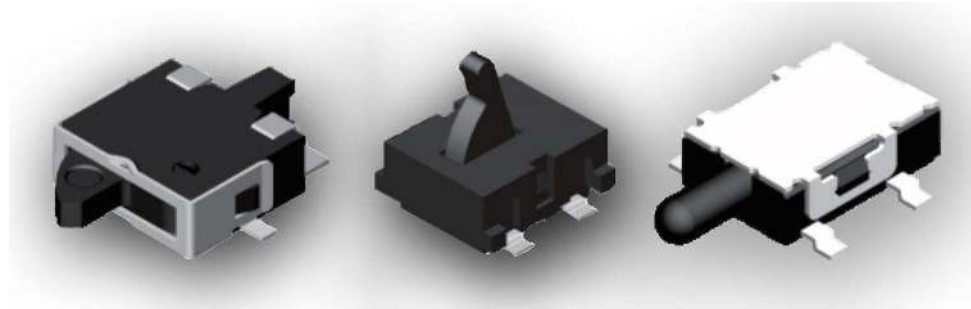
Applications

- Automotive
- Instrumentation
- White goods
- Telecommunications

Benefits

- RoHS Compliant
- Halogen and Lead Free
- Sharp detection feeling
- Compact Size

JJ Series – Detector Switches



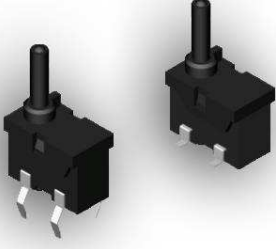
TE Connectivity is pleased to introduce its JJ Series of Detector Switches, suitable for a wide variety of applications given their several presentations ranging from horizontal or vertical actuated options as well as Gull-winged, J-leaded and Through-Hole mounting possibilities.

The Detector Switches will be offered in a wide range of sizes giving the possibility for countless applications going from automotive to telecommunications.

JJ Series – Family Classification

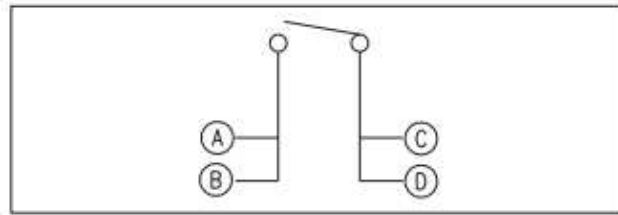
Series	Body Size
JJA	3.5x2.8 mm
JJB	3.5x2.98 mm
JJC	3.5x3.3 mm
JJD	4.2x3.6 mm
JJE	4.7x3.5 mm
JJF	4.7x3.8 mm
JJG	5.7x4.0 mm (High-Rating)
JJH	5.7x4.0 mm (Standard-Rating)
JJI	5.0x4.4 mm
JJJ	6.0x4.85 mm / 5.5x4.7 mm
JJK	6.3x3.0 mm
JJL	6.5x3.9 mm
JJM	5.7x4.0 mm
JJN	5.7x4.0 mm (Wedge)
JJO	10.0x3.8 mm
JJP	10.6x10.0 mm

JJL Family – 6.5x3.9 mm

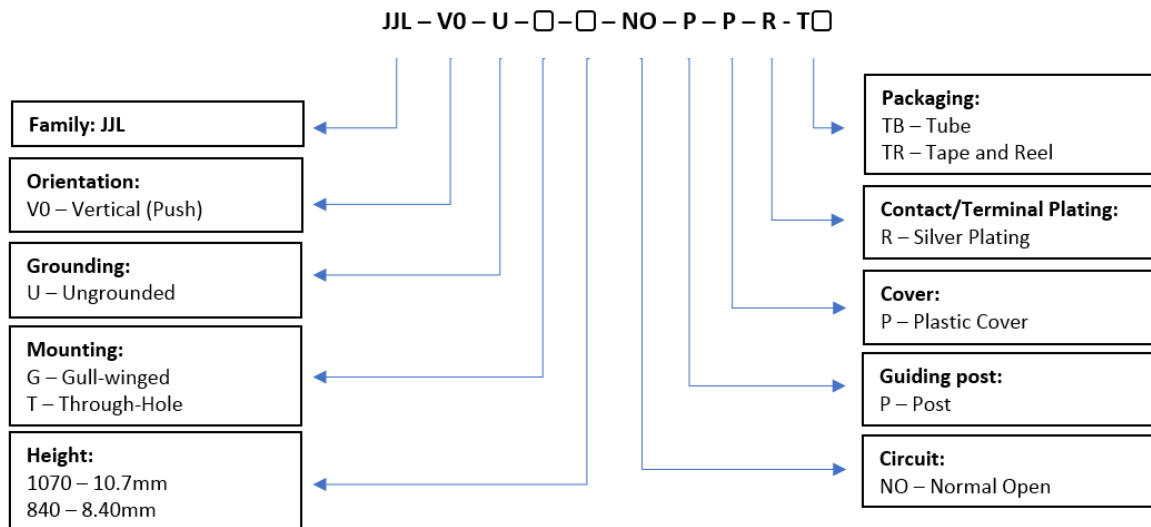
	Contact Rating	5mA, 5VDC
	Contact Resistance	500mΩ Max.
	Insulation Resistance	100MΩ Min. 250VDC
	Dielectric Strength	250VAC/1 minute
	Operating Force	35gF Max.
	Travel	2.00mm
	Operating Life	50,000 cycles
	Operating Temperature	-20°C to 70°C
	Storage Temperature	-30°C to 80°C

Features	Applications
<ul style="list-style-type: none"> THT and SMT mounting available. Extended actuator option available. Easy orientation offered by guiding post. 	<ul style="list-style-type: none"> Automotive. Telecommunications. Measurement instrumentations.

Circuit

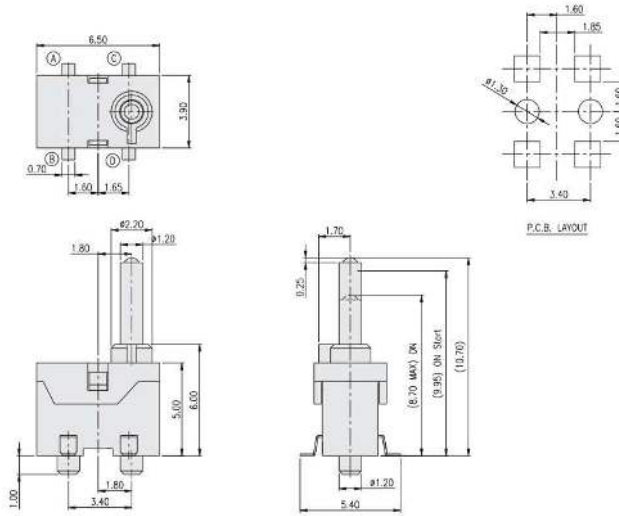


How To Order

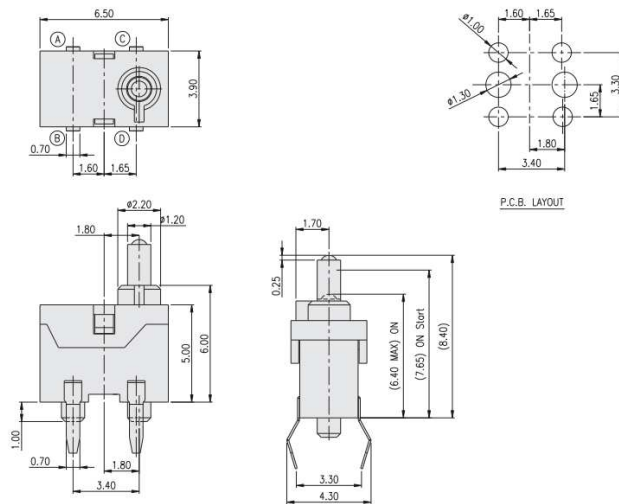


Diagrams

-SMT + High Actuator (10.70mm)



-THT + Standard Actuator (8.40mm)



PN List

Smart PN	Orientation	Grounding	Mounting	Height	Circuit	Guiding Post	Cover	Plating	Packaging	MOQ	TE PN
JJLVOUT1070NOPPRTB	Vertical Push	Ungrounded	Through-Hole	10.70mm	NO	Post	Plastic	Silver	Tube	700	2331396-1
JJLVOUT840NOPPRTB	Vertical Push	Ungrounded	Through-Hole	8.40mm	NO	Post	Plastic	Silver	Tube	700	2331397-1
JJLV0UG1070NOPPRTB	Vertical Push	Ungrounded	Gull-Winged	10.70mm	NO	Post	Plastic	Silver	Tube	500	2331398-1
JJLV0UG1070NOPPRTR	Vertical Push	Ungrounded	Gull-Winged	10.70mm	NO	Post	Plastic	Silver	Tape and Reel	400	2331398-2
JJLV0UG840NOPPRTB	Vertical Push	Ungrounded	Gull-Winged	8.40mm	NO	Post	Plastic	Silver	Tube	500	2331400-1
JJLV0UG840NOPPRTR	Vertical Push	Ungrounded	Gull-Winged	8.40mm	NO	Post	Plastic	Silver	Tape and Reel	500	2331400-2

2331396-1 Rev A
06/2018

Dimensions in millimetres unless otherwise specified

Dimensions Shown for reference purposes only. Specifications subject to change

For Email, phone or live chat, go to: www.te.com/help

1. Style

“Detector Switches” are mainly used as signal switches of electric devices, with the general requirements of mechanical and electrical characteristic.

1.1 Operating Temperature Range: -20°C to 70°C

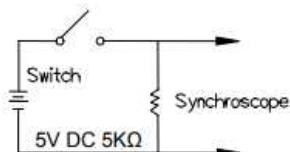
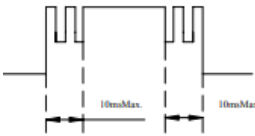
1.2 Storage Temperature Range: -30°C to 80°C

1.3 The shelf life of product is within 6 months.

2. Current Range: 5mA, 5VDC

3. Type of Actuation: Momentary

4. Test Sequence:

	Item	Description	Test Conditions	Requirements
Appearance	1	Visual Examination	Physical inspection without applying any external forces.	There shall be no defects that affect the serviceability of the product.
Electric Performance	2	Contact Resistance	Actuate the switch (0.75±0.2mm) and measure contact resistance using a micro-Ohmmeter.	500mΩ Max.
	3	Insulation Resistance	Measurements shall be made at 250 VDC potential between terminals and cover.	100MΩ Min.
	4	Dielectric Withstanding Voltage	Apply 250 VAC (50Hz or 60Hz) between terminals and cover for 1 minute.	There shall be no breakdown or flashover
	5	Capacitance	Capacitance shall be measured at 1 MHz between terminals.	5 pF Max.
	6	Bounce	3 to 4 operations at a rate of 1 cycles per second 	5m seconds Max. 

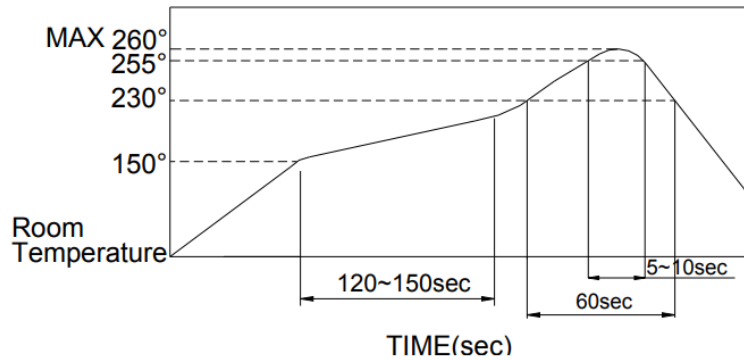


Mechanical Performance	7	Operating Force	Applying in the direction of operating stroke is 2.00mm	35gf Max. (0.343N Max.)
	8	Contact (On) point	Measure contact resistance with a micro-Ohmmeter while gradually applying force to the top of the stem. Record distance when switch changes state.	1) High Actuator: 10.3 to 9.75mm 2) Standard Actuator: 8 to 7.45mm
	9	Stop Strength	Apply vertical static load of 1KgF (High actuator with 500gF) for 1 minute.	As shown in item 2 to 5.
	10	Solder Heat Resistance	<p>■Through Hole Type</p> 1) Soldering Temperature: 260±5°C 2) Duration of Solder Immersion: 5±1 seconds 3) Frequency of Soldering Process 2 times Max. (PCB is 1.6mm in thickness) <p>(See chart below)</p>	1) Shall be free from pronounced backlash and falling-off or breakage terminals 2) As shown in item 2 to 5.
	11	Vibration	Test per Method 201A of MIL-STD-202F 1) Swing distance=1.5mm 2) Frequency: 10-55-10Hz in 1-min/cycle. 3) Direction: 3 vertical directions including the directions of operation 4) Test time: 2 hours each direction	As shown in item 2 to 7.
	12	Shock	Test per Method 213B condition A of MIL-STD-202F 1) Acceleration; 50G 2) Action time:11±1m seconds 3) Testing Direction: 6 sides 4) Test Cycle: 3 times in each direction	As shown in item 2 to 7.
	13	Solderability	1) Through Hole Soldering Temperature : 245°C±3°C Lead-Free solder : M705E JIS Z 3282 A (Tin 96.5%, Silver 3%, Copper 0.5%) 2) Flux : 5 to 10 sec. 3) Duration of solder Immersion: 5±1 Sec.	No anti-soldering and the coverage of dipping into solder must more than 66% were requested.
Durability	14	Operating Life	Tested as follows: 1) 5mA,5 VDC resistive load 2) Apply a static load in the direction of operation equal to the operating force to the center of the stem. 3) Rate of Operation: 1 operation per minute. 4) Cycle of Operation: 50,000 cycles Min.	1) As shown in item 4 to 5. 2) Insulation resistance: 10MΩ Min. 3. Bounce: 10m seconds Max.

Water-Proof	15	Resistance Low Temperature	Following the test set forth below the sample shall be left in normal temperature and humidity conditions for 1 hour before the measurements are made: 1) Temperature: $-30\pm 2^{\circ}\text{C}$ 2) Time: 168 hours	As shown in item 2 to 7.
	16	Heat Resistance	Following the test set forth below the sample shall be left in normal temperature and humidity conditions for 1 hour before the measurements are made: 1) Temperature: $80\pm 2^{\circ}\text{C}$ 2) Time: 96 hours	Ditto
	17	Humidity Resistance	Following the test set forth below the sample shall be left in normal temperature and humidity conditions for 1 hour before the measurements are made: 1) Temperature: $40\pm 2^{\circ}\text{C}$ 2) Relative Humidity: 90 to 95% 3) Time: 168 hours	1) As shown in item 4 to 7. 2) Contact resistance: 200m Ω Max. 3) Insulation resistance: 10M Ω Min.

5. Soldering Conditions:

■ Recommended Soldering Profile for the JJL Series



■ The temperatures defined above are the temperatures measured on the surface of the Printed Circuit Board. There are cases where the printed circuit board's temperature differs greatly from the temperature of the switch. Critical note: the switch's surface temperature must not exceed 260°C.

■ Manual Soldering

Soldering Temperature: 350°C Max.
Continuous Soldering Time: 5 second Max.

■ Precautions in Handling

1. Care must be taken to ensure excess flux on the top surface of the printed circuit board does not adhere to the switch.
2. Do not wash the switch

■ Recommended storage conditions:

Store the products in the original packaging material. After opening the package, the remaining products must be stored in the appropriate moisture-proof & airtight environment.

Do not store the switch in the following environment or it may affect performance and solderability:

1. temperatures below -10°C to 40°C & humidity at 85% (min)
2. environment with corrosive gas
3. storage over 6 months
4. place in direct sunlight