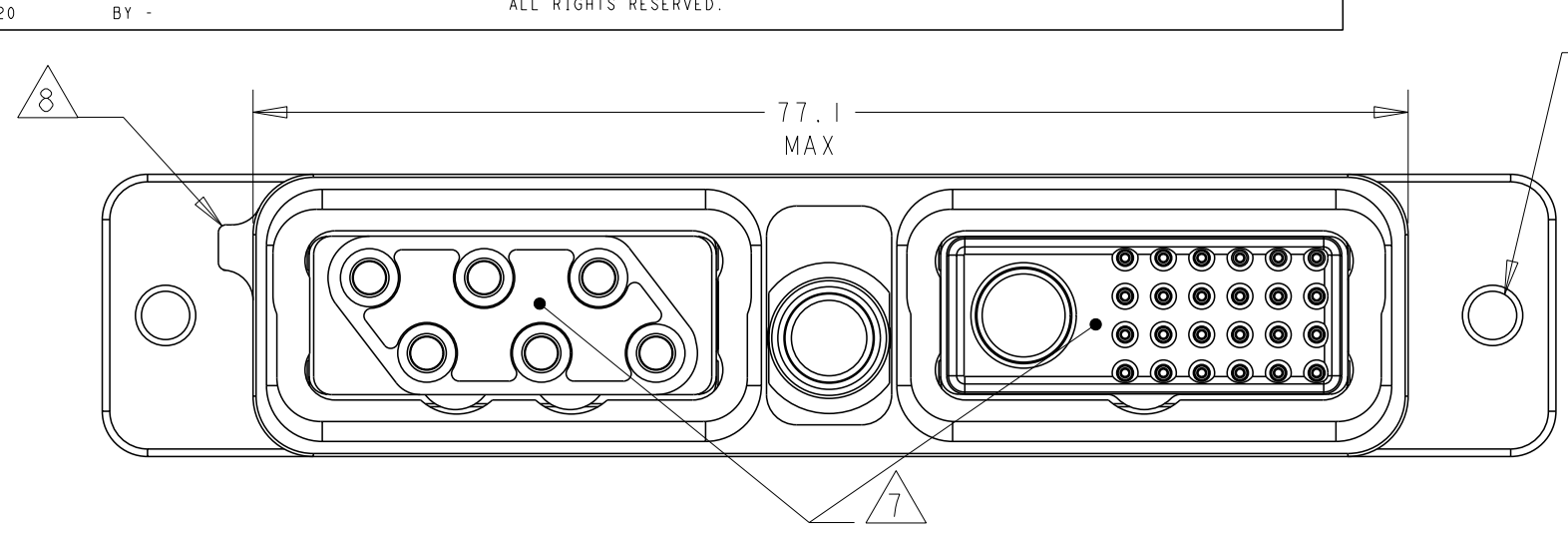
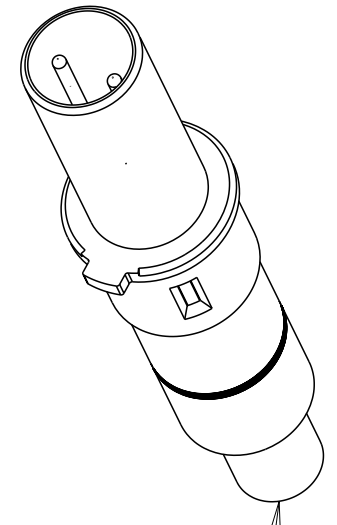


THIS DRAWING IS UNPUBLISHED. RELEASED FOR PUBLICATION 20  
 © COPYRIGHT 20 BY - ALL RIGHTS RESERVED.

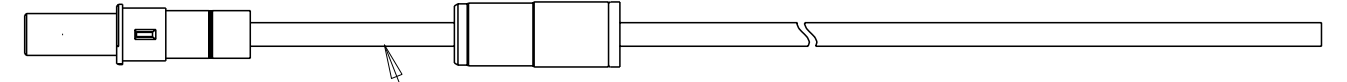
REVISIONS				
P	LTR	DESCRIPTION	DATE	APVD
A		RELEASED TO PRODUCTION	08JUL2021	LN RL



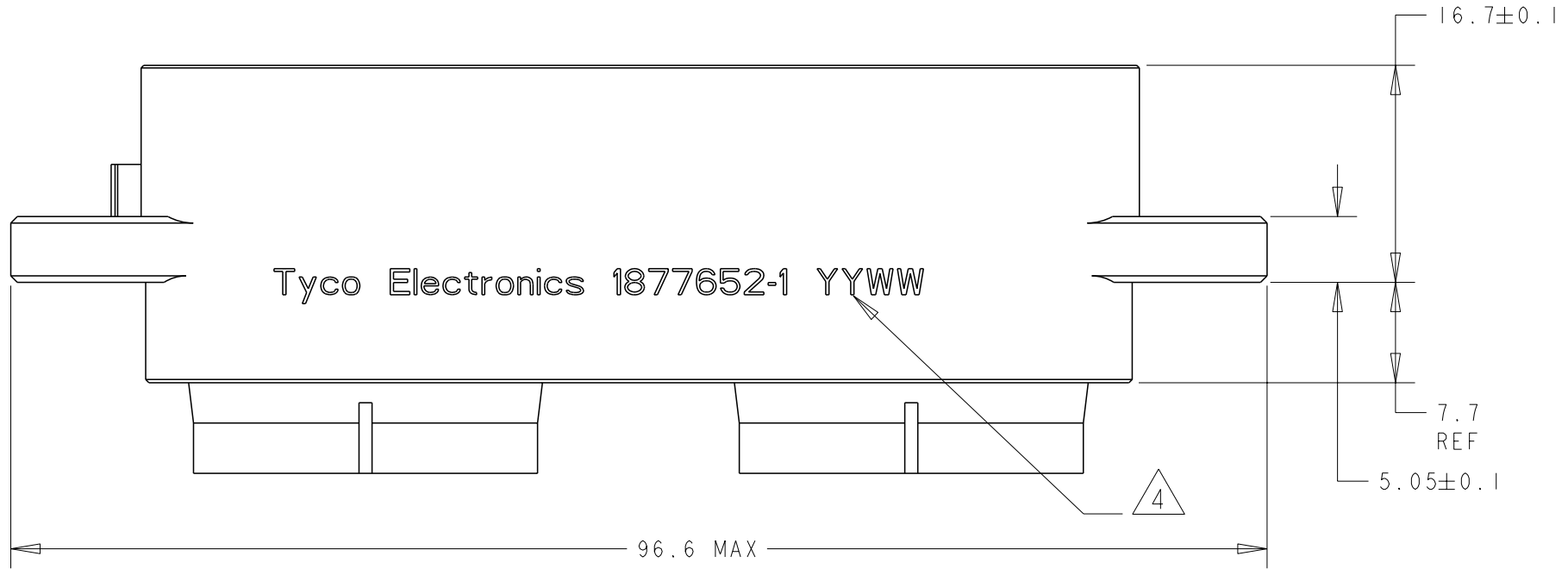
2x 6-32 UNC-2B  $\triangle 5$   $\triangle 6$



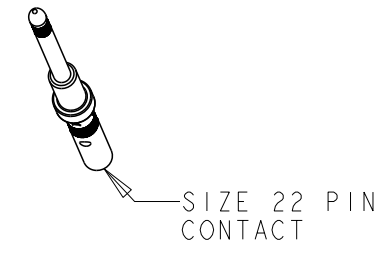
$\triangle 9$  SIZE 8 TWINAX PIN CONTACT



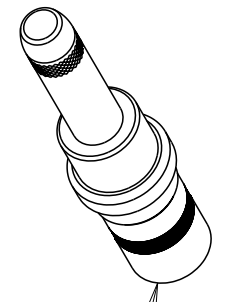
SIZE 8 TWINAX PIN -CABLE ASSEMBLY



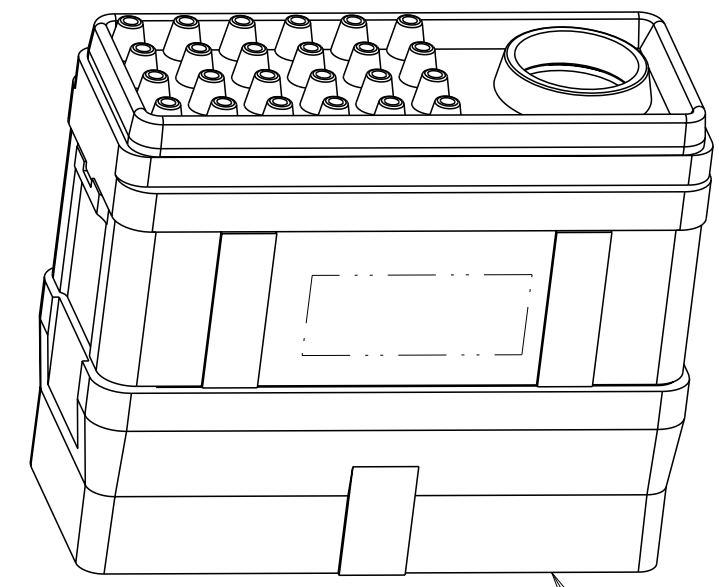
Tyco Electronics 1877652-1 YYWW



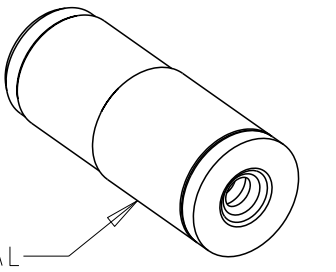
SIZE 22 PIN CONTACT



SIZE 12 PIN CONTACT



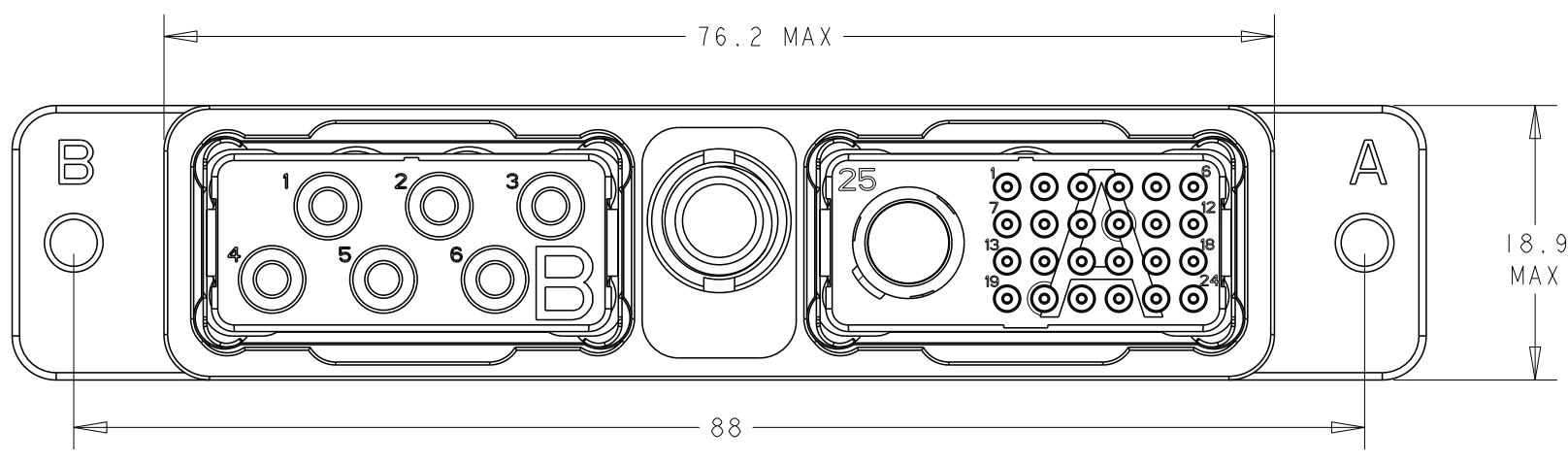
2501 PIN INSERT ASSEMBLY



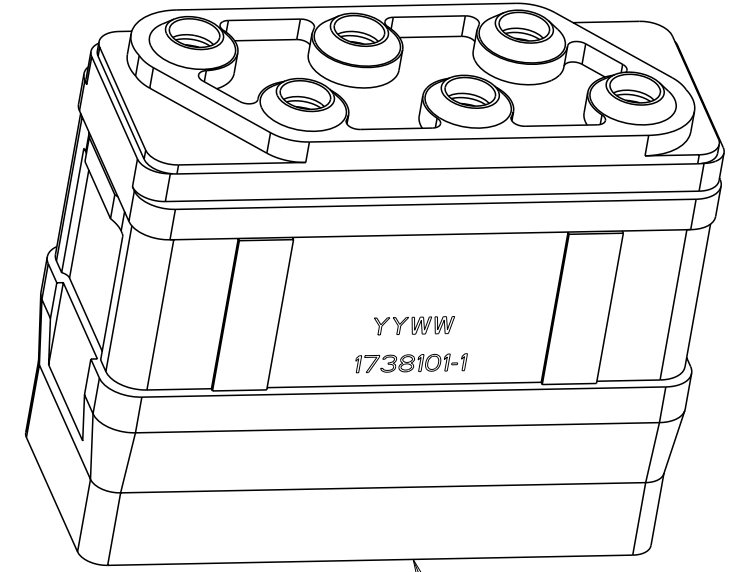
TWINAX SEAL ASSEMBLY



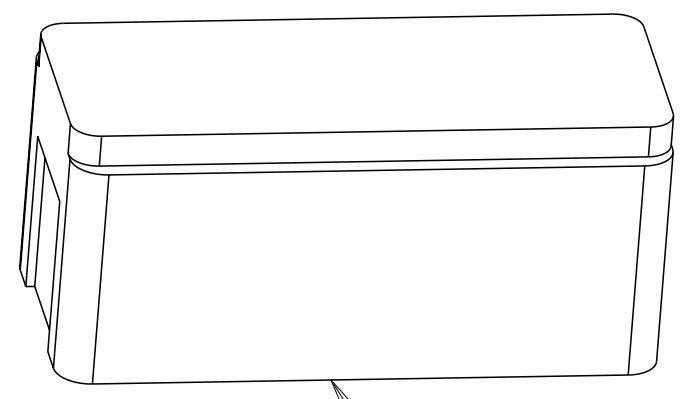
SEALING PLUG



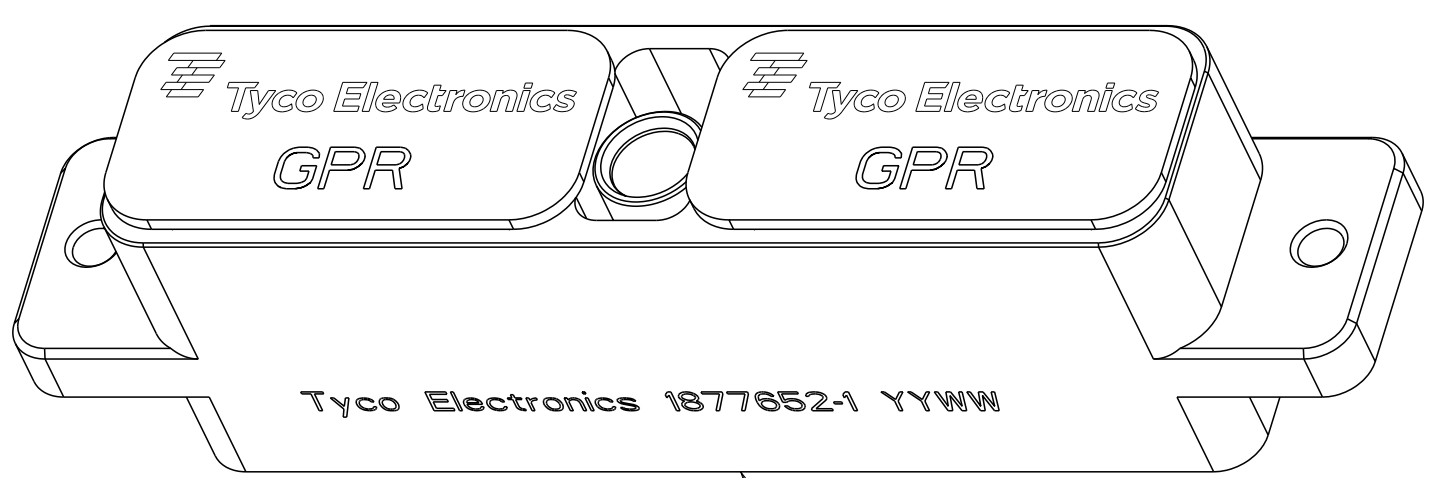
PART NUMBER 1877652-1 SHOWN



06 PIN INSERT ASSEMBLY



BLANK INSERT



Tyco Electronics 1877652-1 YYWW

RECEPTACLE SHELL ASSEMBLY

$\triangle \triangle$	-	1	-	6	24	1	1	-	1	1811119-2.QTY-1 SEE SHEET 1 DETAILS	1877652-7
$\triangle \triangle$	1	-	-	6	24	-	1	-	1	1811119-4, QTY 1 SEE SHEET 2 DETAILS	1877652-6
$\triangle \triangle$	-	1	-	6	24	1	1	-	1	1811119-4.QTY 1 SEE SHEET 2 DETAILS	1877652-5
$\triangle \triangle$	-	-	9	6	15	-	1	-	1	1811119-2.QTY-1 SEE SHEET 1 DETAILS	1877652-4
$\triangle \triangle$	-	-	-	6	-	-	1	-	1	1811119-2.QTY-1 SEE SHEET 1 DETAILS	1877652-3
$\triangle \triangle$	-	-	-	6	-	-	1	1	-	1811119-2.QTY-1 SEE SHEET 1 DETAILS	1877652-2
$\triangle \triangle$	-	1	9	6	15	1	1	-	1	1811119-2.QTY-1 SEE SHEET 1 DETAILS	1877652-1
	CABLE ASSEMBLY SIZE 8 TWINAX PIN 2102215-1	SEAL ASSEMBLY TWINAX 1954046-1	SEALING PLUG 592104-4	SIZE 12 PIN CONTACT 1738017-1	SIZE 22 PIN CONTACT 1738007-1	SIZE 8 TWINAX PIN CONTACT KIT, 1811865-3	06 PIN INSERT ASSEMBLY 1738101-1	BLANK INSERT 1738085-1	2501 PIN INSRT ASSEMBLY 1811121-1	RECEPTACLE SHELL	PART NUMBER

THIS DRAWING IS A CONTROLLED DOCUMENT.

DIMENSIONS:		TOLERANCES UNLESS OTHERWISE SPECIFIED:	
mm		0 PLC	±0.2
		1 PLC	±0.2
		2 PLC	±0.2
		3 PLC	±
		4 PLC	±
		ANGLES	±
MATERIAL		FINISH	±

DWN	BW	04 JAN 2006
CHK	JPM	04 JAN 2006
APVD	JPM	04 JAN 2006
PRODUCT SPEC		
APPLICATION SPEC		
WEIGHT		
CUSTOMER DRAWING		

**STE** TE Connectivity

NAME: KIT, RECEPTACLE CONNECTOR, GAIN, GPRB2

SIZE: A2 CAGE CODE: 00779 DRAWING NO: C-1877652 RESTRICTED TO

SCALE: 3:1 SHEET 1 OF 2 REV A

Printed on 8 Jul 2021 20:33 (India Standard Time) from TE307058

4

3

2

1

THIS DRAWING IS UNPUBLISHED.	RELEASED FOR PUBLICATION	20
© COPYRIGHT 20	BY -	ALL RIGHTS RESERVED.

REVISIONS					
P	LTR	DESCRIPTION	DATE	DWN	APVD
-	-	SEE SHEET 1	-	-	-

1. THE RECEPTACLE CONNECTOR KITS CONSIST OF THE FOLLOWING ITEMS, WHICH ARE ALSO AVAILABLE SEPARATELY. THE QUANTITIES OF EACH ARE LISTED IN THE PART NUMBER TABLE.

1811119-2 OR 1811119-4 RECEPTACLE SHELL ASSEMBLY (UNMARKED)  
 1811121-1 PIN INSERT ASSEMBLY, 250I, KEY A - INSTALLED.  
 1738101-1 PIN INSERT ASSEMBLY, 06, KEY B - INSTALLED.  
 1811865-3 PIN CONTACT, SIZE 8, TWINAX - NOT INSTALLED.  
 1738007-1 PIN CONTACT, SIZE 22 - NOT INSTALLED.  
 1738017-1 PIN CONTACT, SIZE 12 - NOT INSTALLED.  
 592104-4 SEALING PLUG - NOT INSTALLED  
 1954046-1 SEAL ASSEMBLY, TWINAX - NOT INSTALLED.  
 1738085-1 BLANK INSERT - INSTALLED.  
 2102215-1 CABLE ASSEMBLY, SINGLE-ENDED, PIN CONTACT TO 120Ω TWINAXIAL CABLE-NOT INSTALLED

2 SHELL ASSEMBLY:  
 SHELL: ALUMINUM ALLOY 6061 T651 PER AMS-QQ-A-250  
 INSERT RETENTION CLIP: COPPER ALLOY PER ASTM B194  
 GUIDE SOCKET: STAINLESS STEEL PER AISI 303  
 RETAINING NUT: STAINLESS STEEL PER AISI 316  
 PROTECTIVE COVER: THERMOPLASTIC ELASTOMER

INSERT ASSEMBLIES:  
 FRONT & REAR INSULATORS: HIGH-TEMP THERMOPLASTIC OR THERMOSET EPOXY PER ASTM D5948  
 CONTACT RETENTION CLIPS: STAINLESS STEEL PER AISI 302 OR COPPER ALLOY PER ASTM B194  
 REAR GROMMET & INTERFACIAL SEAL: FLUROSILICONE ELASTOMER PER MIL-R-25988 B EXCEPT 4.6.6.1

BLANK INSERT: PEI THERMOPLASTIC PER ASTM D5205.

SIZE 12 & SIZE 22 PIN CONTACTS:  
 COPPER ALLOY C97

SIZE 8 TWINAX PIN CONTACT:  
 OUTER SHELL AND CRIMP FERRULE: COPPER ALLOY PER ASTM B16  
 FRONT AND REAR DIELECTRICS: HIGH-TEMP THERMOPLASTIC  
 PIN CONTACTS: COPPER ALLOY PER ASTM B301

SEAL ASSEMBLY:  
 SEAL SLEEVE: PPS THERMOPLASTIC PER ASTM D4067, COLOR: NATURAL.  
 SEAL BOOT: FLUROSILICONE ELASTOMER PER SAE AMS-R-25988, EXCEPT 4.6.6.1.

SEALING PLUG:  
 TEFLON PER MS27488.

CABLE ASSEMBLY:  
 TWINAXIAL CABLE:  
 JACKET: MODIFIED FEP  
 SHIELD: COPPER, AWG 40  
 FILLERS: FEP  
 DIELECTRIC: RAYFOAM H  
 CONDUCTORS: HIGH-STRENGTH COPPER ALLOY, AWG 26; 7 STRANDS OF AWG 34  
 SIZE 8 TWINAX PIN CONTACT ASSEMBLY: MATERIALS AS LISTED ABOVE  
 SEAL ASSEMBLY: MATERIALS AS LISTED ABOVE

3 SHELL ASSEMBLY: ELECTROLYTIC NICKEL PER SAE AMS QQ-N-290 OVER ELECTROLESS NICKEL PER SAE AMS-2404, CLASS 3.

GUIDE SOCKET: PASSIVATED

SIZE 12 AND 22 PIN CONTACTS: 1.27μm MIN GOLD PER ASTM B488 OVER 2.54μm MIN NICKEL PER QQ-N-290 ON ENTIRE STOCK.

SIZE 8 TWINAX PIN CONTACT:  
 OUTER SHELL, PIN CONTACTS AND CRIMP FERRULE: 1.27μm MIN GOLD PER ASTM B488 OVER 1.27μm MIN NICKEL PER QQ-N-290 ON ENTIRE STOCK.

CABLE ASSEMBLY:  
 TWINAXIAL CABLE:  
 SHIELD & CONDUCTORS: SILVER  
 SIZE 8 TWINAX PIN CONTACT ASSEMBLY: FINISHES AS LISTED ABOVE

4 DATE CODE - YEAR & WEEK (YY - WW)

5 6-32 SCREWS ARE REQUIRED FOR PANEL MOUNTING (NOT INCLUDED).  
 SCREW HEAD DIAMETER: 8.5mm MAX  
 RECOMMENDED TORQUE: 1.3 N·m [11.5 lb\_in] MIN

6 6-32 THREADED HOLES ARE SELF-LOCKING, HAVING THE SPIRALOCK® THREAD FORM. SPIRALOCK® IS A REGISTERED TRADEMARK OF SPIRALOCK CORPORATION.

7 THE PROTECTIVE COVERS ARE NOT SHOWN FOR CLARITY.

8 POLARIZATION FEATURE TO PREVENT REAR PANEL MOUNTING.

9 TWINAX CONTACT COMPONENTS ARE PACKAGED IN KIT FORM. THE CABLE MUST BE PURCHASED SEPARATELY.

10. THIS PRODUCT IS SOLD BY TYCO ELECTRONICS UNDER A LICENSE FROM RADIAL SA.

11 THIS PART IS PRELIMINARY - NOT RELEASED FOR PRODUCTION.

RECOMMENDED PANEL CUTOUT

PART NUMBER 1877652-5 SHOWN, ALL DIMENSIONS SAME AS 1877652-1 EXCEPT AS NOTED

THIS DRAWING IS A CONTROLLED DOCUMENT.		DWN BW	04JAN06	 TE Connectivity
		CHK JPM	04JAN06	
		APVD JPM	04JAN06	
		PRODUCT SPEC		
DIMENSIONS:				NAME
mm				KIT, RECEPTACLE CONNECTOR, GAIN, GPRB2
TOLERANCES UNLESS OTHERWISE SPECIFIED:				SIZE
0 PLC ±0.2				CAGE CODE
1 PLC ±0.2				DRAWING NO
2 PLC ±0.2				A200779
3 PLC ±				C-1877652
4 PLC ±				RESTRICTED TO
ANGLES ±				
FINISH ±				
MATERIAL				SCALE
				3:1
				SHEET
				2 OF 2
				REV
				A

1471-9 (3/13)