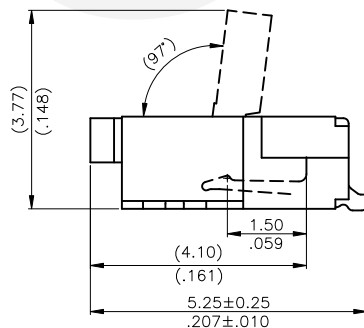
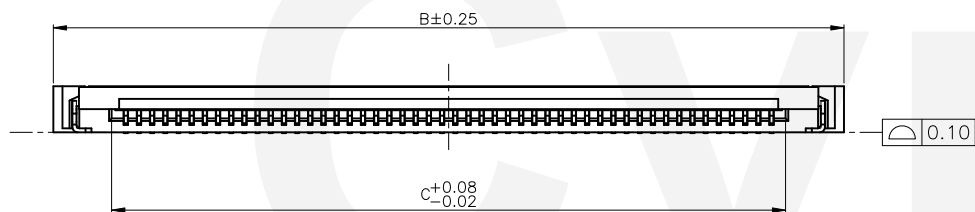
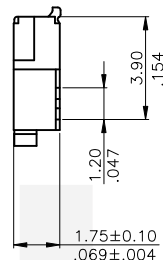
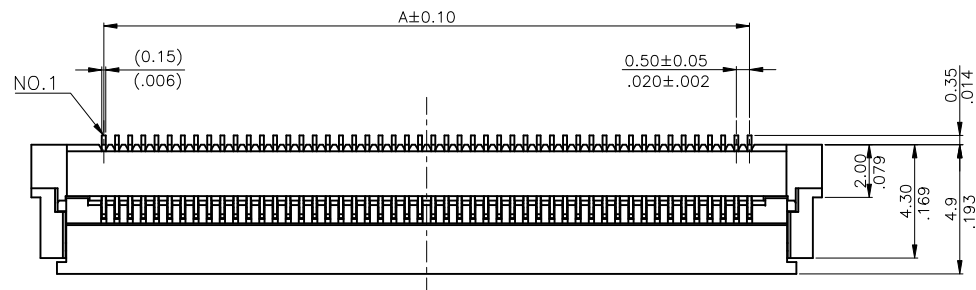


Material :

- * Base: High temperature plastic UL94 V-0, Color Nature
- * Cover: High temperature plastic UL94 V-0, Color Black
- * Contact: Phosphor Bronze
- * Fixed tab: Brass with 100u" Min. Matte Tin plated over 50u" Min. Nickel.



Ordering Code

CF61 ** * D 0 * * -05 -NH
 ① ② ③ ④ ⑤ ⑥ ⑦ ⑧ ⑨

① Series No.

② No. of Circuits

③ Plating code:

1= 2.00um(80u") Min. Matte Tin Plating on Contact area and Solderails, 1.27um(50u") Nickel Underplating over all

2= Gold Flash Plating on Contact area and Solderails, 1.27um(50u") Nickel Underplating over all

D= Contact area:0.25um(10u") Min. Gold plated Solder area:0.02um(0.8u") Min. gold-flash over all 1.27um(50u") Min. Nickel

④ Contact style: D= Downside contact

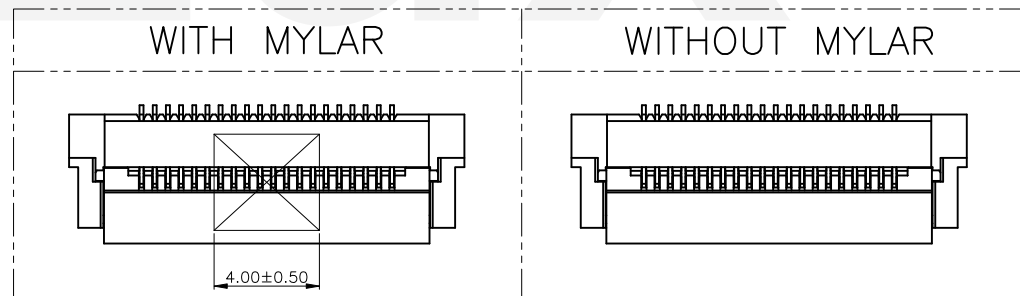
⑤ 0= Color Nature

⑥ Packing: R= Tape & Reel packing
 T= Tube Packing

⑦ Option: 0= Without Mylar
 M= With Mylar

⑧ -05= 0.5 Pitch


⑨ -NH= For Lead Free IR Processed and Halogen Free



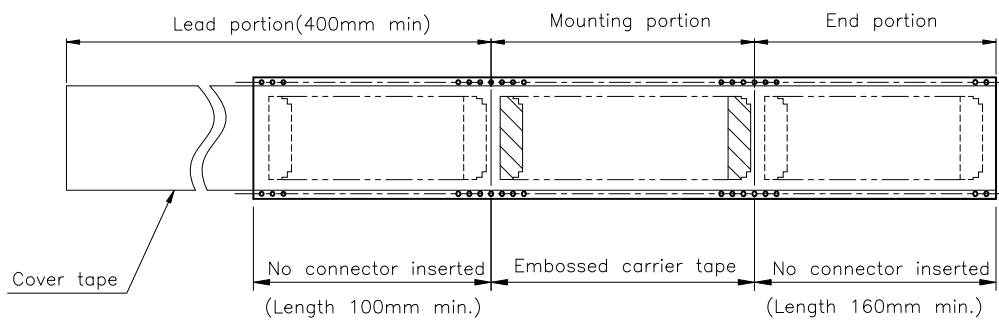
Halogen-Free

Lead Free Process

RoHS compliant

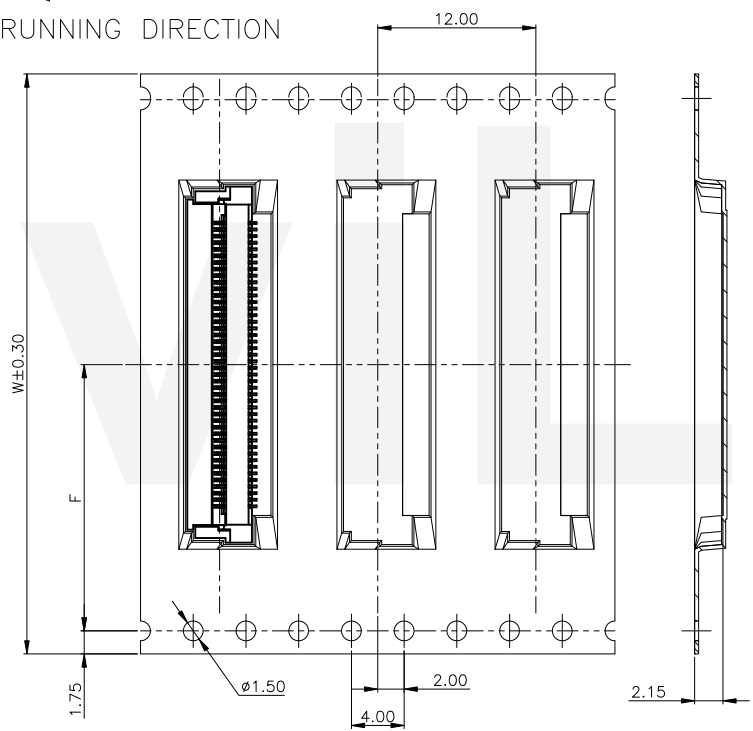
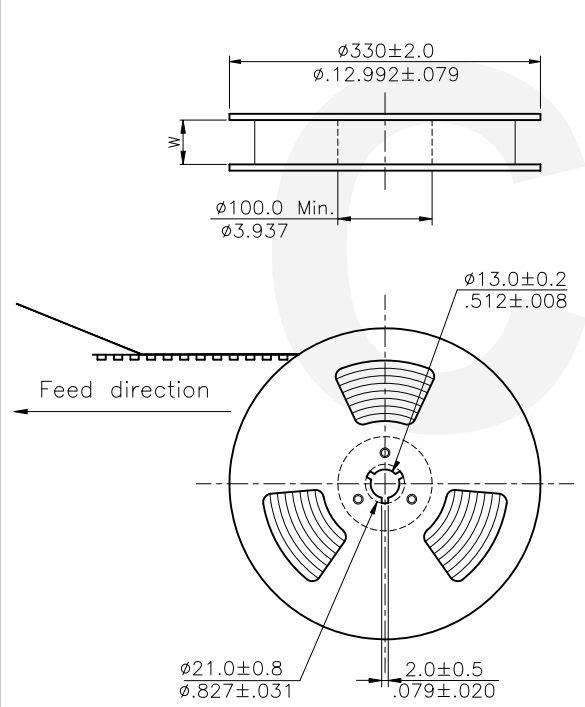
④					DATE	UNIT: mm / inch	TITLE: 0.50mm(.020") ZIF FFC/FPC ONE-TOUCH CONNECTOR	 瀚荃股份有限公司 CviLux Corporation
③					DRAWN BY: Sun	TOLERANCE UNLESS OTHERWISE SPECIFIED	MATERIAL:	
②					ENGINEER: Sun	.X ± 0.25/.010 X' ±	FINISH:	DRAWING NO. CF6101SB
①	Sun	1/06-21'	ECNT121014		CHECKED BY: Eisley	.XX ± 0.15/.006 X' ± 2'		PART NO. CF61***DOR0-05-NH
SYM	NAME	DATE	REVISIONS		APPROVED BY: Eisley	.XXX ±		SCALE 5 / 1
								SHEET 1 OF 3

CVILUX CORP
 2021.01.14
 ISSUED

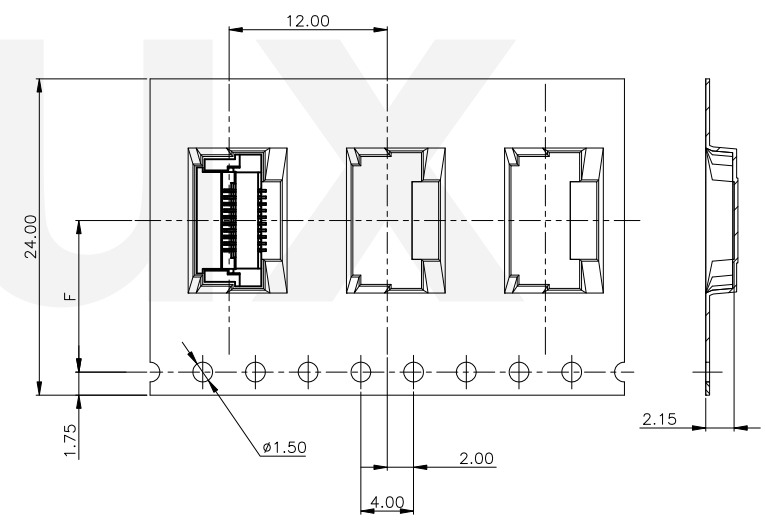


- Notes:
1. 10 sprocket hole pitch cumulative tolerance ± 0.2
 2. Material: Polystyrene.
 3. All dimensions meet EIA-481-B requirements.
 4. Quantity: 2000 Pcs/Reel

TAPE RUNNING DIRECTION



Circuits	Dimension		Packing (Reel/Carton)
	W	F	
4-6	16.0(.630)	7.50(.295)	11
8-22	24.0(.945)	11.50(.453)	9
24-30	32.0(1.260)	14.20(.559)	7
32-50	44.0(1.732)	20.20(.795)	5
60	56.0(2.205)	26.20(1.031)	4



WIDTH : 32, 44, 56 mm Carrier

WIDTH : 16, 24 mm Carrier

RoHS Compliant

4						DATE	UNIT: mm / inch	TITLE: 0.50mm(.020") ZIF FFC/FPC ONE-TOUCH CONNECTOR	瀚荃股份有限公司 CviLux Corporation
3					DRAWN BY: Sun	01/06-21'	TOLERANCE UNLESS OTHERWISE SPECIFIED		
2					ENGINEER: Sun	01/06-21'	.X $\pm 0.25/010$.X' \pm	FINISH:
1	Sun	1/06-21'	ECNT121014		CHECKED BY: Eisley	01/08-21'	.XX $\pm 0.15/006$.X' $\pm 2'$	
SYM	NAME	DATE	REVISIONS	APPROVED BY: Eisley	01/08-21'	.XXX \pm	.XX' \pm	SCALE 5 / 1	SHEET 3 OF 3