
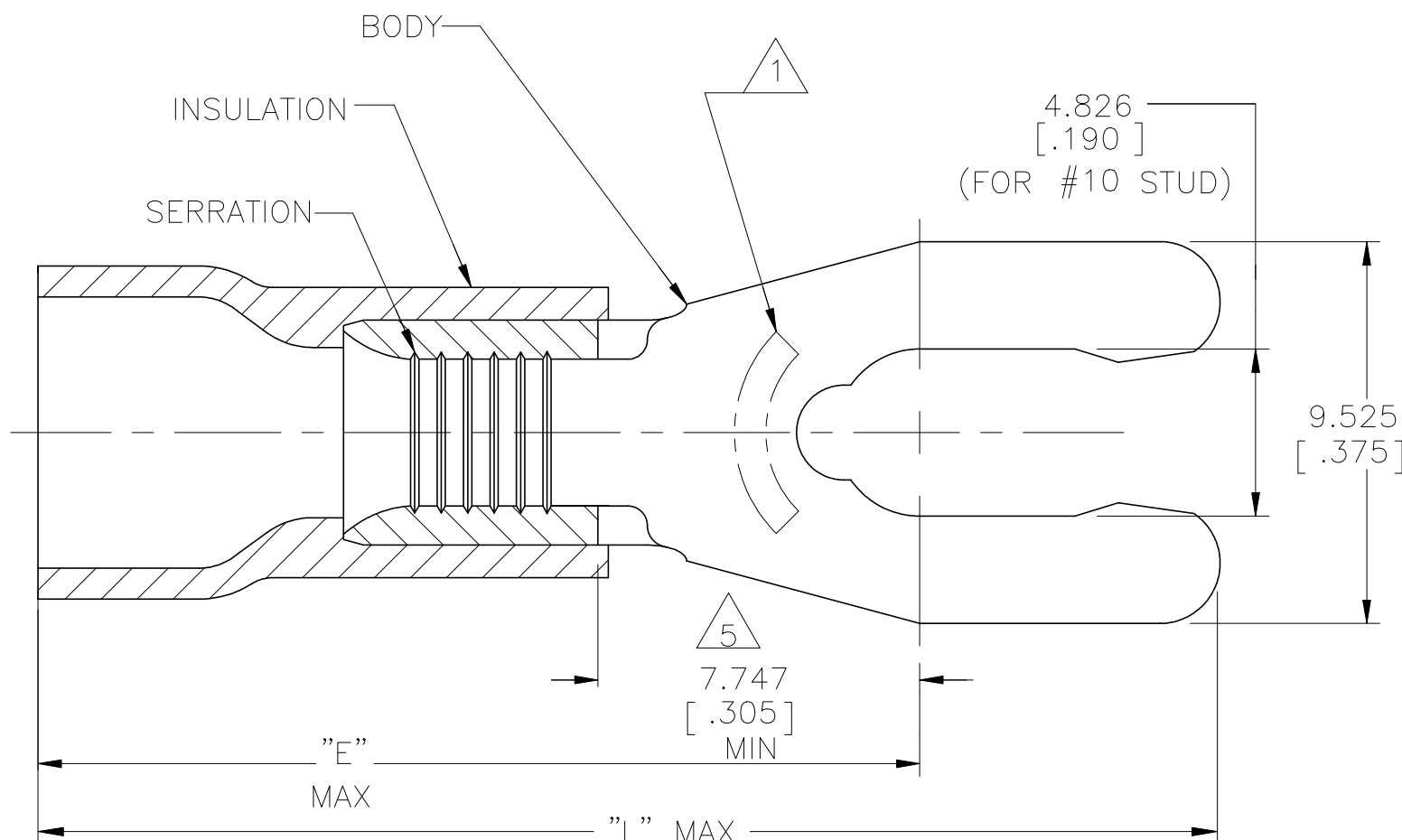



P	LTR	DESCRIPTION	DATE	DWN	APVD
N		REVISED PER ECR-23-163311	08MAR2023	BB	DSC

AMP WIRE RANGE	 Listed FILE E13288
12-10 AWG SOLID OR STRANDED	12 AWG STRANDED



- ① STAMP 10S AMP 12-10* APPROX AS SHOWN
- ② SEE TABLE FOR WIRE INSUL DIA
- ③ BODY MATERIAL THK: 1.016±.051[.040±.002]
- ④ MATERIAL: BODY - BRASS PER ASTM B36
INSULATION - PVC
- ⑤ APPLIES FROM EDGE OF METAL WIRE BARREL TO
CENTER OF STUD HOLE
- ⑥ FINISH:
BODY - TIN PLATE 0.00254[.000100]
MIN EXT THK PER ASTM B545
INSUALTION COLOR - YELLOW

32.461 [1.278]	24.511 [.965]	6.350-7.620 [.250-.300]	1500	ON TAPE, REEL	52475-3
30.963 [1.219]	23.012 [.906]	2.667-5.080 [.105-.200]	500	LOOSE PIECE	52475
L	E	WIRE INSUL DIA	QTY	PACKAGE TYPE	PART NO

AMP INCORPORATED CUSTOMER SERVICE SYSTEMS		MAX RECOMMENDED OPERATING TEMPERATURE: 105°C [221°F]		THIS DRAWING IS A CONTROLLED DOCUMENT.		 TE Connectivity			
		VOLTAGE RATING: 600V MAX (1000V FIXTURE OR SIGN)		DIMENSIONS: mm [INCHES]		TOLERANCES UNLESS OTHERWISE SPECIFIED: 0 PLC ± - 1 PLC ± - 2 PLC ± - 3 PLC ± 0.127[.005] 4 PLC ± - ANGLES ± -		NAME TERMINAL, SPRING SPADE, LONG, PLASTI-GRIP, WIRE SIZE : 12-10 AWG	
FOR ADDITIONAL PRODUCT INFORMATION OR COPIES OF DRAWINGS AND TECHNICAL DOCUMENTS PRODUCT INFORMATION CENTER 1-800-522-6752		CIRCULAR MIL AREA: 2.62-6.64mm² [5,180-13,100] SOLID OR STRANDED		MATERIAL ④		FINISH ⑥		DWN L OLMEDA 26JUN95 CHK M ELLIS 26JUN95 APVD G NGO 26JUN95 PRODUCT SPEC UL 486A-B APPLICATION SPEC 114-2161 WEIGHT	
FOR APPLICATION TOOLING INFORMATION TOOLING ASSISTANCE CENTER 1-800-722-1111		THIS DRAWING IS A CONTROLLED DOCUMENT FOR AMP INCORPORATED. IT IS SUBJECT TO CHANGE AND THE CONTROLLING ENGINEERING ORGANIZATION SHOULD BE CONTACTED FOR THE LATEST REVISION.		CUSTOMER DRAWING		SIZE A3 CAGE CODE 00779 DRAWING NO C-52475		RESTRICTED TO -	
FOR ORDER ENTRY 1-800-526-5142						SCALE 6:1 SHEET 1 OF 1 REV N			