

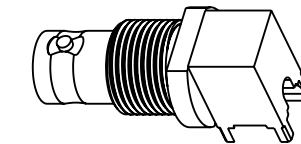
NOTES:

1. MATERIALS AND FINISHES:
 - FRONT BODY - BRASS, NICKEL PLATING (.000100" MIN THICK)
 - REAR CUBE BODY - BRASS, MATTE TIN PLATING (.000100" MIN THICK)
 - FEMALE CONTACT - BERYLLIUM COPPER, GOLD PLATING (.000030" MIN THICK)
 - INSULATOR - PTFE
2. ELECTRICAL:
 - A. IMPEDANCE: 75 OHM
 - B. FREQUENCY RANGE: DC - 1 GHz
 - C. VSWR(RETURN LOSS): 1.12 (25dB), MAX @ DC - 1.5 GHz
1.22 (20dB), MAX @ 1.5 - 3 GHz
 - VSWR PERFORMANCE DEPENDANT UPON PCB LAUNCH CONFIGURATION
 - D. DIELECTRIC WITHSTANDING VOLTAGE: 1000 VRMS
4. PACKAGING:
 - A. QUANTITY: TRAY PACK
 - B. MARKING: TRAY TO BE MARKED
"AMPHENOL, 31-70352, AND DATE CODE"

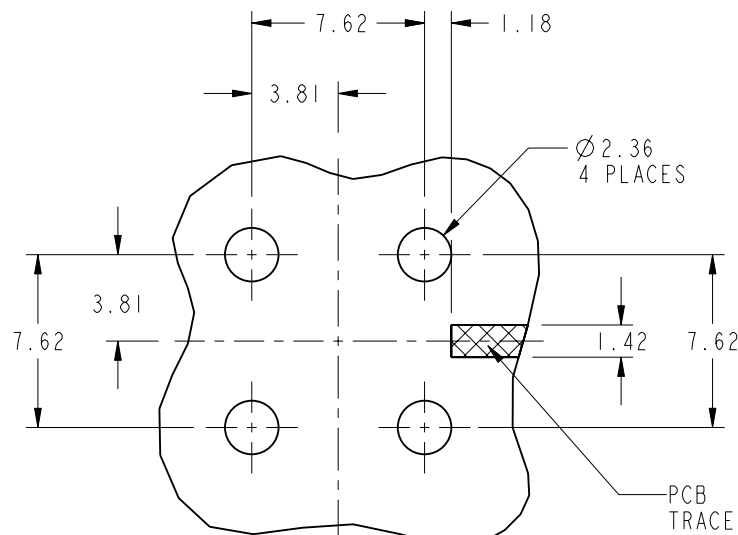
THIRD ANGLE PROJ.

REVISIONS

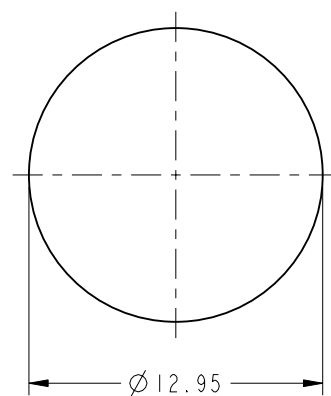
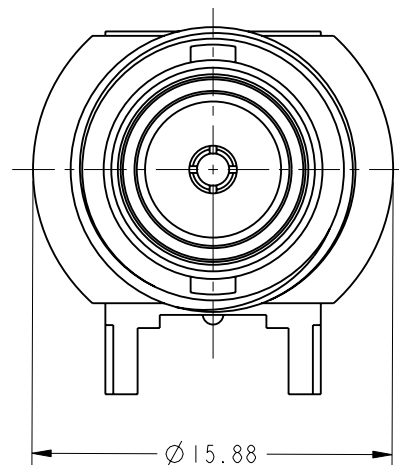
REV	DESCRIPTION	DATE	ECO	APPR
A	RELEASE TO MFG.	11/9/07	46835	SH
B	ADD STAKING TWO PLACES/RD-DMI2050401J7	30-May-12	49112	SH
C	REVISED DESIGN TO MEET 1000 VRMS DWV \RD-DMI605050IT1	18-May-16	00801	JTS



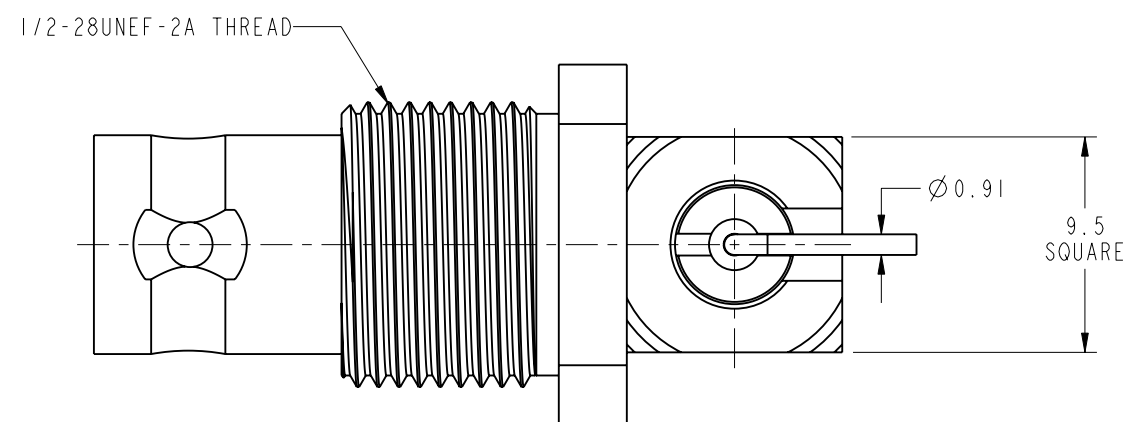
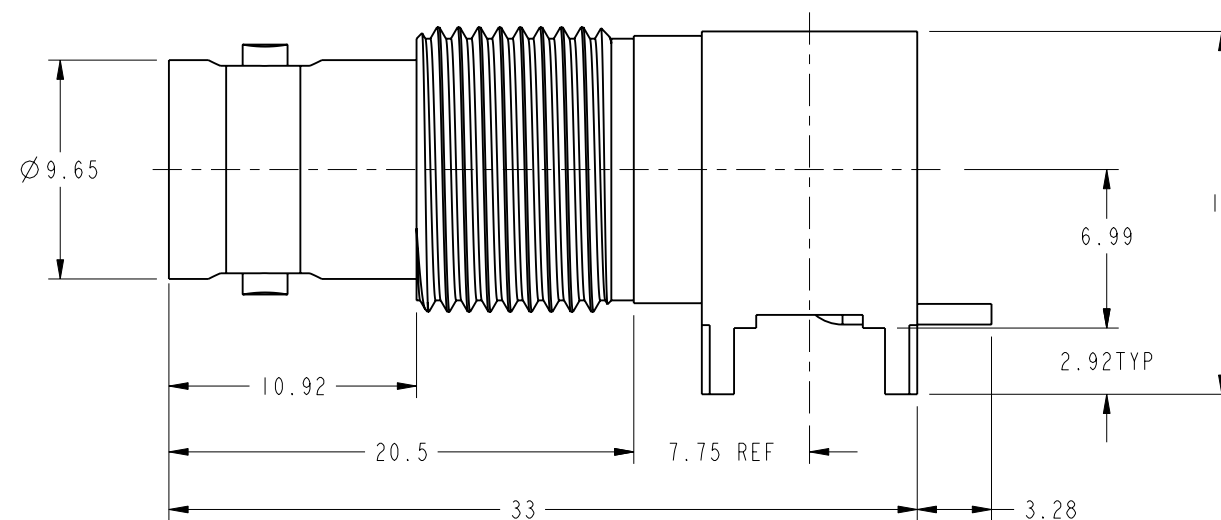
SCALE 1.000



RECOMMENDED
PCB FOOTPRINT
SCALE 3.000



RECOMMENDED
PANEL HOLE
SCALE 3.000



CUSTOMER OUTLINE DRAWING

ALL OTHER SHEETS ARE FOR INTERNAL USE ONLY

UNLESS OTHERWISE SPECIFIED, DIMENSIONS ARE IN METRIC AND TOLERANCES ARE:
 <0.5mm ±0.05mm 0.5 - 6mm ±0.1mm 6 - 30mm ±0.2mm 30 - 120mm ±0.3mm ANGLES ±1°

NOTICE - These drawings, specifications, or other data (1) are, and remain the property of Amphenol corp. (2) must be returned upon request; and (3) are confidential and not to be disclosed to any person other than those to whom they are given by Amphenol Corp. the finishing of these drawings, specifications, or other data by Amphenol Corp., or to any other person to anyone for any purpose is not to be regarded by implication or otherwise in any manner licensing, granting rights to permitting such holder or any other person to manufacture, use or sell any product, process or design, patented or otherwise, that may in any way be related to or disclosed by said drawings, specifications, or other data.

MATERIAL	DRAWN TANGOR	DATE 18-May-16	TITLE BNC R/A PCB JACK THRU LEG, SMT CONTACT BULKHEAD	Amphenol RF Danbury CT USA, Tainan, Taiwan, Shenzhen, China www.amphenolrf.com
REFERENCE	ENGINEER M. HOYACK	DATE 31-Oct-07	SCALE: 3.0:1.0 SHEET 2 OF 2	
TEKTRONIX PN: 131-8271-00	APPROVED S. HSIEH	DATE 18-May-16	DWG SIZE B	DRAWING NO. 31-70352
FINISH	I:BNC/31-70352		REV C	ITEM NO. 31-70352 PART NO. 31-70352