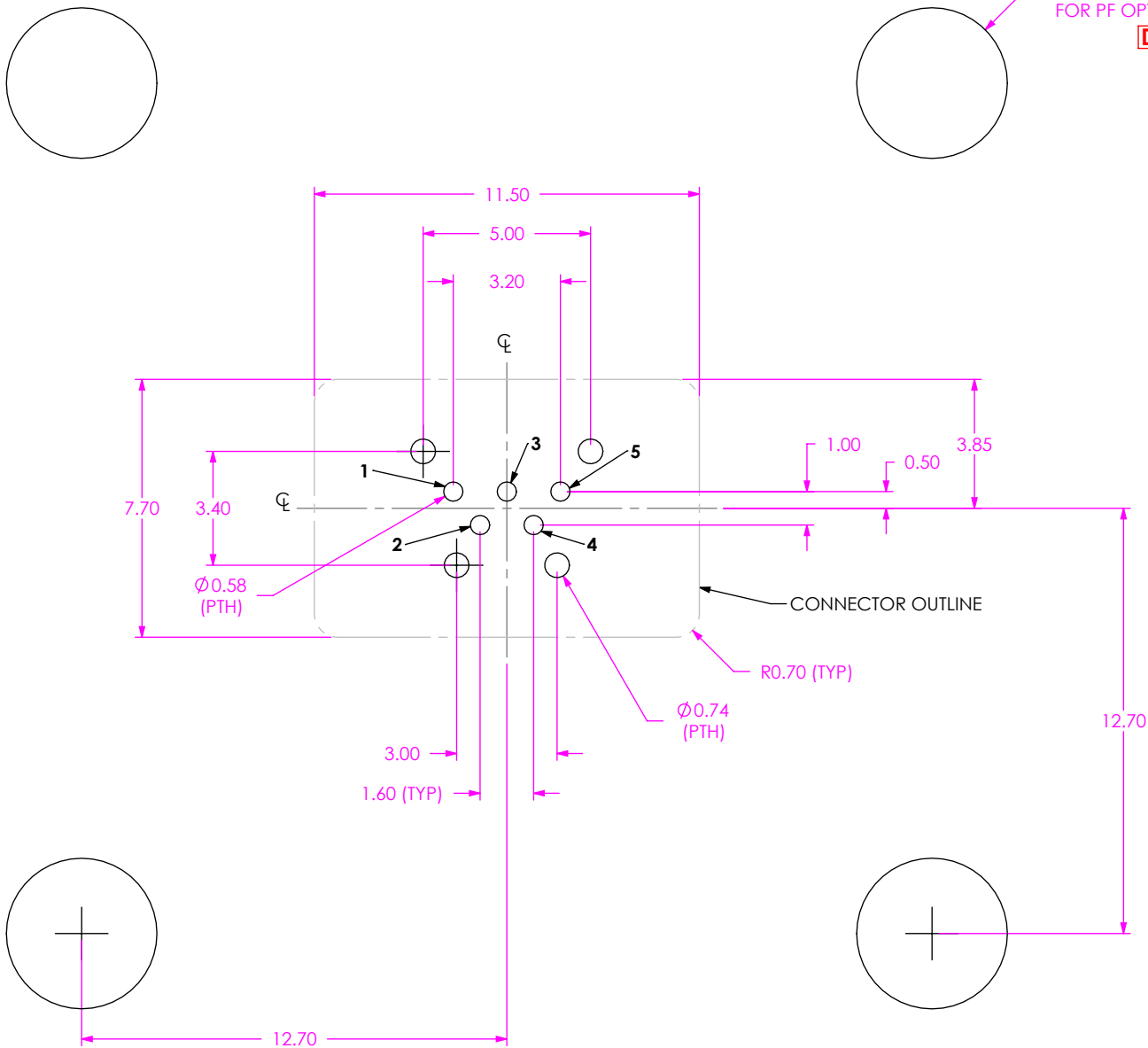


DESIGNED & DIMENSIONED
IN MILLIMETERS

FIG 1
(MUSBS-05-S-B-TH-XX-TR SHOWN)

Ø 4.50 (NPTH)
(MOUNTING HOLES
FOR PF OPTION ONLY)
D

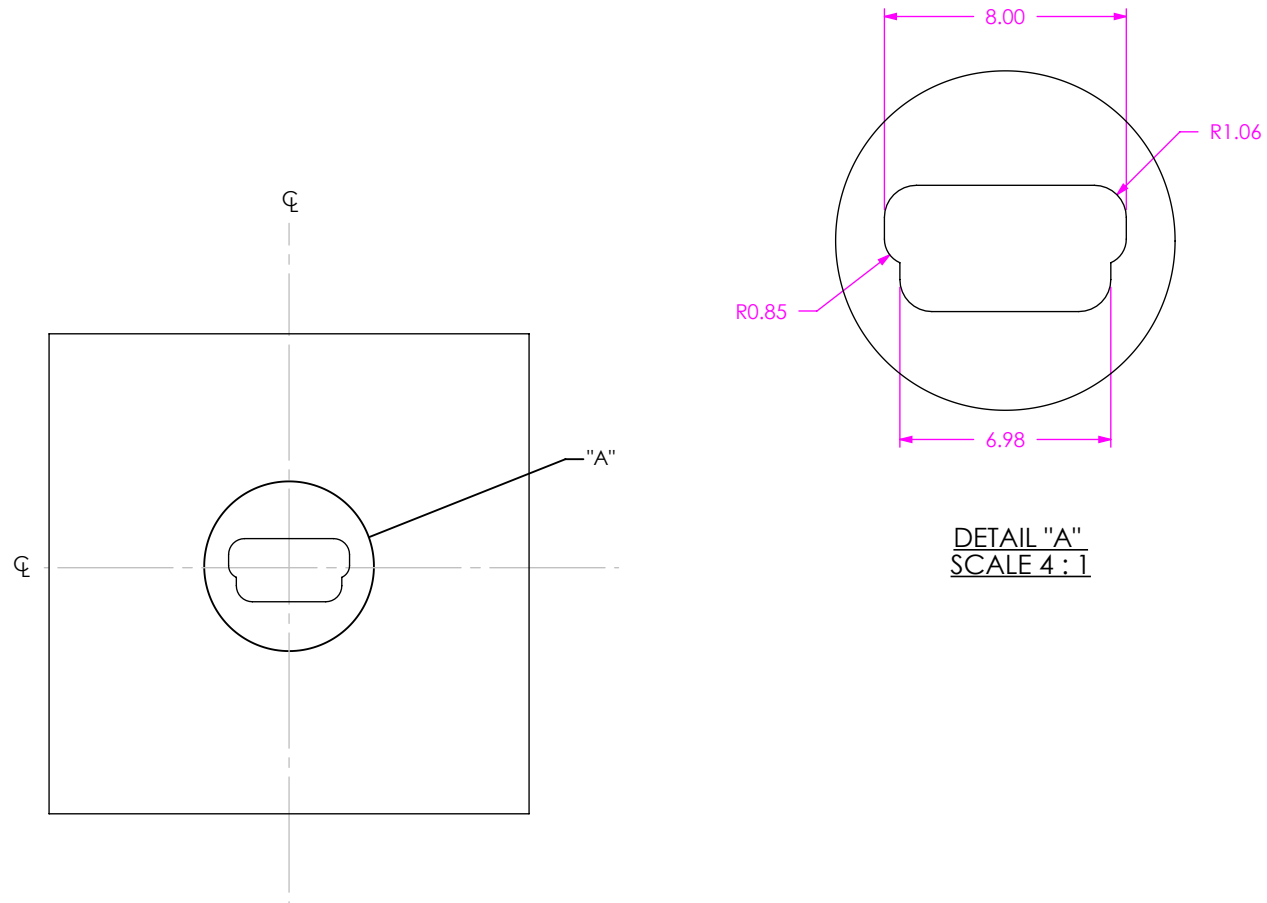


ALL DIMENSIONS ARE SYMMETRIC ABOUT THE CENTERLINE

PROPRIETARY NOTE
 THIS DOCUMENT CONTAINS CONFIDENTIAL AND PROPRIETARY INFORMATION AND ALL DESIGN, MANUFACTURING, REPRODUCTION, USE, PATENT RIGHTS AND SALES RIGHTS ARE EXPRESSLY RESERVED BY SAMTEC, INC. THIS DOCUMENT SHALL NOT BE DISCLOSED, IN WHOLE OR PART, TO ANY UNAUTHORIZED PERSON OR ENTITY NOR REPRODUCED, TRANSFERRED OR INCORPORATED IN ANY OTHER PROJECT IN ANY MANNER WITHOUT THE EXPRESS WRITTEN CONSENT OF SAMTEC, INC.



520 PARK EAST BLVD, NEW ALBANY, IN 47150
PHONE: 812-944-6733 FAX: 812-948-5047
e-Mail: info@SAMTEC.com code: 55322



RECOMMENDED PANEL CUT OUT

<p>PROPRIETARY NOTE</p> <p>THIS DOCUMENT CONTAINS CONFIDENTIAL AND PROPRIETARY INFORMATION AND ALL DESIGN, MANUFACTURING, REPRODUCTION, USE, PATENT RIGHTS AND SALES RIGHTS ARE EXPRESSLY RESERVED BY SAMTEC, INC. THIS DOCUMENT SHALL NOT BE DISCLOSED, IN WHOLE OR PART, TO ANY UNAUTHORIZED PERSON OR ENTITY NOR REPRODUCED, TRANSFERRED OR INCORPORATED IN ANY OTHER PROJECT IN ANY MANNER WITHOUT THE EXPRESS WRITTEN CONSENT OF SAMTEC, INC.</p>	<p>samtec</p> <p>520 PARK EAST BLVD, NEW ALBANY, IN 47150 PHONE: 812-944-6733 FAX: 812-948-5047 e-Mail: info@SAMTEC.com code: 55322</p>
<p>DO NOT SCALE DRAWING</p>	<p>DESCRIPTION: MUSBS-05-B-TH-XX-TR</p>
<p>SHEET SCALE: 1:1</p>	<p>DWG. NO. MUSBS-05-S-B-TH-XX-TR</p>
<p>F:\DWG\MISC\Mktg\Footprint\MUSBS-05-S-B-TH-XX-TR-FOOTPRINT.SLDDRW</p>	<p>BY: T NEWTON 11/19/2008 SHEET 2 OF 2</p>