

Ratings

Voltage: 300 V
 Temperature: -40~105 °C
 Flammability: VW-1

Conductor

Conductor count: 4
 Gauge: 20 AWG 0.52 mm²
 Material: tinned copper strands
 Strand size: $\phi 0.127 \times 41$
 Resistance at 20 °C: 36.7 Ω /km max

Insulator

Material: FEP
 Color: red, black, white, yellow
 Diameter: $\phi 1.25 \pm 0.10$
 Nominal thickness: 0.13 mm
 Resistance at 20 °C: 10 M Ω /km min

Filler

Material: aramid fiber

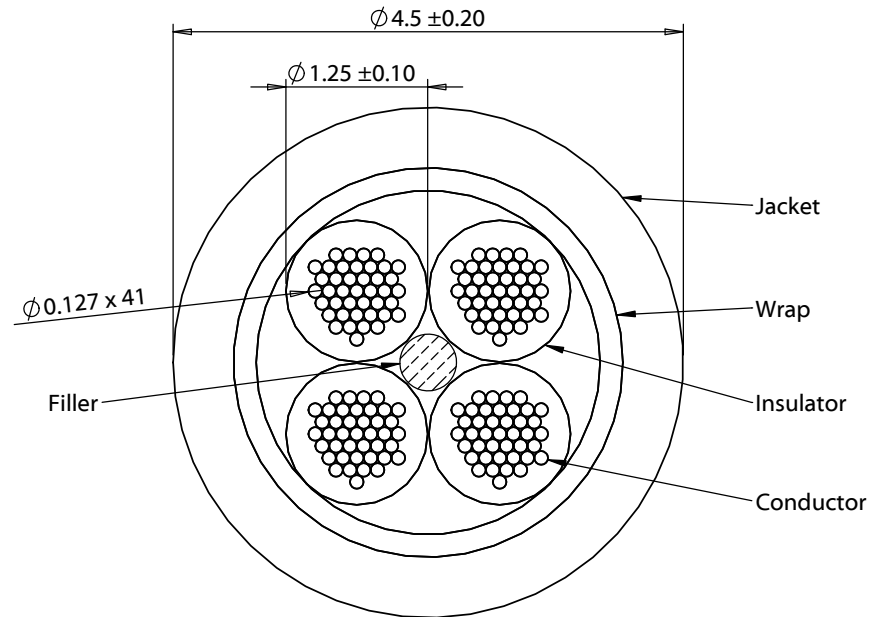
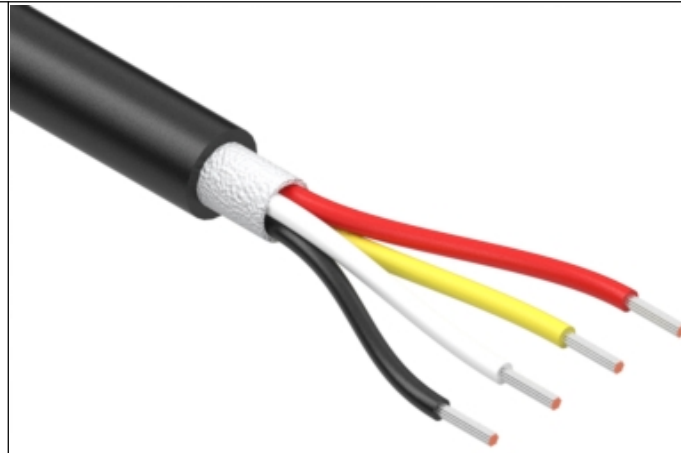
Wrap

Material: cotton paper

Outer jacket

Material: TPE
 Color: black
 Diameter: $\phi 4.5 \pm 0.20$
 Nominal thickness: 0.6 mm

Wire marking: E339579 UL AWM STYLE 21296 20 AWG 105°C 300V VW-1 --- cUL AWM I A 105°C 300V FT1 TENSILITY DGT



| | | |
|-----------|-----------|-----------------|
| Revision: | Date: | Description: |
| A | 4/28/2021 | Initial release |
| | | |
| | | |
| | | |

Prepared:
AW
Digitally signed by AW
 Date: 2021.04.28
 16:35:47 -07'00'

Verified:
JC
Digitally signed by JC
 Date: 2021.05.04
 16:04:15 -07'00'

Dimensions are in millimeters.
 Tolerances:
 X: ± 0.5 mm
 X.X: ± 0.3 mm
 X.XX: ± 0.05 mm

Notes:
 RoHS compliant
 Phthalate free
 Function test: no open, no short circuit, no intermittent

Description:
 Wire, 4C TS, 20 AWG, UL 21296, 300V, 105C, 4.5 mm, TPE

TENSILITY

tel 1.541.323.3228 800 877.670.7118
 fax 1.541.323.4202 web tensility.com

| | |
|-------------|--------------|
| Size: | Part number: |
| A | 30-01917 |
| Scale: 15:1 | Sheet 1 of 1 |