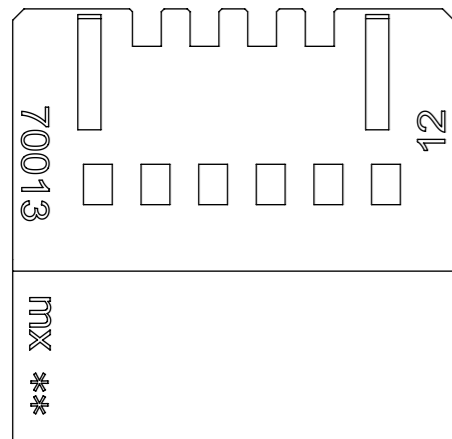
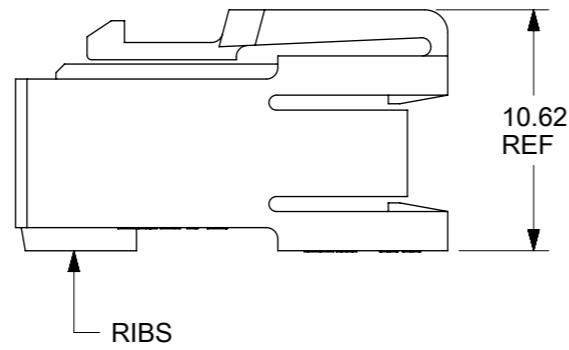
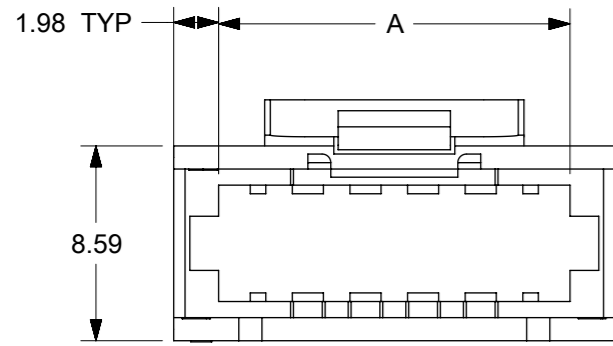
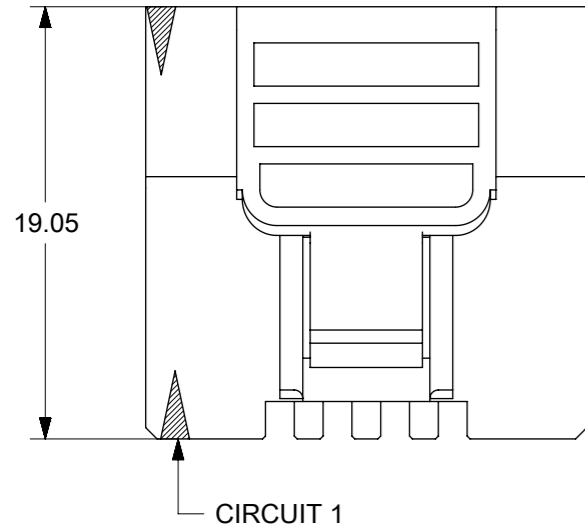


HOUSING OPTIONS WITH RIBS

HOUSING TO INTERIM CLIP RETENTION	HOUSING OPTION	SPRING CLIP 71809
STANDARD	B	NO
MEDIUM	D	NO
HIGH	B AND D	YES



CKTS	DIM A	OPTION B		OPTION D
		MATERIAL NO	ENG NO	MATERIAL NO:
6	7.87	15045064	70013-1006	NA
8	10.41	15045084	70013-1008	NA
10	12.95	15045104	70013-1010	NA
12	15.49	15045124	70013-1012	NA
14	18.03	15045144	70013-1014	NA
16	20.57	15045164	70013-1016	NA
18	23.11	15045184	70013-1018	NA
20	25.65	15045204	70013-1020	70013-3020
22	28.19	15045224	70013-1022	70013-3022
24	30.73	15045244	70013-1024	70013-3024
26	33.27	15045264	70013-1026	70013-3026
28	35.81	15045284	70013-1028	70013-3028
30	38.35	15045304	70013-1030	70013-3030
32	40.89	15045324	70013-1032	70013-3032
34	43.43	15045344	70013-1034	70013-3034
36	45.97	15045364	70013-1036	70013-3036
38	48.51	15045384	70013-1038	70013-3038
40	51.05	15045404	70013-1040	70013-3040
42	53.59	15045424	70013-1042	70013-3042
44	56.13	15045444	70013-1044	70013-3044
46	58.67	15045464	70013-1046	70013-3046
48	61.21	15045484	70013-1048	70013-3048
50	63.75	15045504	70013-1050	70013-3050

SYMBOLS DIMENSION UNITS: mm SCALE: 3:1 GENERAL TOLERANCES (UNLESS SPECIFIED) ANGULAR TOL ± ° 4 PLACES ± 3 PLACES ± 2 PLACES ± 0.25 1 PLACE ± 0.38 0 PLACES ± 0.0 DRAFT WHERE APPLICABLE MUST REMAIN WITHIN DIMENSIONS THIRD ANGLE PROJECTION DRAWING: A3-SIZE SERIES: 70013	THIS DRAWING CONTAINS INFORMATION THAT IS PROPRIETARY TO MOLEX ELECTRONIC TECHNOLOGIES, LLC AND SHOULD NOT BE USED WITHOUT WRITTEN PERMISSION CURRENT REV DESC: EC NO: 635923 DRWN: SMAHAJANSHET 2020/04/15 CHK'D: NCSR 2020/04/15 APPR: NCSR 2020/04/15 INITIAL REVISION: DRWN: KSAMIEC 2017/07/10 APPR: FSMITH 2017/07/18			 SL DUAL ROW INTERIM CLIP PRODUCT CUSTOMER DRAWING		
	DOCUMENT NUMBER: 700130000-SD DOC TYPE: PSD DOC PART: 000 REVISION: B					
	MATERIAL NUMBER: SEE CHART CUSTOMER: GENERAL MARKET SHEET NUMBER: 2 OF 3					

