

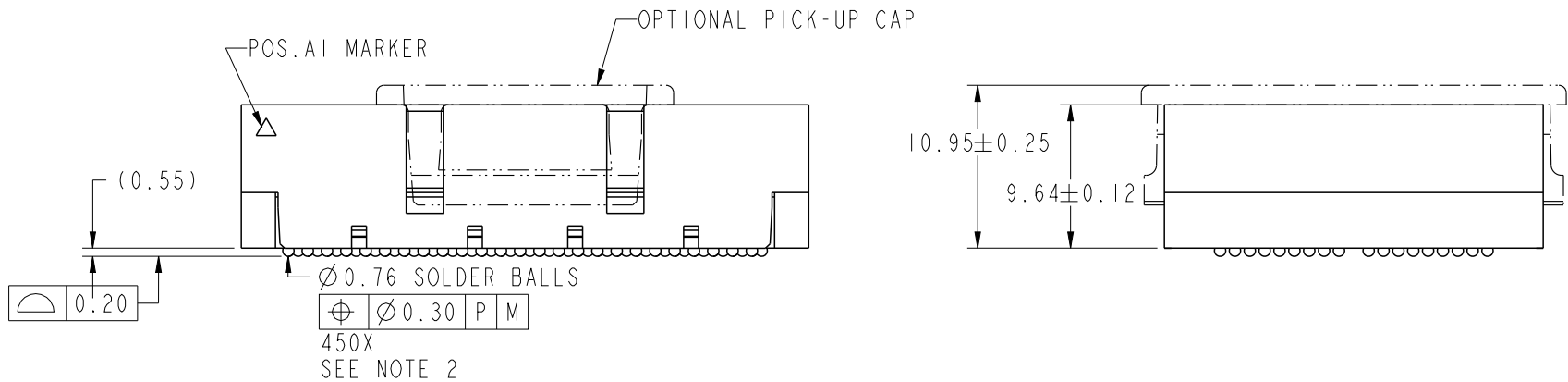
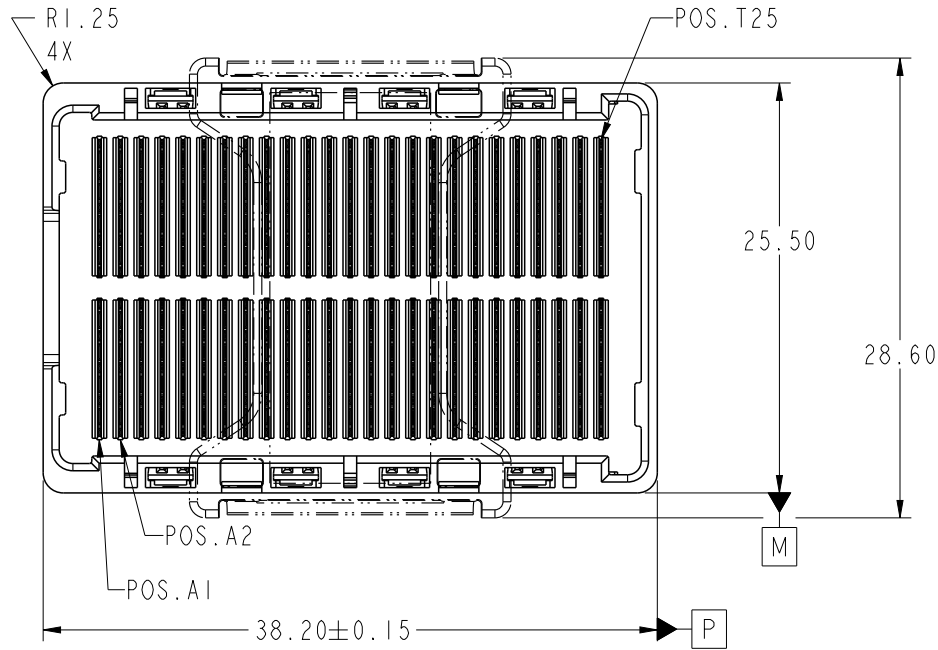
rev	ecn no	dr	date
A	V06-0001	DAI	2006-01-10
B	V06-0109	LP	2006-04-21
C	V06-0558	LP	2006-06-12
D	V08-0329	SM	2008-11-15

A

B

C

D



spec ref	-	dr	Bill Lin	2010/02/02	projection 	mm 	size	A4	scale	3:10
tolerance std	ASME Y14.5	eng	Nickor Zuo	2011/06/09			ecn no	ELX-DG-003943-1		
	TOLERANCES UNLESS OTHERWISE SPECIFIED	chr	Alex Cao	2011/06/24			product family	GIG-Array		
		appr	Pei-Ming Zheng	2011/06/27			rel level	Released		
surface		linear	0.X	± 0.30	 title GIG-Array 10mm PLUG ASSY. 200 SIG. POS.	dwg no 55737	rev	E		
			0.XX	± 0.10			cat. no.	Product - Customer Drw	sheet 1 of 5	
			0.XXX	± 0.05						
		angular	0°	$\pm 2^\circ$	www.fci.com					

ProjE File - REV C - 2009-06-09

2

3

PDS: Rev :E

STATUS:Released

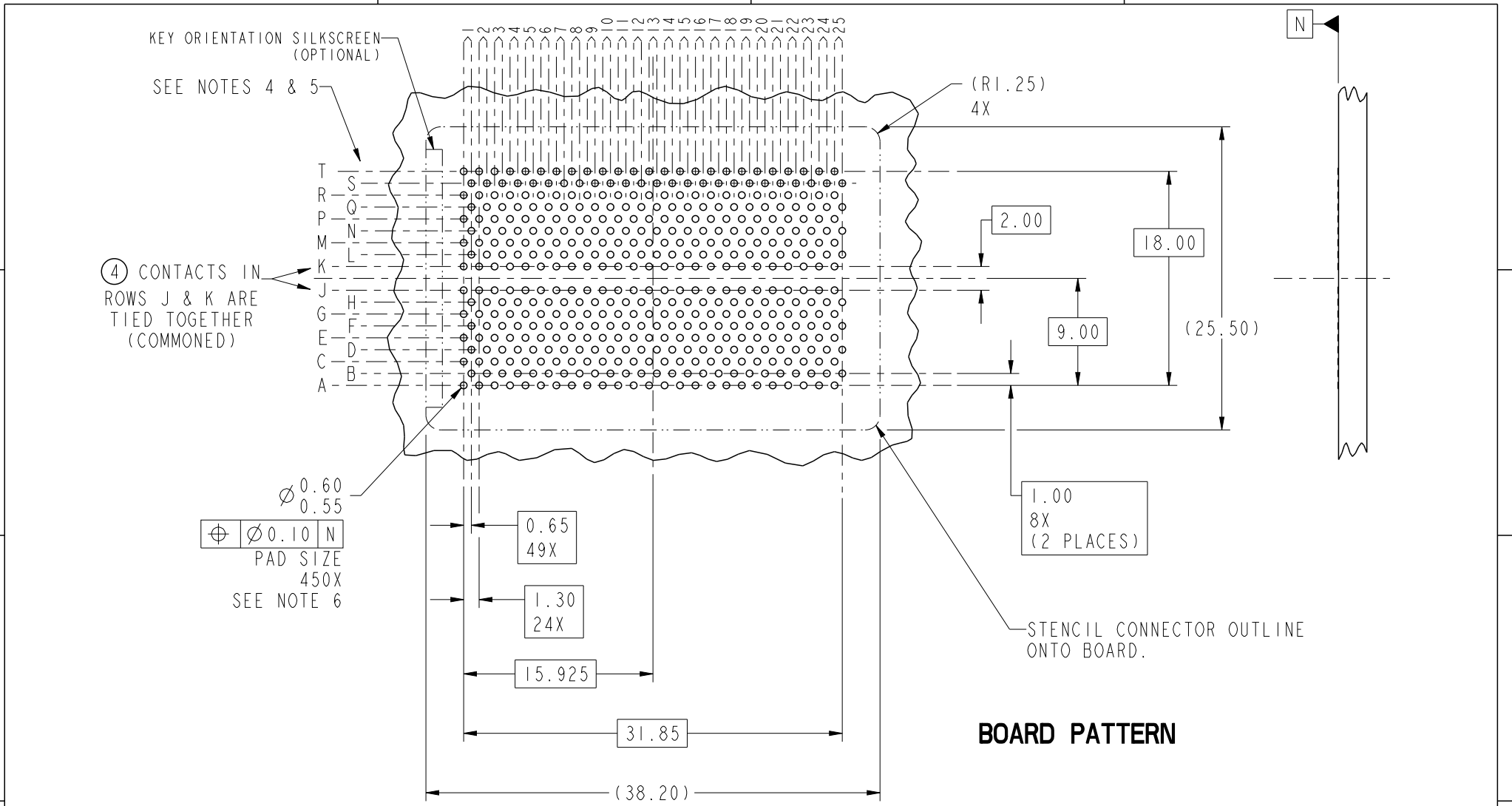
Printed: Jun 27, 2011

FCI

Copyright FCI.



Copyright FCI.



$\varnothing 0.60$
 $\varnothing 0.55$
 $\varnothing 0.10$ N
 PAD SIZE
 450X
 SEE NOTE 6

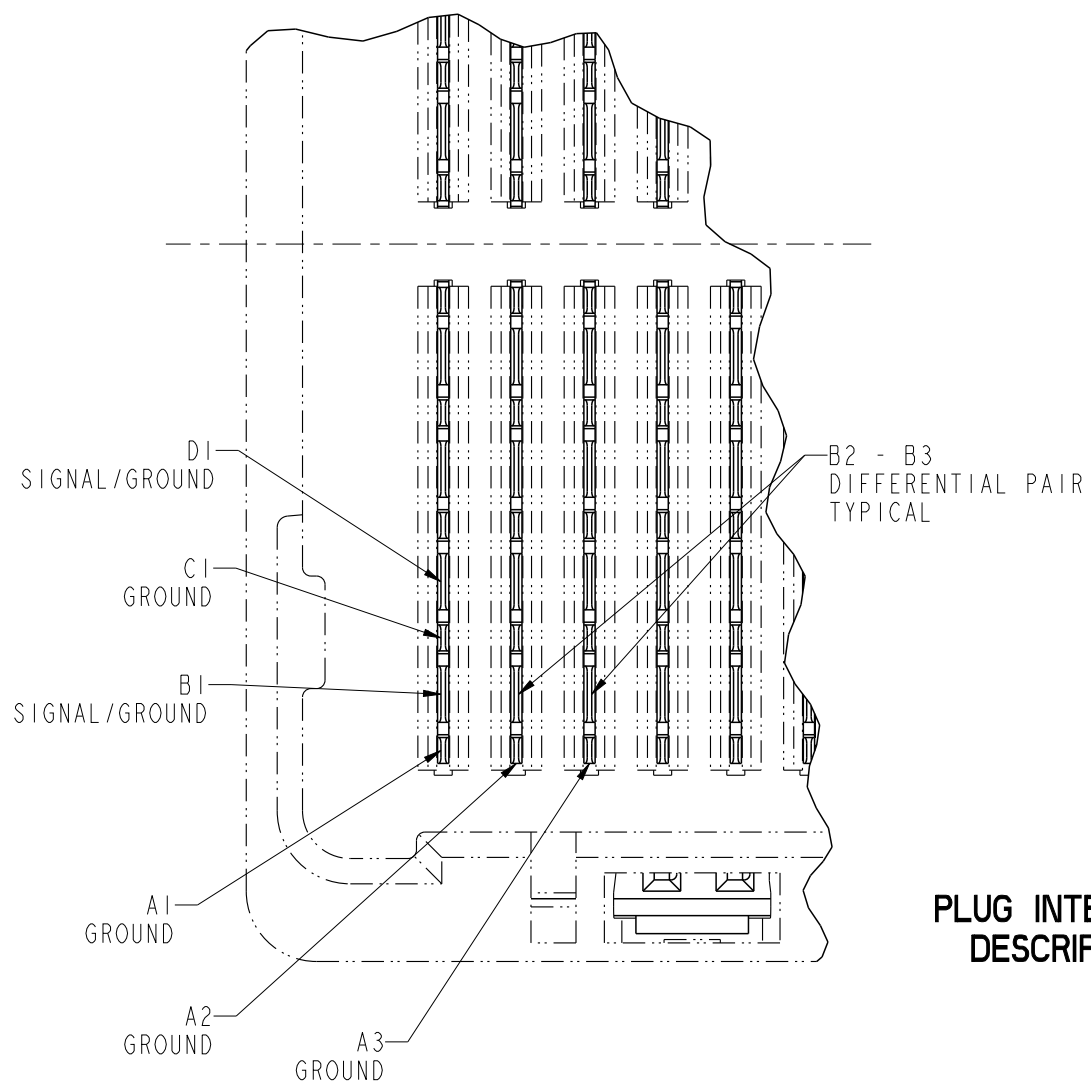
BOARD PATTERN

spec ref	-	dr	Bill Lin	2010/02/02	projection		size	A4	scale	21:10		
tolerance std	ASME Y14.5	eng	Nickor Zuo	2011/06/09			ecn no	ELX-DG-003943-1				
TOLERANCES UNLESS OTHERWISE SPECIFIED		chr	Alex Cao	2011/06/24			product family	GIG-Array	rel level	Released		
surface	✓	appr	Pei-Ming Zheng	2011/06/27	title		GIG-Array		dwg no	55737	rev	E
	linear				www.fci.com		cat. no.		Product - Customer Drw		sheet 2 of 5	
	angular											

ProjE File - REV C - 2009-06-09



Copyright FCI.

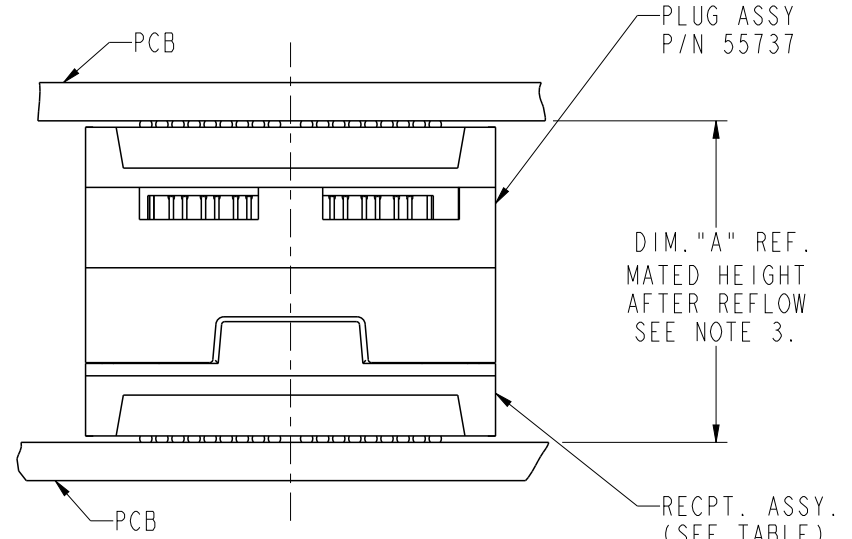
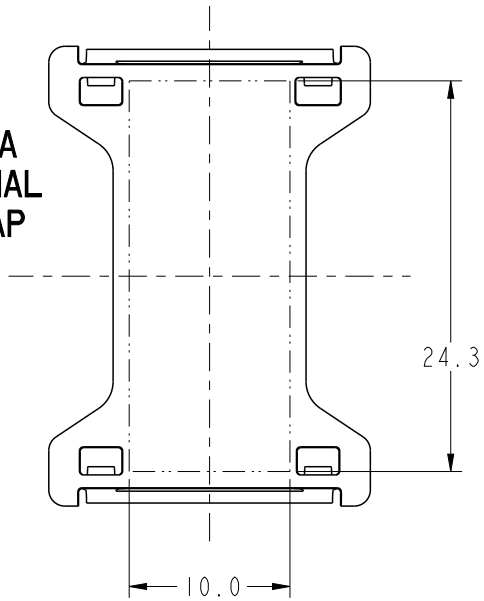


PLUG INTERFACE DESCRIPTION

spec ref		-		dr	Bill Lin	2010/02/02	projection 	mm 	size	A4	scale	3:10			
tolerance std	ASME Y14.5	TOLERANCES UNLESS OTHERWISE SPECIFIED				eng			Nickor Zuo	2011/06/09	ecn no	ELX-DG-003943-1			
						chr			Alex Cao	2011/06/24		product family	GIG-Array		rel level
surface	✓	linear	0.X	±0.30	 www.fci.com	title			dwg no	55737					
			0.XX	±0.10		GIG-Array							rev	E	
			0.XXX	±0.05		10mm PLUG ASSY. 200 SIG. POS.									
		angular	0°	±2°	cat. no.	Product - Customer Drw			sheet 3 of 5						

PreE File - REV C - 2009-06-09

FLAT AREA
FOR OPTIONAL
PICK-UP CAP



END VIEW OF MATED CONNECTORS

DIM. "A"	RECPT. ASSY. P/N
15	55740
20	10026010
25	55741



Copyright FCI.

spec ref		-		dr	Bill Lin	2010/02/02	projection 	mm 	size	A4	scale	3:10				
tolerance std	ASME Y14.5	TOLERANCES UNLESS OTHERWISE SPECIFIED		eng	Nickor Zuo	2011/06/09			ecn no	ELX-DG-003943-1						
				chr	Alex Cao	2011/06/24				rel level	Released					
surface	✓	linear	0.X	±0.30	FCI 	title			GIG-Array		10mm PLUG ASSY. 200 SIG. POS.	dwg no	55737	rev	E	
			0.XX	±0.10			www.fci.com	cat. no.		Product - Customer Drw						sheet 4 of 5
			0.XXX	±0.05												
		angular	0°	±2°												

PRODUCT NUMBER	SOLDER BALL COMPOSITION	CONTACT PLATING PERFORMANCE LEVEL
55737-001	STANDARD (EUTECTIC)	PERFORMANCE-BASED PLATING, QUALIFIED TO MEET THE REQUIREMENTS OF FCI PRODUCT SPECIFICATION GS-12-192, INCLUDING TELCORDIA CENTRAL OFFICE Au over Ni
55737-001LF	LEADFREE	
55737-201	STANDARD (EUTECTIC)	
55737-201LF	LEADFREE	

NOTES:

- ① MAT'L:
HOUSING: LCP
CONTACT: COPPER ALLOY
PLATING (CONTACT): Au OVER Ni.
UL RATING: 94 V-0
SOLDERBALL: (SEE TABLE) EUTECTIC
SnPb OR LEAD FREE 95.5 Sn/4Ag/0.5Cu.
- ② SOLDER BALLS WILL NOT BE PERFECT SPHERICAL SHAPE DUE TO REFLOW ATTACHMENT.
- ③ MATED HEIGHT EFFECTED BY CUSTOMERS' PCB PAD SIZE, PLATING, SOLDER REFLOW PROFILE & SOLDER PASTE.
- ④ CONTACTS IN ROWS A,C,E,G,J,K,M,P,R AND T ARE SINGLE BEAM CONTACTS, TYPICALLY USED AS GROUND PINS.
(NOTE: CONTACTS IN ROWS J & K ARE TIED TOGETHER [COMMONED])
- ⑤ CONTACTS IN ROWS B,D,F,H,L,N,Q AND S ARE DUAL BEAM CONTACTS, TYPICALLY USED AS SIGNAL PINS.

- ⑥ SPECIFIED POSITIONAL TOLERANCE DEFINES PAD TO PAD LOCATION WITHIN LAND PATTERN. POSITIONAL TOLERANCE OF LAND PATTERN TO FUDICIAL MARKS OR PCB DATUMS SHALL BE DEFINED BY CUSTOMER. FOR RECOMMENDED PRODUCT APPLICATION AND PCB DESIGN DETAILS, SEE DOC. NO. GS-20-016.
- ⑦ FOR PROPER APPLICATION FOLLOW FCI APPLICATION SPECIFICATION GS-20-033. LEAD FREE SOLDER BALLS WILL NOT SOLDER PROPERLY IN A LEADED SOLDER PROCESS DUE TO A HIGHER REFLOW TEMPERATURE. LEADFREE PRODUCT IS THEREFORE NOT BACKWARDS COMPATIBLE WITH LEADED OR SOME SOLDERING APPLICATIONS. REFERENCE FCI APPLICATION SPECIFICATION.
- ⑧ THIS PRODUCT MEETS THE EUROPEAN UNION DIRECTIVES AND OTHER COUNTRY REGULATIONS AS DESCRIBED IN GS-22-008. PRODUCT MEETING THIS DIRECTIVE IS IDENTIFIED IN THE CODE NUMBER MARKED ON EACH PART BY HAVING AN "X" IN THE SEVENTH CHARACTER POSITION.

spec ref	-	dr	Bill Lin	2010/02/02	projection 	mm 	size	A4	scale	3:10											
tolerance std	TOLERANCES UNLESS OTHERWISE SPECIFIED	eng	Nickor Zuo	2011/06/09			ecn no	ELX-DG-003943-1													
ASME Y14.5		chr	Alex Cao	2011/06/24				rel level	Released												
surface	<table border="1"> <tr> <td>linear</td> <td>0.X</td> <td>±0.30</td> </tr> <tr> <td></td> <td>0.XX</td> <td>±0.10</td> </tr> <tr> <td></td> <td>0.XXX</td> <td>±0.05</td> </tr> <tr> <td>angular</td> <td>0°</td> <td>±2°</td> </tr> </table>	linear	0.X	±0.30		0.XX	±0.10		0.XXX	±0.05	angular	0°	±2°	appr	Pei-Ming Zheng	2011/06/27	product family	GIG-Array		rev	
linear		0.X	±0.30																		
	0.XX	±0.10																			
	0.XXX	±0.05																			
angular	0°	±2°																			
-				title	GIG-Array		dwg no	55737													
		www.fci.com	cat. no.	Product - Customer Drw			sheet	5 of 5													



Copyright FCI.