

(2.00 mm) .0787" PITCH • CABLE ASSEMBLY/COMPONENTS



SERIES	PINS PER ROW	WIRE GAUGE	PLATING OPTION	ASSEMBLED LENGTH	END OPTIONS	END 2 OPTIONS
S2SD = Double Row PVC Cable	-05, -07, -10, -15, -20, -25, -30 (Standard sizes)	-24 -24C = Color Coded Cable (S2SD only)	-L = 10 μ" (0.25 μm) Gold on contact	-"XX.XX" = Wire Length in Inches (69.85 mm) 02.75" min.	-S = Single End -D = Double End	(Only available with -D, -DR & -DS) -NUS = Notch up, straight (Pin 1 to Pin N-1) -NDS = Notch down, straight (Pin 1 to Pin 2) -NUX = Notch up, crossed (Pin 1 to Pin N) -NDX = Notch down, crossed (Pin 1 to Pin 1)
S2SDT = Double Row Blue *Teflon® Cable (24, 28, 30 Gauge only)		-26 -28 -30			Specify "S" for single ended and "D" for double ended. -(XR) = Retention Latch (-SR mates with T2M-WT) -(XS) = Screw Down (10 positions minimum) (mates with T2M-DS)	

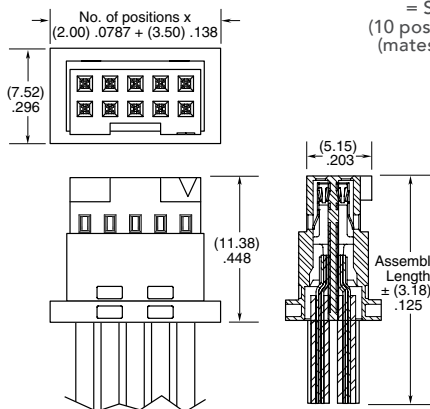
S2SD(T)
Board Mates:
T2M

SPECIFICATIONS

Insulator Material: Black LCP
Contact Material: BeCu
Plating: Au over 50 μ" (1.27 μm) Ni
Wire: 24, 26, 28 or 30 AWG
Operating Temp Range: -10 °C to +105 °C (PVC) -40 °C to +125 °C (*Teflon®)
Current Rating (S2SD-24/T2M): 3.8 A per pin (2 pins powered)
Voltage Rating: 250 VAC

-24C CABLE COLOR CODING

PIN	COLOR
1	BROWN
2	RED
3	ORANGE
4	YELLOW
5	GREEN
6	VIOLET
7	GRAY
8	WHITE
9	BLACK
10	BLUE
ETC	REPEAT



*DuPont™ Teflon® is a registered trademark of the E.I. du Pont de Nemours and Company or its affiliates.

Notes: Teflon® cable is intended for crimp only. Contact Samtec for solderable cable applications.

For wiring option information refer to drawings on web.

View complete specifications at: samtec.com?S2SD and samtec.com?S2SDT

ISD2	POSITIONS PER ROW	ROW OPTION	LATCH OPTION	SERIES	WIRE GAUGE	01	L
	-05, -07, -10, -15, -20, -25, -30 (Standard sizes)	-D = Double Row	-M = Metal Retention Latch -S = Screw Down	CC81L = Contact, Loose CC81R = Contact, Full Reel (17,000 Parts per Reel)	-2426 = 24 to 26 AWG -2830 = 28 to 30 AWG		-L = 10 μ" (0.25 μm) Gold on contact

Dimensions shown: (2.07) .081, (2.64) .104, (2.03) .080, (2.00) .079 DIA, (3.68) .145, (1.78) .070.

Dimensions shown: (12.35) .486, (3.17) .125.

TOOLING

Hand Tool: CAT-HT-281-2430-13	Mini Applicator: CAT-MC-281-2426-XX-01 (24-26 AWG)
Extraction Tool: CAT-EX-169-01	Mini Applicator: CAT-MC-281-2830-XX-01 (28-30 AWG)

Note: Some lengths, styles and options are non-standard, non-returnable.

View complete specifications at: samtec.com?ISD2, samtec.com?CC81R & samtec.com?CC81L