

NDN63 and NDN111 high SCCR feed through blocks



NDN63-WH



NDN111-BK

Catalog numbers:

- NDN63-WH (white)
- NDN111-WH (white)
- NDN-111-BK (black)

Description:

Eaton's Bussmann series NDN63 and NDN111 are high-density, snap-on DIN-Rail mount three-pole terminal blocks featuring a high Short-Circuit Current Rating (SCCR) when protected by specific, tested upstream overcurrent protective devices (see SCCR data table for details).

Specifications:

Ratings

- Volts: 600 Vac/dc
- Amps:
 - 65 A (NDN63)
 - 90 A (NDN111)
- SCCR:
 - 10 kA default
 - Up to 100 kA (see SCCR data on page 2)

Agency information

- UL 1059 Recognized, Guide XCFR2, File E62622
- General Industry Class per UL 1059, usage Category C
- RoHS compliant

Mechanical

- 3-pole configuration
- 35 mm DIN-Rail and C-rail mount
- Panel mount (NDN111)
- 0.375" (9.52 mm) pole-to-pole spacing (NDN63)
- 0.635" (16.13 mm) pole to pole spacing (NDN111)
- Flammability: UL 94 V2

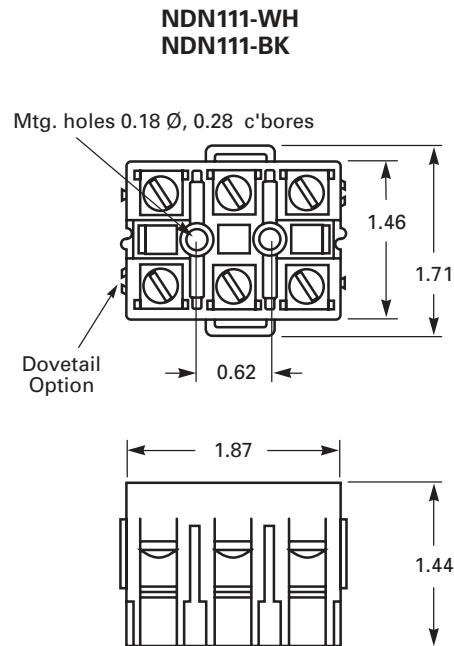
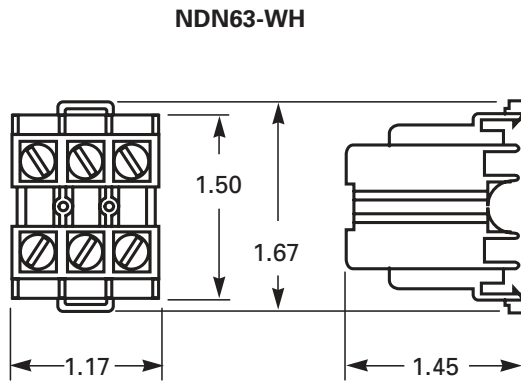
Conductors

Catalog no.	Wire size Cu (AWG)	Torque (lb-in)
NDN63-WH	6-18 Sol/Str	35
	(2) 10 Sol/Str	
	(2) 14 Sol/Str	
NDN111-WH	2-14 Str	32
NDN111-BK	14 Sol	

Accessories

- Marking tape MT12-1/2

Dimensions - in:



Short-Circuit Current Rating data

The high SCCR of these blocks relies upon the tested, upstream overcurrent protective devices listed in this table

Catalog no.	Amps	Cu wire range line and load (AWG)	Torque lb-in (max)	(1) Cu wire range (AWG)	Max. Fuse Class and Amp*				SCCR (kA)	Min. enclosure size (in)
					LPJ	JJN, JJS	LPN-RK, LPS-RK	FRN-R, FRS-R		
NDN63-WH	65	6 to 18 Str 14 to 18 Sol	35	6 to 18 Str 14 to 18 Sol	100	100	30	30	100	8 x 8 x 4
NDN111-WH NDN111-BK	90	2 to 14 Str 14 Sol	32	2 to 14 Str 14 Sol	200	200	30	60	100	8 x 8 x 4

* Class G 60A (SC-60) or less or Class CC 30A (LP-CC-30, FNQ-R-30, KTK-R-30) or less are suitable for all SCCRs in this table.

The only controlled copy of this data sheet is the electronic read-only version located on the Eaton network drive. All other copies of this document are by definition uncontrolled. This bulletin is intended to clearly present comprehensive product data and provide technical information that will help the end user with design applications. Eaton reserves the right, without notice, to change design or construction of any products and to discontinue or limit distribution of any products. Eaton also reserves the right to change or update, without notice, any technical information contained in this bulletin. Once a product has been selected, it should be tested by the user in all possible applications.

Eaton
1000 Eaton Boulevard
Cleveland, OH 44122
Eaton.com

Bussmann Division
114 Old State Road
Ellisville, MO 63021
United States
Eaton.com/bussmannseries

© 2016 Eaton
All Rights Reserved
Printed in USA
Publication No. 10615 — BU-MC16125
October 2016

For Eaton's Bussmann series product information, call **1-855-287-7626** or visit: **Eaton.com/bussmannseries**



Eaton and Bussmann are valuable trademarks of Eaton in the U.S. and other countries. You are not permitted to use the Eaton trademarks without prior written consent of Eaton.

Follow us on social media to get the latest product and support information.

