



456.5 MHz Cavity Band Pass Filter

ANATECH ELECTRONICS INC
RF & Microwave Filters & Products

Part Number: AE456B11631



Electrical Specifications

Center Frequency: 456.5 MHz
Bandwidth: 11 MHz
Passband: 451-462 MHz
Insertion Loss: 1.0 dB Max.
Return Loss : 15 dB Min.
Rejection1: ≥ 60dB @ 415-425 MHz
Power Handling: 20W

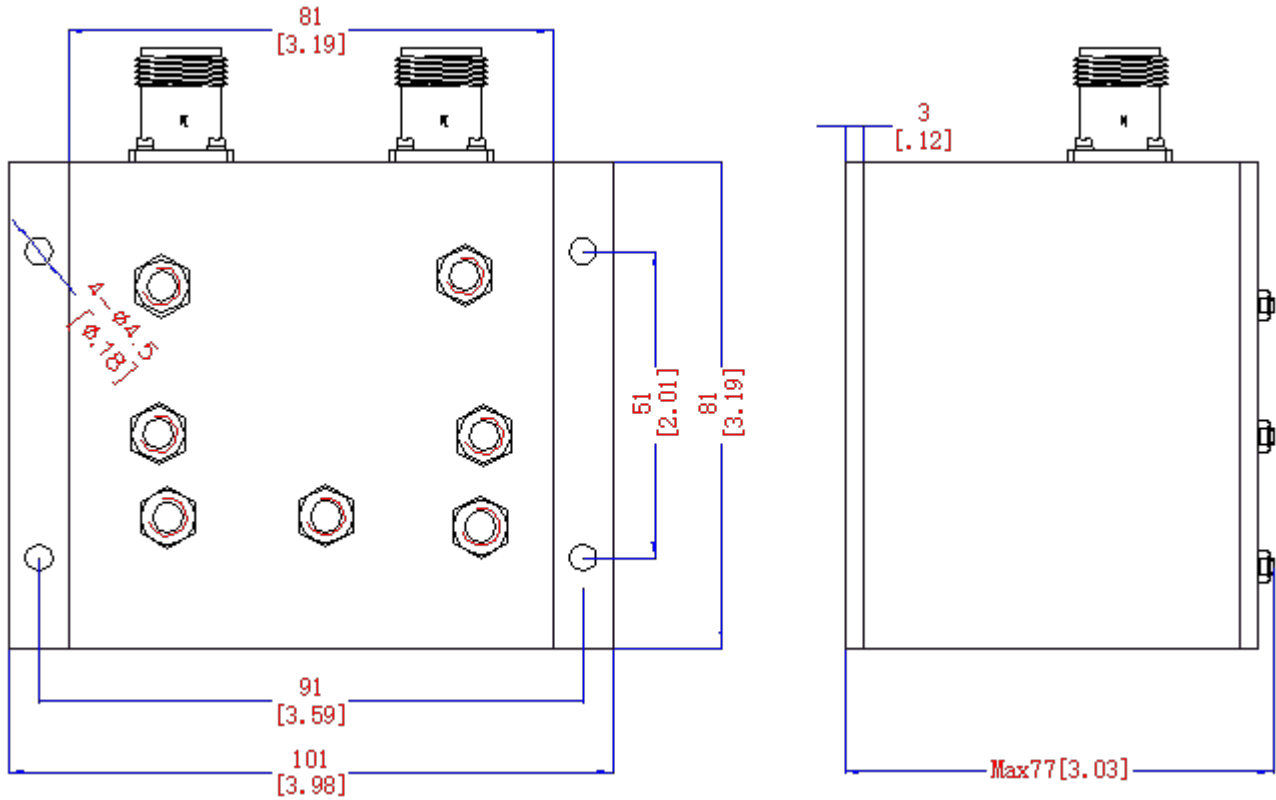
Mechanical

Mounting Method: Through Holes with Bracket
Connector Type: N-type(F)
Dimensions: 3.19" X 3.98" x 3.03"

Environmental

Operating Temperature: -25°C to +70°C
Storage Temperature: -55°C to +90°C
Shock: 20 G. 11ms
Vibration: 20 G. 5 to 200Hz

Outline Drawing:



2 decimal places: +/-0.01 inches [+/- 0.3mm]

3 decimal places: +/- 0.005 inches [+/- 0.13mm]

Angles: +/- 1 Deg.

When max dimensions are called out the above tolerances do not apply as long as it is under the max call out.

70 Outwater Lane Phone: (973) 772-4242
Garfield, NJ 07026 Fax : (973) 321-3941

Email: sales@anatechelectronics.com
Web: www.anatechelectronics.com