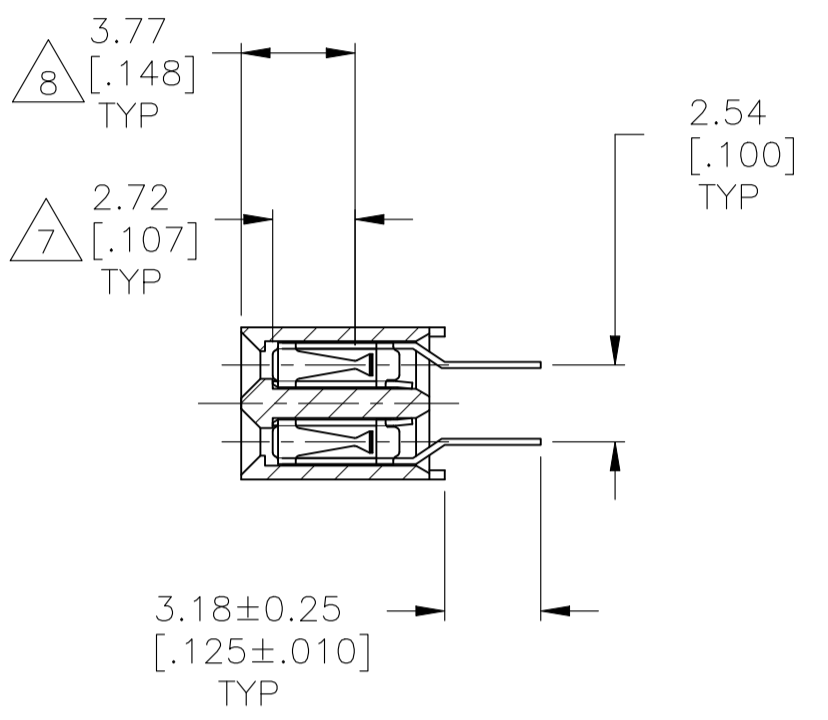
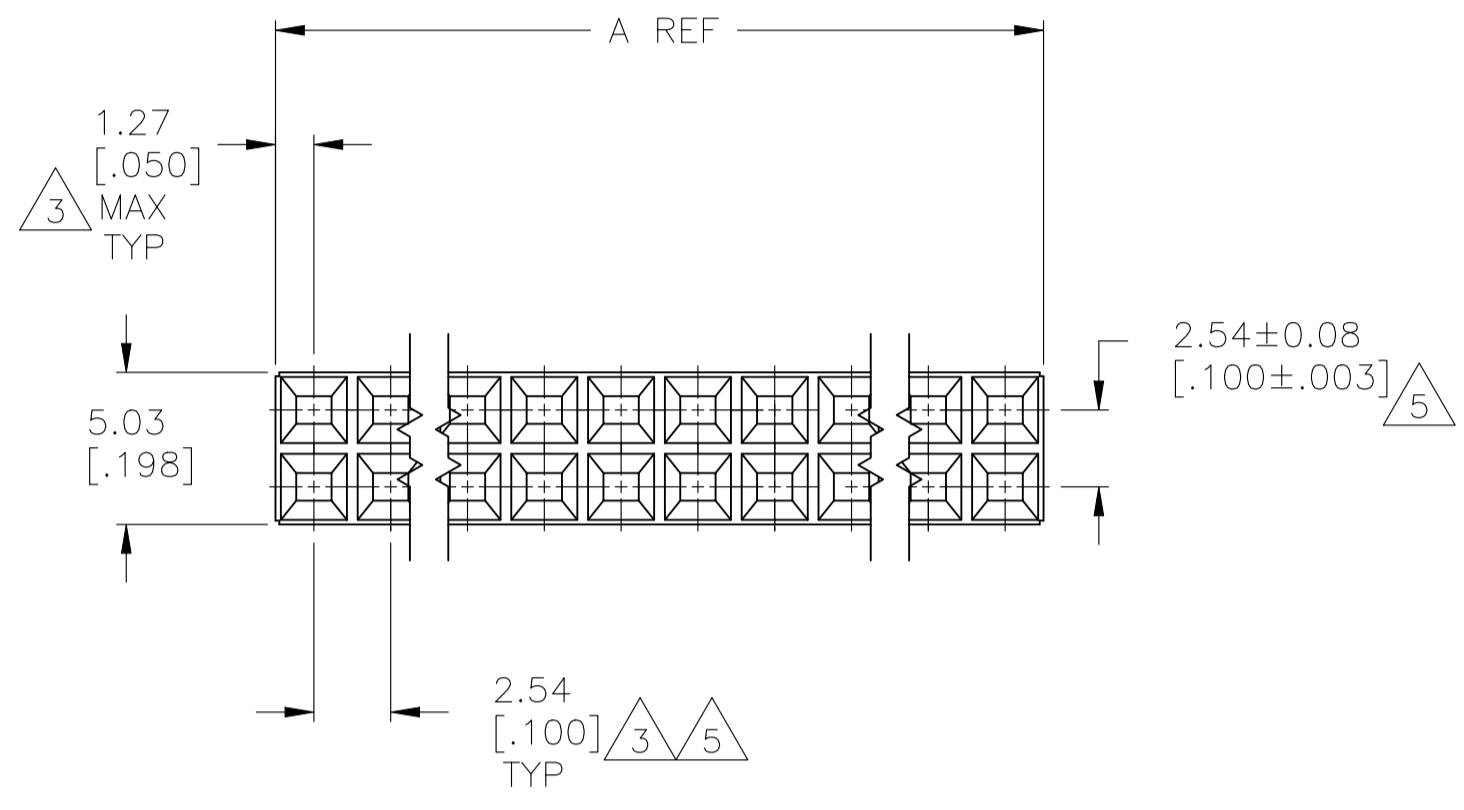


- 1 HOUSING: FLAME RETARDANT, GLASS FILLED, THERMOPLASTIC, COLOR: BLACK.
CONTACT: PHOSPHOR BRONZE
- 2 CONTACT: AREA, 2.54-5.08µm[.000100-.000200] BRIGHT TIN-LEAD OVER 1.27µm[.000050] MIN NICKEL
- 3 THESE DIMENSIONS PERTAIN TO CAVITY CENTERLINES ONLY - NOT TO CONTACT LOCATIONS
- 4 MARK PART NUMBER AND DATE CODE ARE MARKED IN APPROXIMATE LOCATION SHOWN, EITHER SIDE.
- 5 TOLERANCE IS NON-CUMULATIVE.
- 6 2 POSITION DATE CODE IS MARKED OPPOSITE SIDE OF TE LOGO.
- 7 POINT-OF-MEASUREMENT DIMENSION FOR PLATING THICKNESS (INSIDE CONTACT BEAM).
- 8 POINT-OF-CONTACT DIMENSION.
- 9 CONTACT: AREA, 2.54-5.08µm[.000100-.000200] MATTE TIN OVER 1.27µm[.000050] MIN NICKEL
- 10 TE TRADEMARK AND CSA LOGO ARE MOLDED INTO HOUSING, THIS LOCATION.
- 11 NO PART NUMBER MARKING REQUIRED FOR THIS PART.
- 12 ROHS 2002/95/EC COMPLIANT.



96.52[3.800]	99.06[3.900]	78	12	9-535585-0
93.98[3.700]	96.52[3.800]	76	12	8-535585-9
91.44[3.600]	93.98[3.700]	74	12	8-535585-8
88.90[3.500]	91.44[3.600]	72	12	8-535585-7
86.36[3.400]	88.90[3.500]	70	12	8-535585-6
83.82[3.300]	86.36[3.400]	68	12	8-535585-5
81.28[3.200]	83.82[3.300]	66	12	8-535585-4
78.74[3.100]	81.28[3.200]	64	12	8-535585-3
76.20[3.000]	78.74[3.100]	62	12	8-535585-2
71.12[2.800]	73.66[2.900]	58	12	8-535585-1
68.58[2.700]	71.12[2.800]	56	12	8-535585-0
66.04[2.600]	68.58[2.700]	54	12	7-535585-9
63.50[2.500]	66.04[2.600]	52	12	7-535585-8
58.42[2.300]	60.96[2.400]	48	12	7-535585-7
55.88[2.200]	58.42[2.300]	46	12	7-535585-6
53.34[2.100]	55.88[2.200]	44	12	7-535585-5
50.80[2.000]	53.34[2.100]	42	12	7-535585-4
99.06[3.900]	101.60[4.000]	80	12	7-535585-3
73.66[2.900]	76.20[3.000]	60	12	7-535585-2
60.96[2.400]	63.50[2.500]	50	12	7-535585-1
48.26[1.900]	50.80[2.000]	40	12	7-535585-0
45.72[1.800]	48.26[1.900]	38	12	6-535585-9
43.18[1.700]	45.72[1.800]	36	12	6-535585-8
40.64[1.600]	43.18[1.700]	34	12	6-535585-7
38.10[1.500]	40.64[1.600]	32	12	6-535585-6
35.56[1.400]	38.10[1.500]	30	12	6-535585-5
33.02[1.300]	35.56[1.400]	28	12	6-535585-4
30.48[1.200]	33.02[1.300]	26	12	6-535585-3
27.94[1.100]	30.48[1.200]	24	12	6-535585-2
25.40[1.000]	27.94[1.100]	22	12	6-535585-1
22.86[.900]	25.40[1.000]	20	12	6-535585-0
20.32[.800]	22.86[.900]	18	12	5-535585-9
17.78[.700]	20.32[.800]	16	12	5-535585-8
15.24[.600]	17.78[.700]	14	12	5-535585-7
12.70[.500]	15.24[.600]	12	12	5-535585-6
10.16[.400]	12.70[.500]	10	12	5-535585-5
-	7.62[.300]	8	12	5-535585-4
-	5.08[.200]	6	12	5-535585-3
-	2.54[.100]	4	12	5-535585-2
-	0.16[.050]	2	12	5-535585-1

FINISH	B	A	NO OF POSN	PART NUMBER
SUPERSEDED BY 6-535585-0				
SUPERSEDED BY 5-535585-9				
SUPERSEDED BY 5-535585-8				
SUPERSEDED BY 5-535585-3				
SUPERSEDED BY 5-535585-9				
SUPERSEDED BY 5-535585-8				
SUPERSEDED BY 5-535585-7				
SUPERSEDED BY 5-535585-6				
SUPERSEDED BY 5-535585-5				
SUPERSEDED BY 5-535585-4				
SUPERSEDED BY 5-535585-3				
SUPERSEDED BY 5-535585-2				
SUPERSEDED BY 5-535585-1				

THIS DRAWING IS A CONTROLLED DOCUMENT.

DIN M. BINNER 06NOV2002
CHK J. JOLSON 06NOV02
APPD J. JOLSON 06NOV02

TE Connectivity
STE

RECEPTACLE ASSEMBLY, MOD IV,
DOUBLE ROW, DUAL ENTRY, .100X.100CL,
VERTICAL MOUNT, AMPMODU

PRODUCT SPEC 108-25022
APPLICATION SPEC 114-25018

SIZE CAGE CODE DRAWING NO RESTRICTED TO
A1 00779 535585

CUSTOMER DRAWING SCALE 1:1 SHEET 1 of 1 REV T