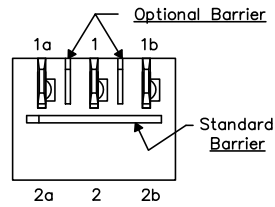


THIS INFORMATION IS CONFIDENTIAL AND PROPRIETARY TO CW INDUSTRIES INCORPORATED AND ITS AFFILIATES. IT MAY NOT BE DISCLOSED TO ANYONE OTHER THAN CW INDUSTRIES PERSONNEL WITHOUT WRITTEN AUTHORIZATION FROM CW INDUSTRIES INCORPORATED, SOUTHAMPTON, PENNSYLVANIA USA.

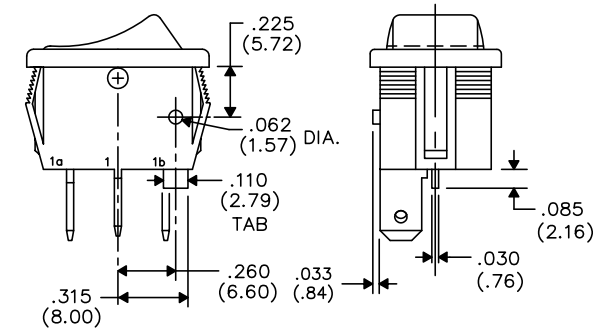
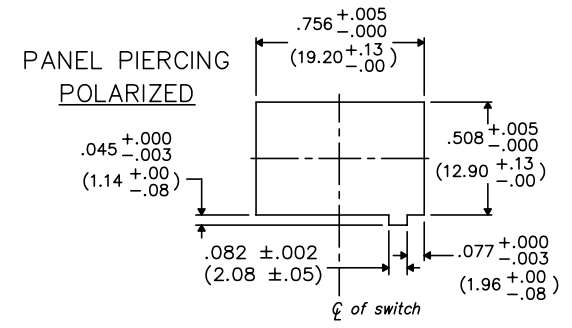
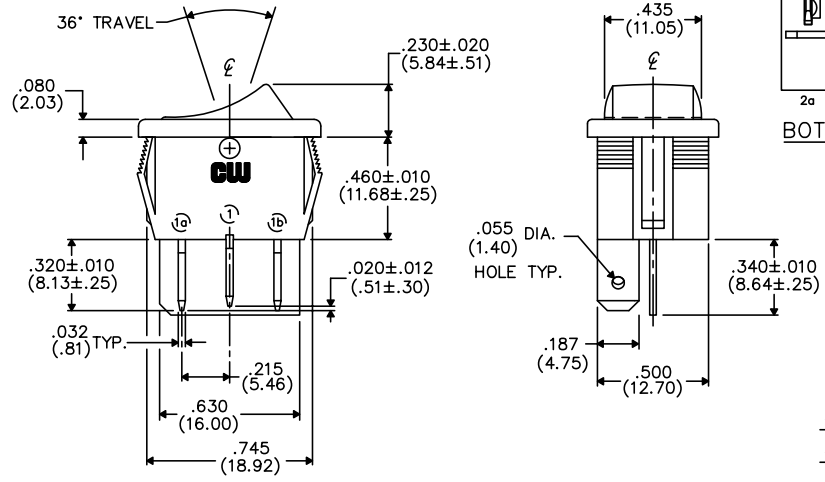
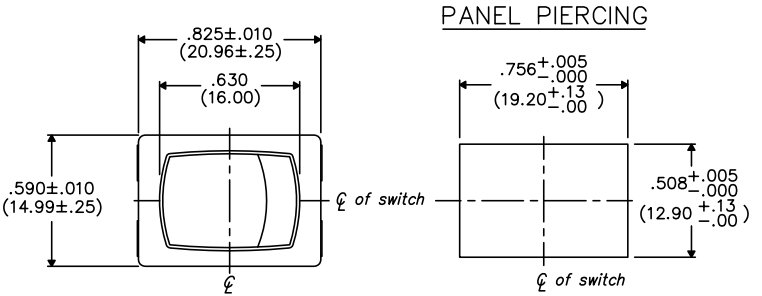
F  
D  
C  
B  
A

DIMENSIONS IN INCHES (MILLIMETERS)  
DO NOT SCALE DRAWING ..... Dwg. No.  
GRS-4012A-XXXX

OPTIONAL INSULATING BARRIER



MOUNTING PANEL THICKNESS  
Standard—.050" (1.27mm) to .150" (3.81mm).  
Optional Mounting Claws for Custom Panel thickness are available.



TERMINAL OPTIONS:  
.187" (4.75mm) x .032" (.81mm) Solderless  
.110" (2.79mm) x .032" (.81mm) Solderless  
.187" (4.75mm) x .020" (.51mm) Solderless  
.110" (2.79mm) wide with .048" (1.22mm) x .237" (6.02mm) Slot for Soldering

TAB AND POLARIZATION OPTIONS

B-FORMAT 2002

REVISIONS

1 2 3 4 5 6 7 8 9 10

**CW INDUSTRIES**  
Southampton, Pa. 18966  
TOLERANCES UNLESS OTHERWISE SPECIFIED  
2 Place Decimal ±.010 METRIC  
3 Place Decimal ±.005 1 Place Dec. ±.25mm  
Angles ..... ±1' 2 Place Dec. ±.13mm  
Made for: CW IND.  
Drawn by: DGW 10-28-2010  
Checked by:  
Approval:

Title: **ROCKER SWITCH ASSEMBLY S.P./D.T. MOM.**  
Division: **SWITCH**  
Dwg. No. **GRS-4012A-XXXX**