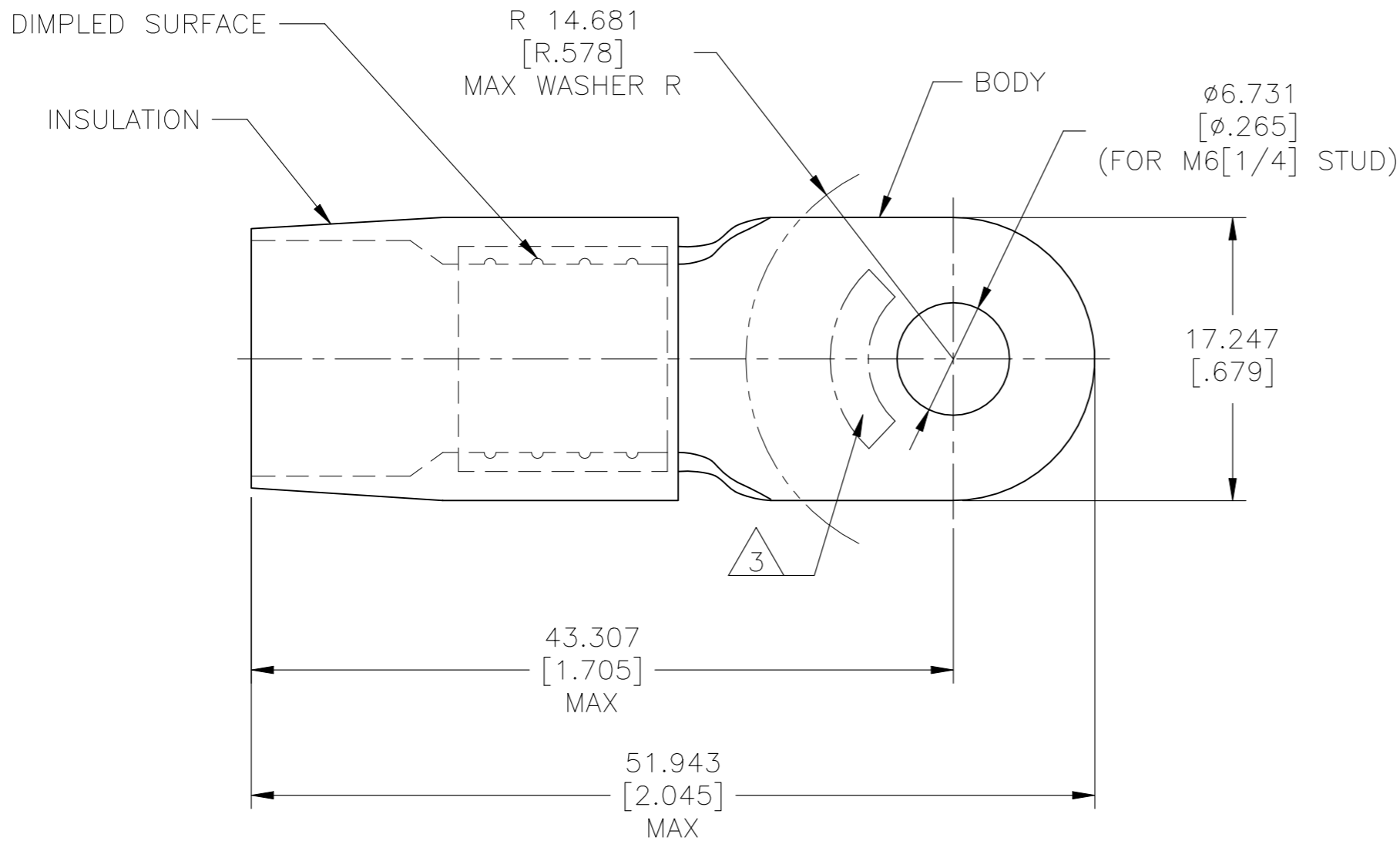


| REVISIONS | | | | |
|-----------|-----|---------------|-----------|--------|
| P | LTR | DESCRIPTION | DATE | APVD |
| | J2 | ECN-22-150900 | 27APR2022 | RK CSD |



- 1 BODY MATERIAL THK 1.448±0.051[.057±.002]
- 2 FOR ø11.887[ø.468] MAX WIRE INS.
- 3 STAMP AMP 2* APPROX AS SHOWN.

| | | |
|-----|--------------|---------|
| 50 | LOOSE PC | 324053 |
| QTY | PACKAGE TYPE | PART NO |

| | | | | | | | | | | |
|--|--|---|--|---|--|--|-----------|------------|-------------------------|---------------|
| AMP INCORPORATED CUSTOMER SERVICE SYSTEMS | | MAX RECOMMENDED OPERATING TEMPERATURE: 105°C[221°F] | THIS DRAWING IS A CONTROLLED DOCUMENT. | | DWN S.S. GOULDEN 6-21-93 | TE Connectivity NAME TERMINAL, RING TONGUE, TERMINYL WIRE SIZE: 2 AWG | | | | |
| FOR ADDITIONAL PRODUCT INFORMATION OR COPIES OF DRAWINGS AND TECHNICAL DOCUMENTS | PRODUCT INFORMATION CENTER 1-800-522-6752 | VOLTAGE RATING: - | DIMENSIONS: mm [INCHES] | TOLERANCES UNLESS OTHERWISE SPECIFIED: | CHK R. HERSEY 6-21-93 | | | | APVD B. BARE 6-21-93 | PRODUCT SPEC |
| FOR APPLICATION TOOLING INFORMATION | TOOLING ASSISTANCE CENTER 1-800-722-1111 | CIRCULAR MIL AREA: 26.7-42.4mm² [52,600-83,700] STRANDED | | 0 PLC ± - 1 PLC ± - 2 PLC ± - 3 PLC ± 0.127[.005] 4 PLC ± - ANGLES ± - | APPLICATION SPEC | SIZE | CAGE CODE | DRAWING NO | RESTRICTED TO | |
| FOR ORDER ENTRY | 1-800-526-5142 | THIS DRAWING IS A CONTROLLED DOCUMENT FOR AMP INCORPORATED. IT IS SUBJECT TO CHANGE AND THE CONTROLLING ENGINEERING ORGANIZATION SHOULD BE CONTACTED FOR THE LATEST REVISION. | | MATERIAL BODY: COPPER PER ASTM B-152 INSULATION: NYLON ASTM D4066 TYPE I | FINISH BODY: TIN PLATE PER ASTM B545 INSULATION: COLOR-RED | WEIGHT | A3 | 00779 | C-324053 | RESTRICTED TO |
| CUSTOMER DRAWING | | | | | SCALE | NTS | SHEET | 1 OF 1 | REV | J2 |