

2008/05/02 02:27:34 CAROL TRIBBLE

DRAWING FOR REFERENCE: This is subject to change without notice

TO  
0

COUNT	DESCRIPTION OF REVISIONS	BY	CHKD	DATE	COUNT	DESCRIPTION OF REVISIONS	BY	CHKD	DATE
△	1	RE-E-09961	M.S.K.I	04.5.11	△				
△					△				
<b>APPLICABLE STANDARD</b>		<b>EIAJ RC-5240</b>							
<b>RATING</b>	OPERATING TEMPERATURE RANGE	-40 °C TO +85 °C			STORAGE TEMPERATURE RANGE	-40 °C TO +85 °C			
	VOLTAGE	AC 50V			OPERATING HUMIDITY RANGE	5 % TO 85 %			
	CURRENT	0.3 A			APPLICABLE CABLE	-			
<b>SPECIFICATIONS</b>									
<b>ITEM</b>		<b>TEST METHOD</b>			<b>REQUIREMENTS</b>			<b>QT</b>	<b>AT</b>
<b>CONSTRUCTION</b>									
GENERAL EXAMINATION		VISUALLY AND BY MEASURING INSTRUMENT.			ACCORDING TO DRAWING.			<input type="radio"/>	<input type="radio"/>
MARKING		CONFIRMED VISUALLY.						<input type="radio"/>	<input type="radio"/>
<b>ELECTRIC CHARACTERISTICS</b>									
CONTACT RESISTANCE		100 mA (DC OR 1000 Hz).			50 mΩ MAX.			<input type="radio"/>	<input type="checkbox"/>
INSULATION RESISTANCE		250 V DC.			100 MΩ MIN.			<input type="radio"/>	<input type="checkbox"/>
VOLTAGE PROOF		250 V AC FOR 1 min.			NO FLASHOVER OR BREAKDOWN.			<input type="radio"/>	<input type="radio"/>
<b>MECHANICAL CHARACTERISTICS</b>									
INSERTION AND WITHDRAWAL FORCES		MEASURED BY APPLICABLE CONNECTOR.			INSERTION FORCE 24.5 N MAX. WITHDRAWAL FORCE 2.5 N MIN.			<input type="radio"/>	<input type="checkbox"/>
MECHANICAL OPERATION		10000 TIMES INSERTIONS AND EXTRACTIONS.			① CONTACT RESISTANCE : 100 mΩ MAX. ② INSERTION FORCE 24.5 N MAX. WITHDRAWAL FORCE 1.9 N MIN. ③ NO DAMAGE, CRACK AND LOOSENESS, OF PARTS.			<input type="radio"/>	<input type="checkbox"/>
VIBRATION		FREQUENCY 10 TO 55 Hz, SINGLE AMPLITUDE 0.75 mm, AT 2 h, FOR 3 DIRECTIONS, TOTAL 6 h.			① NO ELECTRICAL DISCONTINUITY OF 1 μs. ② NO DAMAGE, CRACK AND LOOSENESS, OF PARTS.			<input type="radio"/>	<input type="checkbox"/>
SHOCK		490 m/s <sup>2</sup> DIRECTIONS OF PULSE 11 ms AT 3 TIMES FOR 6 DIRECTIONS, TOTAL 18 TIMES.						<input type="radio"/>	<input type="checkbox"/>
<b>ENVIRONMENTAL CHARACTERISTICS</b>									
RAPID CHANGE OF TEMPERATURE		TEMPERATURE -40 → 25 → 85 → 25 °C TIME 30 → 2 TO 3 → 30 → 2 TO 3 min UNDER 5 CYCLES.			① CONTACT RESISTANCE : 100 mΩ MAX. ② NO DAMAGE, CRACK AND LOOSENESS, OF PARTS.			<input type="radio"/>	<input type="checkbox"/>
DAMP HEAT (STEADY STATE)		EXPOSED AT 40±2 °C, 90~95 %, 96 h (FOR 4 DAYS).			① CONTACT RESISTANCE : 100 mΩ MAX. ② INSULATION RESISTANCE : 10 MΩ MIN. ③ NO FLASHOVER OR BREAKDOWN. ④ NO DAMAGE, CRACK AND LOOSENESS, OF PARTS.			<input type="radio"/>	<input type="checkbox"/>
DRY HEAT		EXPOSED AT +85±2 °C, 96±4 h.			① CONTACT RESISTANCE : 100 mΩ MAX. ② NO DAMAGE, CRACK AND LOOSENESS, OF PARTS.			<input type="radio"/>	<input type="checkbox"/>
COLD		EXPOSED AT -40±3 °C, 96±4 h.			① CONTACT RESISTANCE : 100 mΩ MAX. ② NO DAMAGE, CRACK AND LOOSENESS, OF PARTS.			<input type="radio"/>	<input type="checkbox"/>
CORROSION SALT MIST		EXPOSED IN 5±1 % SALT WATER, 35±3 °C FOR 48 ±4 h.			① CONTACT RESISTANCE : 100 mΩ MAX. ② NO HEAVY CORROSION.			<input type="radio"/>	<input type="checkbox"/>
<b>REMARKS</b>					<b>DRAWN</b>	<b>DESIGNED</b>	<b>CHECKED</b>	<b>APPROVED</b>	<b>RELEASED</b>
					M.SHIMOYAMA	M.SHIMOYAMA	M.NAKAMURA	A.SUZUKI	
					04.2.27	04.2.27	04.3.1	04.3.2	
Unless otherwise specified, refer to JIS C 5402.									
Note QT:Qualification Test AT:Assurance Test O:Applicable Test									
<b>HRS HIROSE ELECTRIC CO., LTD.</b>					<b>SPECIFICATION SHEET</b>		<b>PART NO.</b>		
							MQ212-10PRT		
CODE NO.(OLD)			DRAWING NO.		CODE NO.			1/2	
CL			ELC4-124433		CL206-2425-5				

2008/05/02 02:27:34 CAROL TRIBBLE

DRAWING FOR REFERENCE: This is subject to change without notice

### SPECIFICATIONS

ITEM	TEST METHOD	REQUIREMENTS	QT	AT
SOLDERBILITY	SOLERRING POINT OF CONTACTS IMMERSION IN SOLDER BATH OF 235±5°C, 2±0.5 sec.	SOLDERING POINT OF CONTACTS IMMERSION IN SOLDER, 90% MIN.	○	—
RESISTANCE TO SOLDERING HEAT	MOLTEN-SDDER TEMPERATURE: 260±5°C. IMMERSION FURABILITY PER LOCATION: 2± 1 sec.	NO DAMAGE, CRACK AND LOOSENESS, OF PARTS.	○	—

REMARKS	DRAWN	DESIGNED	CHECKED	APPROVED	RELEASED
	M.SHIMOYAMA	M.SHIMOYAMA	M.NAKAMURA	A.SUZUKI	
	04.2.27	04.2.27	04.3.1	04.3.2	

Unless otherwise specified, refer to JIS C 5402.

Note QT:Qualification Test AT:Assurance Test ○:Applicable Test

<b>HRS</b> HIROSE ELECTRIC CO., LTD.	SPECIFICATION SHEET	PART NO. MQ212-10PRT
--------------------------------------	---------------------	-------------------------

CODE NO.(OLD) CL	DRAWING NO. ELC4-124433	CODE NO. CL206-2425-5	2 2
---------------------	----------------------------	--------------------------	--------

TO
Q

1 2 3 4 5 6 7 8

COUNT	DESCRIPTION OF REVISIONS	BY	CHKD	DATE	COUNT	DESCRIPTION OF REVISIONS	BY	CHKD	DATE
△				..	△				..
△				..	△				..
△				..	△				..

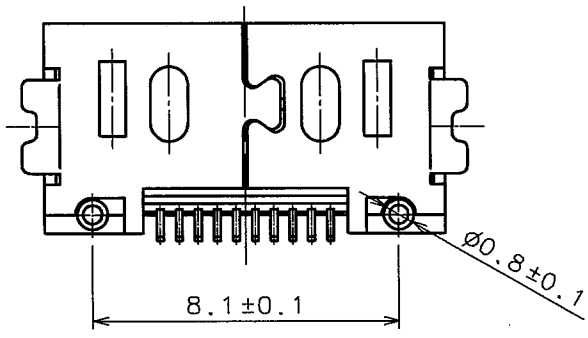
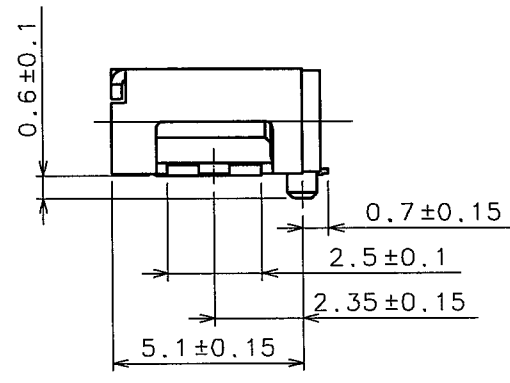
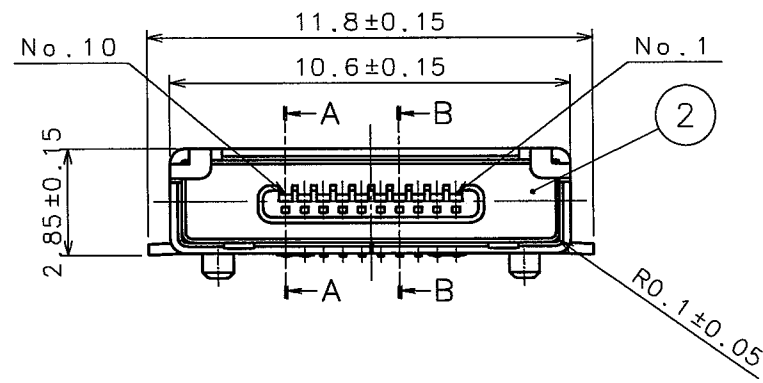
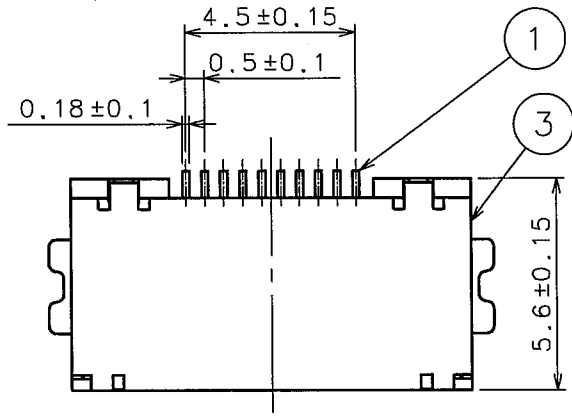
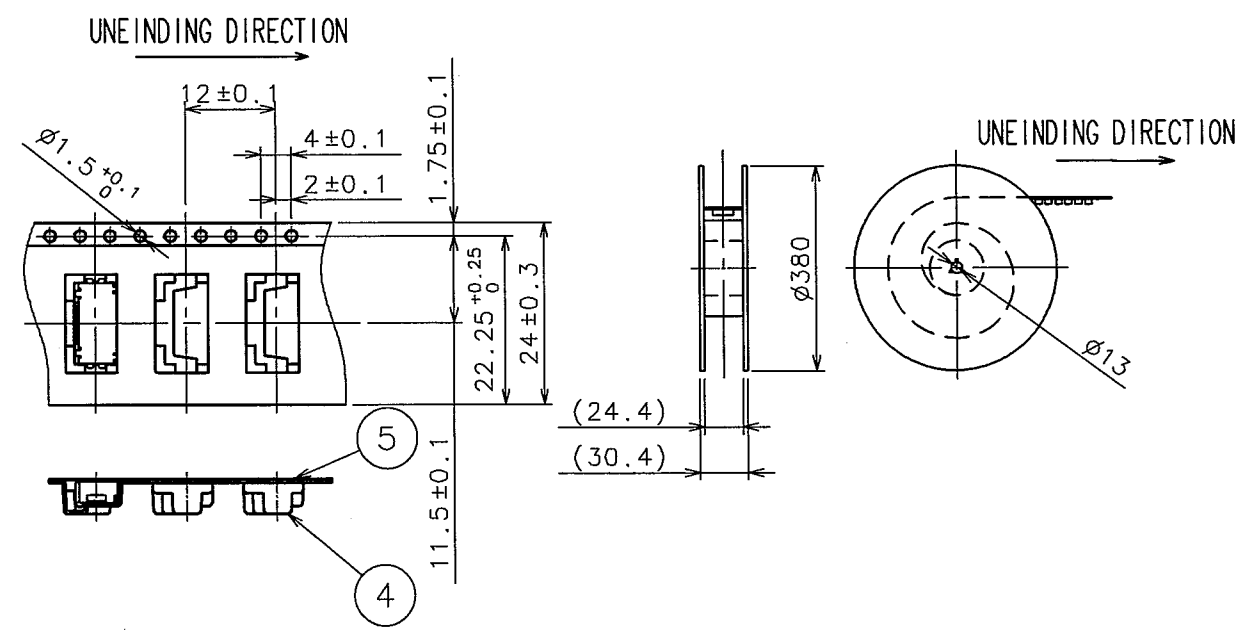
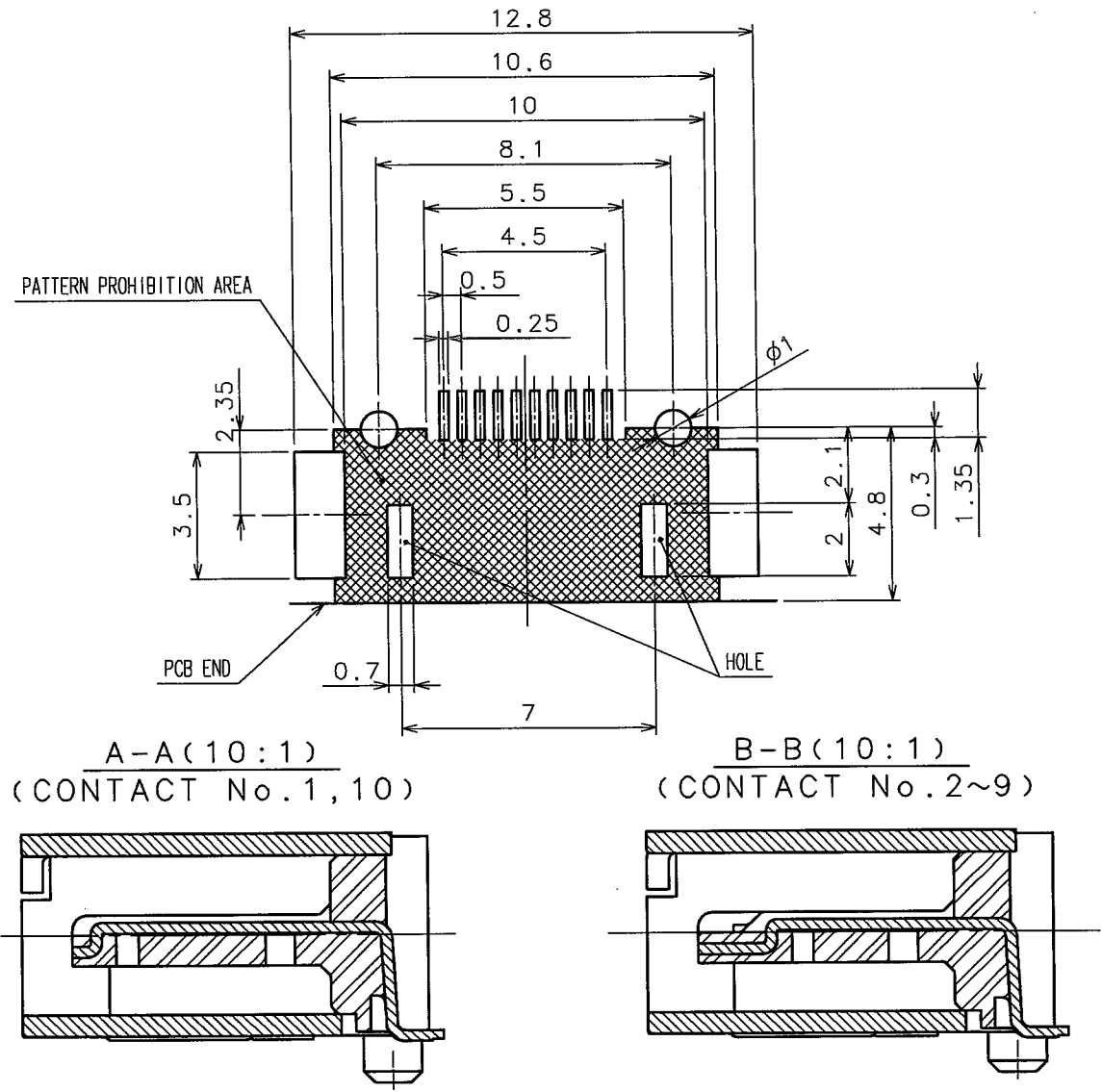


FIGURE FOR PACKGING



RECOMMENDED PC BOARD PATTERN



NOTE 1 PER REL: 1500 PIECES.  
2 CO-PLANARITY TO BE 0.1mm MAX.

2	LCP	UL94V-0 (BLACK)	5	PS	
1	PHOSPHOR BRONZE	UNDER PLATING: NICKEL 2μm MIN CONTACT AREA: GOLD 0.2μm MIN LEAD AREA: GOLD FLASH	4	PS	
NO.	MATERIAL	FINISH, REMARKS	NO.	MATERIAL	FINISH, REMARKS
			3	PHOSPHOR BRONZE	UNDER PLATING: NICKEL 1μm MIN MOUNTING AREA: TIN 1μm MIN
CODE NO. (OLD)		DRAWN	DESIGNED	CHECKED	APPROVED
		<i>M. Shinogana</i>	<i>M. Shinogana</i>	<i>M. Nakamura</i>	<i>[Signature]</i>
		04.2.27	04.2.27	04.3.1	04.3.2
DRAWING NO. EDC3-124433		PART NO. MQ212-10PRT			
SCALE 5 : 1		CODE NO. CL206-2425-5			1/1
UNITS mm		HRS HIROSE ELECTRIC CO., LTD			

TO
Q