

# USB-C® to USB-C Cable 20Gbit/sec SuperSpeed USB4 + USB3.2Gen2 + Thunderbolt Space saving right Angle Connector



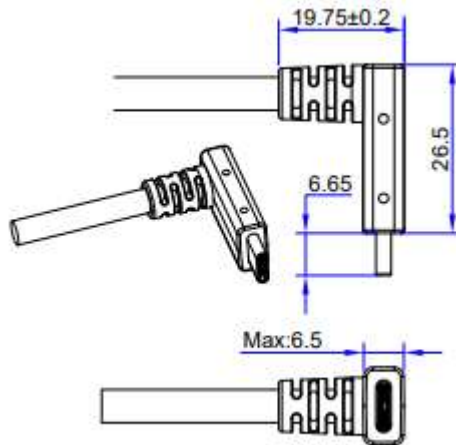
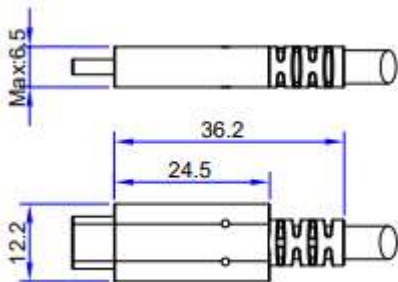
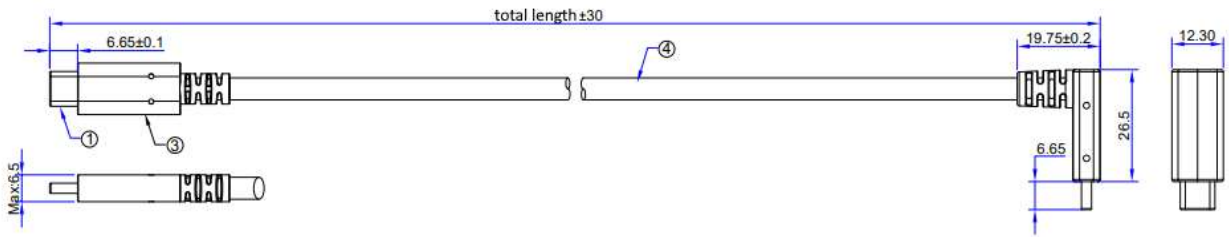
## Features

- Compliant with USB4 Gen 2
- Datarate 20Gbit/sec
- Backward compatible with USB 3.2 Gen 1 + Gen 2 and USB 2.0 Thunderbolt
- Data rate up to 10 Gbit/sec
- 5A/20V/100W charging
- Supports video display up to 8K/60Hz and 4K/100Hz Through Displayport™ Alt mode

## Applications

- Industrial PC
- Cameras + Vision Systems
- Docking stations
- Desktop, Tablets, and Mobile Phones
- Gaming consoles, Smart TVs

# Physical Drawing



# Specification

Supported USB	USB 4 USB2.0 + USB3.1 Gen1 + USB3.1 Gen2 + USB3.2 Gen1 + USB3.2 Gen2	
Supported DisplayPort™	DP Alt Mode DP1.4a HBR3 8K 60Hz & 4K 100 Hz	
Maximum Data Transfer Rate	20Gb/sec	
Output Current and Voltage	5A/20V/100W	
Conductive Resistance	Max. 3Ω	
E-Mark	Yes, IC integrated in Connector	
Supported Cable Length	1m	
O.D.	5,3 mm	
Cable Type	UL2725	
Cable Jacket	PVC	
Cable Color	Black	
Plugs	A: USB-C Male, Nickel Plated	B: USB-C Male , Nickel Plated 90°
Housings	A: PVC	B: PVC
Compliance	RoHS/ Reach/ CE/ FCC	
Certifications	UL Production	
Flameability	UL registered Material UL94-V0	
Standard Package	Bulk	
Production Standard	ISO14001 ISO9001 QC080000 IATF16949	

## How to order

TCC192-xxxxx <-> xxxxx = total Length in mm

TCC192-xxxxx	xxxxx = Total Length in mm
TCC192-01000	Total Length = 1000 mm
TCC192-00500	Total Length = 500 mm

## Please contact us for customization

### Available Options

- Custom Length
- Custom Connector
- E-Mark
- Custom Label on Cable
- Custom Label on Packing
- Other raw cable
- Colour

*DisplayPort™ and the DisplayPort™ logo are trademarks owned by the Video Electronics Standards Association (VESA®) in the United States and other countries.*

**USB Type-C® and USB-C® are registered trademarks of USB Implementers Forum.**