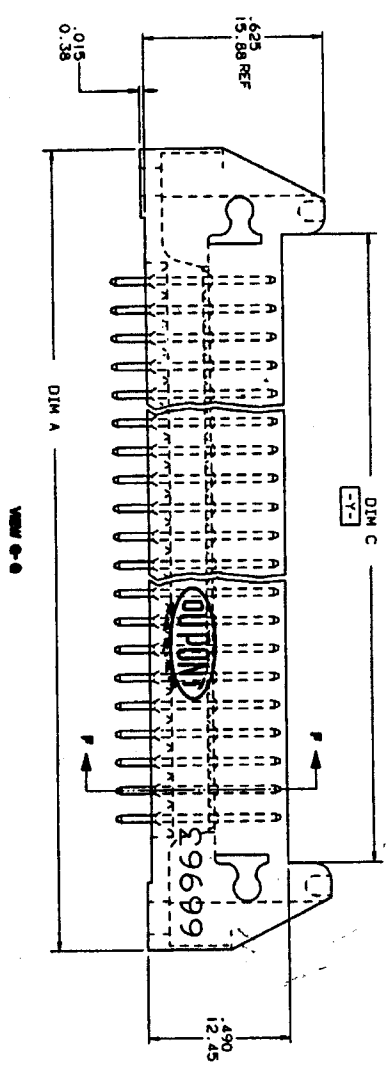
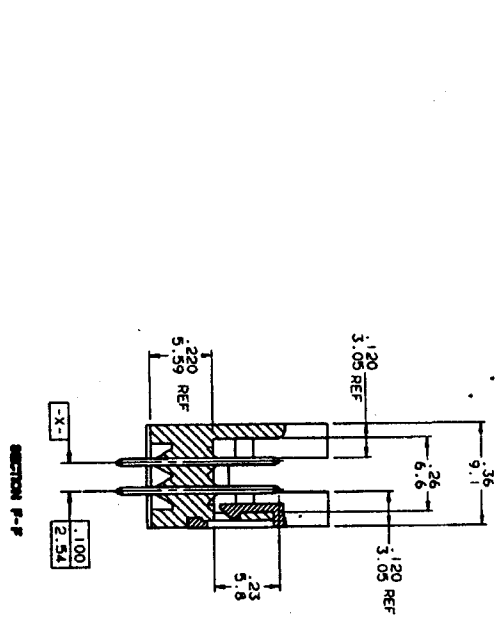




PRODUCT NO  
SEE TABLE

REV		DESCRIPTION	BY	DATE
K				



CUSTOMER COPY		DATE	
COPY		DATE	
CODE		DATE	
IDBUT		DATE	
22936		9/19/90	
DR M. CORSMAN		9/19/90	
ENGR M. SMYK		9/19/90	
M. SMYK		9/19/90	
9/19/90		9/19/90	
SCALE		DATE	
SIZE		DATE	
D		5/1	
66963		D	
SHEET		DATE	
2		DATE	

NOTE: THIS DRAWING IS THE PROPERTY OF FCI AND SHOULD BE KEPT IN STRICT CONFIDENCE. IT IS TO BE USED ONLY FOR THE PURPOSES SPECIFIED HEREIN. ANY REPRODUCTION OR DISTRIBUTION OF THIS DRAWING WITHOUT THE WRITTEN CONSENT OF FCI IS STRICTLY PROHIBITED.







PRODUCT NO	SIZE	LATCH NOTE	PIN SHAPE	DIM A	DIM B	DIM C	DIM D : .010	DIM E	TERMINAL PLATING	STYLE
66963-037	2x20	NO	RND	2.830/71.88	1.900/48.26	2.220/56.39	1.05/ 2.67	2.600/66.04	30u"/.76u Au OVER 50u"/1.27u Ni	D
-038			SD				1.05/ 2.67		150u"/.3.81u TIN	
-039			RND				1.50/ 3.81		30u"/.76u Au OVER 50u"/1.27u Ni	
-040			SD				1.50/ 3.81		150u"/.3.81u TIN	
-041			SD				6.75/17.15		30u"/.76u Au OVER 50u"/1.27u Ni	
-042	2x20		SD	2.830/71.88	1.900/48.26	2.220/56.39	6.75/17.15	2.600/66.04	150u"/.3.81u TIN	
-043	2x25		RND	3.330/84.58	2.400/60.96	2.720/69.09	1.05/ 2.67	3.100/78.74	30u"/.76u Au OVER 50u"/1.27u Ni	
-044			SD				1.05/ 2.67		150u"/.3.81u TIN	
-045			RND				1.50/ 3.81		30u"/.76u Au OVER 50u"/1.27u Ni	
-046			SD				1.50/ 3.81		150u"/.3.81u TIN	
-047			SD				6.75/17.15		30u"/.76u Au OVER 50u"/1.27u Ni	
-048	2x25	NO	SD	3.330/84.58	2.400/60.96	2.720/69.09	6.75/17.15	3.100/78.74	150u"/.3.81u TIN	D
-049	2x5	STD	RND	1.330/33.78	4.00/10.16	7.20/18.29	1.05/ 2.67	1.100/27.94	30u"/.76u Au OVER 50u"/1.27u Ni	A
-050			SD				1.05/ 2.67		150u"/.3.81u TIN	
-051			RND				1.50/ 3.81		30u"/.76u Au OVER 50u"/1.27u Ni	
-052			SD				1.50/ 3.81		150u"/.3.81u TIN	
-053			SD				6.75/17.15		30u"/.76u Au OVER 50u"/1.27u Ni	
-054	2x5		SD	1.330/33.78	4.00/10.16	7.20/18.29	6.75/17.15	1.100/27.94	150u"/.3.81u TIN	A
-055	2x7		RND	1.530/38.86	6.00/15.24	9.20/23.37	1.05/ 2.67	1.300/33.02	30u"/.76u Au OVER 50u"/1.27u Ni	C
-056			SD				1.05/ 2.67		150u"/.3.81u TIN	
-057			RND				1.50/ 3.81		30u"/.76u Au OVER 50u"/1.27u Ni	
-058			SD				1.50/ 3.81		150u"/.3.81u TIN	
-059			SD				6.75/17.15		30u"/.76u Au OVER 50u"/1.27u Ni	
-060	2x7		SD	1.530/38.86	6.00/15.24	9.20/23.37	6.75/17.15	1.300/33.02	150u"/.3.81u TIN	C
-061	2x8		RND	1.630/41.40	7.00/17.78	1.020/25.91	1.05/ 2.67	1.400/35.56	30u"/.76u Au OVER 50u"/1.27u Ni	D
-062			SD				1.05/ 2.67		150u"/.3.81u TIN	
-063			RND				1.50/ 3.81		30u"/.76u Au OVER 50u"/1.27u Ni	
-064			SD				1.50/ 3.81		150u"/.3.81u TIN	
-065			SD				6.75/17.15		30u"/.76u Au OVER 50u"/1.27u Ni	
-066	2x8		SD	1.630/41.40	7.00/17.78	1.020/25.91	6.75/17.15	1.400/35.56	150u"/.3.81u TIN	
-067	2x10		RND	1.830/46.48	9.00/22.86	1.220/30.99	1.05/ 2.67	1.600/40.64	30u"/.76u Au OVER 50u"/1.27u Ni	
-068			SD				1.05/ 2.67		150u"/.3.81u TIN	
-069			RND				1.50/ 3.81		30u"/.76u Au OVER 50u"/1.27u Ni	
-070			SD				1.50/ 3.81		150u"/.3.81u TIN	
-071			SD				6.75/17.15		30u"/.76u Au OVER 50u"/1.27u Ni	
66963-072	2x10	STD	SD	1.830/46.48	9.00/22.86	1.220/30.99	6.75/17.15	1.600/40.64	150u"/.3.81u TIN	D

SHEET INDEX	ISSUE	DO NOT SCALE DRAWING	DATE
1	1		9/19/00

TERMINAL PLATING	FINISH	DRY N. SINK
30u"/.76u Au OVER 50u"/1.27u Ni	SEA-HORSE VERTICAL	9/19/00

**FCI** www.fciconnect.com

CUSTOMER: DPT 22934

DATE: 9/19/00

REVISIONS: REV K DESCRIPTION BY DATE

PRODUCT NO	SIZE	LATCH NOTE	PIN SHAPE	DIM A	DIM B	DIM C	DIM D ±.010	DIM E	TERMINAL PLATING	STYLE
66963-073	2x13	STD	RND	2.130/94.10	1.200/30.48	1.520/39.61	1.05/ 2.67	1.900/48.26	30u"/.76u Au OVER 50u"/.27u NI	0
-074			SO				1.05/ 2.67		150u"/.3.81u TIN	
-075			RND				1.50/ 3.81		30u"/.76u Au OVER 50u"/.27u NI	
-076			SO				1.50/ 3.81		150u"/.3.81u TIN	
-077			SO				1.05/ 2.67		30u"/.76u Au OVER 50u"/.27u NI	
-078	2x13		SO	2.130/94.10	1.200/30.48	1.520/39.61	1.05/ 2.67	1.900/48.26	150u"/.3.81u TIN	
-079	2x17		RND	2.530/64.26	1.600/40.64	1.920/48.77	1.05/ 2.67	2.300/58.42	30u"/.76u Au OVER 50u"/.27u NI	
-080			SO				1.05/ 2.67		150u"/.3.81u TIN	
-081			RND				1.50/ 3.81		30u"/.76u Au OVER 50u"/.27u NI	
-082			SO				1.50/ 3.81		150u"/.3.81u TIN	
-083			SO				1.05/ 2.67		30u"/.76u Au OVER 50u"/.27u NI	
-084	2x17		SO	2.530/64.26	1.600/40.64	1.920/48.77	1.05/ 2.67	2.300/58.42	150u"/.3.81u TIN	
-085	2x20		RND	2.830/71.88	1.900/48.26	2.220/56.39	1.05/ 2.67	2.600/66.04	30u"/.76u Au OVER 50u"/.27u NI	
-086			SO				1.05/ 2.67		150u"/.3.81u TIN	
-087			RND				1.50/ 3.81		30u"/.76u Au OVER 50u"/.27u NI	
-088			SO				1.50/ 3.81		150u"/.3.81u TIN	
-089			SO				1.05/ 2.67		30u"/.76u Au OVER 50u"/.27u NI	
-090	2x20		SO	2.830/71.88	1.900/48.26	2.220/56.39	1.05/ 2.67	2.600/66.04	150u"/.3.81u TIN	
-091	2x25		RND	3.330/84.58	2.400/60.96	2.720/69.09	1.05/ 2.67	3.100/78.74	30u"/.76u Au OVER 50u"/.27u NI	
-092			SO				1.05/ 2.67		150u"/.3.81u TIN	
-093			RND				1.50/ 3.81		30u"/.76u Au OVER 50u"/.27u NI	
-094			SO				1.50/ 3.81		150u"/.3.81u TIN	
-095			SO				1.05/ 2.67		30u"/.76u Au OVER 50u"/.27u NI	
-096	2x25		SO	3.330/84.58	2.400/60.96	2.720/69.09	1.05/ 2.67	3.100/78.74	150u"/.3.81u TIN	
-097	2x30		RND	3.830/97.28	2.900/73.66	3.220/81.79	1.05/ 2.67	3.600/91.44	30u"/.76u Au OVER 50u"/.27u NI	
-098			SO				1.05/ 2.67		150u"/.3.81u TIN	
-099			RND				1.50/ 3.81		30u"/.76u Au OVER 50u"/.27u NI	
-100			SO				1.50/ 3.81		150u"/.3.81u TIN	
-101			SO				1.05/ 2.67		30u"/.76u Au OVER 50u"/.27u NI	
-102			SO				1.05/ 2.67		150u"/.3.81u TIN	
-103			RND				1.50/ 3.81		30u"/.76u Au OVER 50u"/.27u NI	
-104			SO				1.05/ 2.67		150u"/.3.81u TIN	
-105			RND				1.50/ 3.81		30u"/.76u Au OVER 50u"/.27u NI	
-106			SO				1.50/ 3.81		150u"/.3.81u TIN	
-107			SO				1.05/ 2.67		30u"/.76u Au OVER 50u"/.27u NI	
66963-108	2x30	STD	SO	3.830/97.28	2.900/73.66	3.220/81.79	1.05/ 2.67	3.600/91.44	150u"/.3.81u TIN	0

REVISIONS	REV	DESCRIPTION	BY	DATE
	K			

CUSTOMER	DATE	DATE	DATE
22536	9/19/90	9/19/90	9/19/90

SCALE	SIZE	NO	DATE
5/1	D	66963	9/19/90

DATE	BY	DATE	DATE
9/19/90	M. DOMAN	9/19/90	9/19/90

DATE	BY	DATE	DATE
9/19/90	M. SHYK	9/19/90	9/19/90

DATE	BY	DATE	DATE
9/19/90	M. SHYK	9/19/90	9/19/90

DATE	BY	DATE	DATE
9/19/90	M. SHYK	9/19/90	9/19/90


FCI  
www.fci.com

HEADER, OUTLINE  
SEA-HORSE, VERTICAL

SCALE 5/1 D 66963 SHEET 6



PRODUCT NO 66963-109	SIZE 2x5	LATCH NOTE 9	P/N SHAPE SO	DIM A	DIM B	DIM C	DIM D ±.25	DIM E	TERMINAL PLATING 30µ"/.76µ Au OVER 50µ"/1.27µ Ni	STYLE A	REVISIONS	
											REV	DESCRIPTION
-110	2x7			1.330/33.78	.400/10.16	.720/18.29	.105/ 2.67	1.100/27.94		C	K	
-111	2x8			1.530/38.86	.600/15.24	.920/23.37		1.300/33.02		D		
-112	2x10			1.630/41.40	.700/17.78	1.020/25.91		1.400/35.56				
-113	2x13			1.830/46.48	.900/22.86	1.220/30.99		1.600/40.64				
-114	2x17			2.130/54.10	1.200/30.48	1.520/38.61		1.900/48.26				
-115	2x20			2.530/64.26	1.600/40.64	1.920/48.77		2.300/58.42				
-116	2x25			2.830/71.88	1.900/48.26	2.220/56.39		2.600/66.04				
-117	2x30			3.330/84.58	2.400/60.96	2.720/69.09		3.100/78.74				
-118	2x35			3.830/97.28	2.900/73.66	3.220/81.79		3.600/91.44				
-119	2x40			4.330/110.00	3.400/86.12	3.720/94.78		4.100/104.14				
-120	2x45			4.830/122.72	3.900/99.06	4.220/107.64		4.600/116.48				
-121	2x50			5.330/135.44	4.400/111.92	4.720/120.50		5.100/129.86				
-122	2x55			5.830/148.16	4.900/124.68	5.220/133.36		5.600/142.20				
-123	2x60			6.330/160.88	5.400/137.44	5.720/146.32		6.100/155.64				
-124	2x65			6.830/173.60	5.900/150.20	6.220/159.36		6.600/168.60				
-125	2x70			7.330/186.32	6.400/162.96	6.720/172.32		7.100/181.76				
-126	2x75			7.830/199.04	6.900/175.72	7.220/185.28		7.600/194.72				
-127	2x80			8.330/211.76	7.400/188.48	7.720/198.32		8.100/207.76				
-128	2x85			8.830/224.48	7.900/201.24	8.220/211.28		8.600/220.72				
-129	2x90			9.330/237.20	8.400/214.00	8.720/224.32		9.100/233.76				
-130	2x95			9.830/249.92	8.900/226.76	9.220/237.28		9.600/246.72				
-131	2x100			10.330/262.64	9.400/239.52	9.720/250.32		10.100/259.76				
-132	2x105			10.830/275.36	9.900/252.28	10.220/263.36		10.600/272.72				
-133	2x110			11.330/288.08	10.400/265.04	10.720/276.32		11.100/285.76				
-134	2x115			11.830/300.80	10.900/277.80	11.220/289.36		11.600/299.20				
-135	2x120			12.330/313.52	11.400/290.56	11.720/302.40		12.100/311.64				
-136	2x125			12.830/326.24	11.900/303.32	12.220/315.44		12.600/324.08				
-137	2x130			13.330/338.96	12.400/316.08	12.720/328.48		13.100/333.52				
-138	2x135			13.830/351.68	12.900/328.84	13.220/341.52		13.600/346.96				
-139	2x140			14.330/364.40	13.400/341.60	13.720/354.56		14.100/360.40				
-140	2x145			14.830/377.12	13.900/354.36	14.220/367.60		14.600/375.84				
-141	2x150			15.330/389.84	14.400/367.12	14.720/380.64		15.100/389.28				
-142	2x155			15.830/402.56	14.900/379.88	15.220/393.68		15.600/403.12				
-143	2x160			16.330/415.28	15.400/392.64	15.720/406.72		16.100/417.60				
66963-144	2x20			2.830/71.88	1.900/48.26	2.220/56.39	.150/ 3.81	2.600/66.04	30µ"/.76µ GXT/GOLD FLASH	D		


**www.fciconnect.com**  
 CUSTOMER COPY  
 CODE IDENT 22526  
 DATE 9/19/90  
 DR. M. CORREMAN  
 FOR M. SHYK  
 9/19/90  
 TITLE SEA-HORSE VERTICAL  
 SCALE SIZE 5/1 D 66963  
 SHEET 7

DO NOT SCALE DIMENSIONS NOTED	INCH/MM	MATL
TOLERANCE UNLESS OTHERWISE NOTED	.001/.01/.3	FINISH
LINEAR	.0001/.0007/.0001/.001	ANGLES 0°/2°
ANGLES 0°/2°		


ISSUE	NO	DATE
1		
2		
3		
4		
5		
6		
7		
8		
9		
10		
11		
12		
13		
14		
15		
16		
17		
18		
19		
20		
21		
22		
23		
24		
25		
26		
27		
28		
29		
30		
31		
32		
33		
34		
35		
36		
37		
38		
39		
40		
41		
42		
43		
44		
45		
46		
47		
48		
49		
50		





PRODUCT NO	SIZE	LATCH NOTE	PIN SHAPE	DIM A	DIM B	DIM C	DIM D ± .010	DIM E	TERMINAL PLATING	STYLE
66963-181	2x8	LP	SO	1.630/41.40	.700/17.78	1.020/25.91	.675/17.15	1.400/35.56	30u"/.76u Au OVER 50u"/.27u Ni	D
-182	2x8	↓	SO	1.630/41.40	.700/17.78	1.020/25.91	.675/17.15	1.400/35.56	150u"/.3.81u TIN	
-183	2x10		RND	1.830/46.48	.900/22.86	1.220/30.99	.105/ 2.67	1.600/40.64	30u"/.76u Au OVER 50u"/.27u Ni	
-184			SO				.105/ 2.67		150u"/.3.81u TIN	
-185			RND				.150/ 3.81		30u"/.76u Au OVER 50u"/.27u Ni	
-186			SO				.150/ 3.81		150u"/.3.81u TIN	
-187			SO				.675/17.15		30u"/.76u Au OVER 50u"/.27u Ni	
-188	2x10		SO	1.830/46.48	.900/22.86	1.220/30.99	.675/17.15	1.600/40.64	150u"/.3.81u TIN	
-189	2x13		RND	2.130/54.10	1.200/30.48	1.520/38.61	.105/ 2.67	1.900/48.26	30u"/.76u Au OVER 50u"/.27u Ni	
-190			SO				.105/ 2.67		150u"/.3.81u TIN	
-191			RND				.150/ 3.81		30u"/.76u Au OVER 50u"/.27u Ni	
-192			SO				.150/ 3.81		150u"/.3.81u TIN	
-193			SO				.675/17.15		30u"/.76u Au OVER 50u"/.27u Ni	
-194	2x13		SO	2.130/54.10	1.200/30.48	1.520/38.61	.675/17.15	1.900/48.26	150u"/.3.81u TIN	
-195	2x17		RND	2.530/64.26	1.600/40.64	1.920/48.77	.105/ 2.67	2.300/58.42	30u"/.76u Au OVER 50u"/.27u Ni	
-196			SO				.105/ 2.67		150u"/.3.81u TIN	
-197			RND				.150/ 3.81		30u"/.76u Au OVER 50u"/.27u Ni	
-198			SO				.150/ 3.81		150u"/.3.81u TIN	
-199			SO				.675/17.15		30u"/.76u Au OVER 50u"/.27u Ni	
-200	2x17		SO	2.530/64.26	1.600/40.64	1.920/48.77	.675/17.15	2.300/58.42	150u"/.3.81u TIN	
-201	2x20		RND	2.830/71.88	1.900/48.26	2.220/56.39	.105/ 2.67	2.600/66.04	30u"/.76u Au OVER 50u"/.27u Ni	
-202			SO				.105/ 2.67		150u"/.3.81u TIN	
-203			RND				.150/ 3.81		30u"/.76u Au OVER 50u"/.27u Ni	
-204			SO				.150/ 3.81		150u"/.3.81u TIN	
-205			SO				.675/17.15		30u"/.76u Au OVER 50u"/.27u Ni	
-206	2x20		SO	2.830/71.88	1.900/48.26	2.220/56.39	.675/17.15	2.600/66.04	150u"/.3.81u TIN	
-207	2x25		RND	3.330/84.38	2.400/60.96	2.720/69.09	.105/ 2.67	3.100/78.74	30u"/.76u Au OVER 50u"/.27u Ni	
-208			SO				.105/ 2.67		150u"/.3.81u TIN	
-209			RND				.150/ 3.81		30u"/.76u Au OVER 50u"/.27u Ni	
-210			SO				.150/ 3.81		150u"/.3.81u TIN	
-211			SO				.675/17.15		30u"/.76u Au OVER 50u"/.27u Ni	
-212	2x25		SO	3.330/84.38	2.400/60.96	2.720/69.09	.675/17.15	3.100/78.74	150u"/.3.81u TIN	
-213	2x30		RND	3.830/97.28	2.900/73.66	3.220/81.79	.105/ 2.67	3.600/91.44	30u"/.76u Au OVER 50u"/.27u Ni	
-214	2x30		SO	3.830/97.28	2.900/73.66	3.220/81.79	.105/ 2.67	3.600/91.44	150u"/.3.81u TIN	
-215	2x30		RND	3.830/97.28	2.900/73.66	3.220/81.79	.150/ 3.81	3.600/91.44	30u"/.76u Au OVER 50u"/.27u Ni	
66963-216	2x30	LP	SO	3.830/97.28	2.900/73.66	3.220/81.79	.150/ 3.81	3.600/91.44	150u"/.3.81u TIN	D

ISSUE	1
INDEX	1
MODEL	
DO NOT SCALE DIMENSIONS	<input checked="" type="checkbox"/>
DATE	9/19/90
SCALE	1:1
TOLERANCE	±.005
FINISH	AS MANUFACTURED
APPROVED	M. SMWK

REV	DESCRIPTION	BY	DATE
K			
			
HEADQUARTERS: VERTICAL SCALE: 1:1 SHEET: 9 OF 9			

PRODUCT NO	SIZE	LATCH NOTE	PIN SHAPE	DIM A	DIM B	DIM C	DIM D	DIM E	TERMINAL PLATING	STYLE
66963-217	2x30	LP	SD	3.830/97.28	2.900/73.66	3.220/81.79	.675/17.15	3.600/91.44	30u"/.76u Au OVER 50u"/.27u Ni	D
-218	2x30			3.830/97.28	2.900/73.66	3.220/81.79	.675/17.15	3.600/91.44	150u"/.31u TIN	D
-219	2x5			1.330/33.78	.400/10.16	.720/18.29	.105/2.67	1.100/27.94	30u"/.76u Au OVER 50u"/.27u Ni	A
-220	2x7			1.530/38.86	.600/15.24	.920/23.37		1.300/33.02		C
-221	2x8			1.630/41.40	.700/17.78	1.020/25.91		1.400/35.56		D
-222	2x10			1.830/46.48	.900/22.86	1.220/30.99		1.600/40.64		D
-223	2x13			2.130/54.10	1.200/30.48	1.520/38.61		1.900/48.26		D
-224	2x17			2.530/64.26	1.600/40.64	1.920/48.77		2.300/58.42		D
-225	2x20			2.830/71.88	1.900/48.26	2.220/56.39		2.600/66.04		D
-226	2x25			3.330/84.58	2.400/60.96	2.720/69.09		3.100/78.74		D
-227	2x30			3.830/97.28	2.900/73.66	3.220/81.79	.105/2.67	3.600/91.44		D
-228	2x20		SD	2.830/71.88	1.900/48.26	2.220/56.39	.150/3.81	2.600/66.04	30u"/.76u Au OVER 50u"/.27u Ni	A
-229	2x5		RND	1.330/33.78	.400/10.16	.720/18.29		1.100/27.94	30u"/.76u GXT/GOLD FLASH	C
-230	2x7			1.530/38.86	.600/15.24	.920/23.37		1.300/33.02		C
-231	2x8			1.630/41.40	.700/17.78	1.020/25.91		1.400/35.56		D
-232	2x10			1.830/46.48	.900/22.86	1.220/30.99		1.600/40.64		D
-233	2x13			2.130/54.10	1.200/30.48	1.520/38.61		1.900/48.26		D
-234	2x17			2.530/64.26	1.600/40.64	1.920/48.77		2.300/58.42		D
-235	2x20			2.830/71.88	1.900/48.26	2.220/56.39		2.600/66.04		D
-236	2x25			3.330/84.58	2.400/60.96	2.720/69.09		3.100/78.74		D
-237	2x30		RND	3.830/97.28	2.900/73.66	3.220/81.79	.150/3.81	3.600/91.44	30u"/.76u GXT/GOLD FLASH	D
-238	2x5		SD	1.330/33.78	.400/10.16	.720/18.29	.675/17.15	1.100/27.94	15u"/.38u MIN Au OVER 50u"/.27u Ni	A
-239	2x7			1.530/38.86	.600/15.24	.920/23.37		1.300/33.02		C
-240	2x8			1.630/41.40	.700/17.78	1.020/25.91		1.400/35.56		D
-241	2x10			1.830/46.48	.900/22.86	1.220/30.99		1.600/40.64		D
-242	2x13			2.130/54.10	1.200/30.48	1.520/38.61		1.900/48.26		D
-243	2x17			2.530/64.26	1.600/40.64	1.920/48.77		2.300/58.42		D
-244	2x20			2.830/71.88	1.900/48.26	2.220/56.39		2.600/66.04		D
-245	2x25			3.330/84.58	2.400/60.96	2.720/69.09		3.100/78.74		D
-246	2x30		SD	3.830/97.28	2.900/73.66	3.220/81.79	.675/17.15	3.600/91.44	15u"/.38u MIN Au OVER 50u"/.27u Ni	D
-247	2x5		RND	1.330/33.78	.400/10.16	.720/18.29	.105/2.67	1.100/27.94	30u"/.76u GXT/GOLD FLASH	A
-248	2x7			1.530/38.86	.600/15.24	.920/23.37		1.300/33.02		C
-249	2x8			1.630/41.40	.700/17.78	1.020/25.91		1.400/35.56		D
-250	2x10			1.830/46.48	.900/22.86	1.220/30.99		1.600/40.64		D
-251	2x13			2.130/54.10	1.200/30.48	1.520/38.61		1.900/48.26		D
66963-252	2x17		RND	2.530/64.26	1.600/40.64	1.920/48.77	.105/2.67	2.300/58.42	30u"/.76u GXT/GOLD FLASH	D

SHEET NO		ISSUE		DATE	
22346		1		9/18/90	
MODEL		DO NOT SCALE DRAWING		DATE	
1		ECS		9/18/90	
TOLERANCE		FINISH		DATE	
AS SHOWN		APPROX. M. SWIK		9/18/90	
SHEETS REQUIRED		NO.		DATE	
1		1		9/18/90	
SCALE		UNIT		DATE	
1"=1"		INCH		9/18/90	
TERMINAL PLATING		FINISH		DATE	
30u"/.76u Au OVER 50u"/.27u Ni		ECS		9/18/90	
150u"/.31u TIN		APPROX. M. SWIK		9/18/90	
30u"/.76u Au OVER 50u"/.27u Ni		DATE		9/18/90	
30u"/.76u GXT/GOLD FLASH		DATE		9/18/90	
30u"/.76u GXT/GOLD FLASH		DATE		9/18/90	



www.fciconnect.com  
 HEADERS, QUICKIE  
 SEA-HORSE, VERTICAL  
 66963  
 SHEET 10

REV	DESCRIPTION	BY	DATE
K			

PRODUCT NO	SIZE	LATCH NOTE	PIN SHAPE	DIM A	DIM B	DIM C	DIM D .010	DIM E	TERMINAL PLATING	STYLE	REVISIONS	
											REV	DESCRIPTION
66963-253	2x20	NO	RND	2.830/71.88	1.900/48.26	2.220/56.39	.105/ 2.67	2.600/66.04	30u"/.76u CRT/GOLD FLASH	D	K	
-254	2x25		RND	3.330/84.98	2.400/60.96	2.720/69.09	.105/ 2.67	3.100/78.74		D		
-255	2x30		RND	3.830/97.28	2.900/73.66	3.220/81.79	.105/ 2.67	3.600/91.44		D		
-256	2x5		S0	1.330/33.78	1.400/10.16	1.720/18.29	.675/17.15	1.100/27.94		A		
-257	2x7			1.530/38.86	1.600/15.24	1.920/23.37		1.300/33.02		C		
-258	2x8			1.630/41.40	1.700/17.78	2.020/25.91		1.400/35.56		D		
-259	2x10			1.830/46.48	1.900/22.86	2.220/30.99		1.600/40.64		D		
-260	2x13			2.130/54.10	2.200/30.48	2.520/38.61		1.900/48.26		D		
-261	2x17			2.530/64.26	2.600/40.64	2.920/48.77		2.300/58.42		D		
-262	2x20			2.830/71.88	2.900/48.26	3.220/56.39		2.600/66.04		D		
-263	2x25			3.330/84.98	2.400/60.96	2.720/69.09		3.100/78.74		D		
-264	2x30		S0	3.830/97.28	2.900/73.66	3.220/81.79	.675/17.15	3.600/91.44		D		
-265	2x5		RND	1.330/33.78	1.400/10.16	1.720/18.29	.105/ 2.67	1.100/27.94		A		
-266	2x7			1.530/38.86	1.600/15.24	1.920/23.37		1.300/33.02		C		
-267	2x8			1.630/41.40	1.700/17.78	2.020/25.91		1.400/35.56		D		
-268	2x10			1.830/46.48	1.900/22.86	2.220/30.99		1.600/40.64		D		
-269	2x13			2.130/54.10	2.200/30.48	2.520/38.61		1.900/48.26		D		
-270	2x17			2.530/64.26	2.600/40.64	2.920/48.77		2.300/58.42		D		
-271	2x20			2.830/71.88	2.900/48.26	3.220/56.39		2.600/66.04		D		
-272	2x25			3.330/84.98	2.400/60.96	2.720/69.09		3.100/78.74		D		
-273	2x30		RND	3.830/97.28	2.900/73.66	3.220/81.79	.105/ 2.67	3.600/91.44		A		
-274	2x5		S0	1.330/33.78	1.400/10.16	1.720/18.29	.675/17.15	1.100/27.94		C		
-275	2x7			1.530/38.86	1.600/15.24	1.920/23.37		1.300/33.02		D		
-276	2x8			1.630/41.40	1.700/17.78	2.020/25.91		1.400/35.56		D		
-277	2x10			1.830/46.48	1.900/22.86	2.220/30.99		1.600/40.64		D		
-278	2x13			2.130/54.10	2.200/30.48	2.520/38.61		1.900/48.26		D		
-279	2x17			2.530/64.26	2.600/40.64	2.920/48.77		2.300/58.42		D		
-280	2x20			2.830/71.88	2.900/48.26	3.220/56.39		2.600/66.04		D		
-281	2x25			3.330/84.98	2.400/60.96	2.720/69.09		3.100/78.74		D		
-282	2x30		S0	3.830/97.28	2.900/73.66	3.220/81.79	.675/17.15	3.600/91.44		D		
-283	2x5		RND	1.330/33.78	1.400/10.16	1.720/18.29	.105/ 2.67	1.100/27.94		A		
-284	2x7			1.530/38.86	1.600/15.24	1.920/23.37		1.300/33.02		C		
-285	2x8			1.630/41.40	1.700/17.78	2.020/25.91		1.400/35.56		D		
-286	2x10			1.830/46.48	1.900/22.86	2.220/30.99		1.600/40.64		D		
-287	2x13			2.130/54.10	2.200/30.48	2.520/38.61		1.900/48.26		D		
66963-288	2x17	LP	RND	2.530/64.26	1.600/40.64	1.920/48.77	.105/ 2.67	2.300/58.42	30u"/.76u CRT/GOLD FLASH	D		

SHEET NO		ISSUE		DO NOT SCALE DRAWING		TOLERANCE UNITS		MATERIAL		FINISH		DATE	
1	1	1	1	1	1	1	1	1	1	1	1	1	1
SHEET NO		ISSUE		DO NOT SCALE DRAWING		TOLERANCE UNITS		MATERIAL		FINISH		DATE	
1	1	1	1	1	1	1	1	1	1	1	1	1	1
SHEET NO		ISSUE		DO NOT SCALE DRAWING		TOLERANCE UNITS		MATERIAL		FINISH		DATE	
1	1	1	1	1	1	1	1	1	1	1	1	1	1

**FCI** www.fciconnect.com

CUSTOMER: SEA-HORSE VERTICAL

DATE: 9/19/90

SCALE: 5/1 D

SHEET: 11

PRODUCT NO	SIZE	LATCH NOTE	PIN SHAPE	DIM A	DIM B	DIM C	DIM D: .010	DIM E	TERMINAL PLATING	STYLE	REVISIONS	
											REV	DESCRIPTION
66963-289	2x20	LP	RND	2.830/71.88	1.900/48.26	2.220/56.39	.105/ 2.67	2.600/66.04	30μ"/.76μ GRT/GOLD FLASH	D	K	
-290	2x25		RND	3.330/84.58	2.400/60.96	2.720/69.09	.105/ 2.67	3.100/78.74		D		
-291	2x30		RND	3.830/97.28	2.900/73.66	3.220/81.79	.105/ 2.67	3.600/91.44		D		
-292	2x5		S0	1.330/33.78	.400/10.16	.720/18.29	.675/17.15	1.100/27.94		A		
-293	2x7			1.530/38.86	.600/15.24	.920/23.37		1.300/33.02		C		
-294	2x8			1.630/41.40	.700/17.78	1.020/25.91		1.400/35.56		D		
-295	2x10			1.830/46.48	.900/22.86	1.220/30.99		1.600/40.64		D		
-296	2x13			2.130/54.10	1.200/30.48	1.520/38.61		1.900/48.26		D		
-297	2x17			2.530/64.26	1.600/40.64	1.920/48.77		2.300/58.42		D		
-298	2x20			2.830/71.88	1.900/48.26	2.220/56.39		2.600/66.04		D		
-299	2x25			3.330/84.58	2.400/60.96	2.720/69.09		3.100/78.74		D		
-300	2x30	LP	S0	3.830/97.28	2.900/73.66	3.220/81.79	.675/17.15	3.600/91.44	30μ"/.76μ GRT/GOLD FLASH	D		
-301	2x5	NO	RND	1.330/33.78	.400/10.16	.720/18.29	.105/ 2.67	1.100/27.94	15μ"/.38μ Au OVER 50μ"/1.27μ Ni	A		
-302	2x7			1.530/38.86	.600/15.24	.920/23.37		1.300/33.02		C		
-303	2x8			1.630/41.40	.700/17.78	1.020/25.91		1.400/35.56		D		
-304	2x10			1.830/46.48	.900/22.86	1.220/30.99		1.600/40.64		D		
-305	2x13			2.130/54.10	1.200/30.48	1.520/38.61		1.900/48.26		D		
-306	2x17			2.530/64.26	1.600/40.64	1.920/48.77		2.300/58.42		D		
-307	2x20			2.830/71.88	1.900/48.26	2.220/56.39		2.600/66.04		D		
-308	2x25			3.330/84.58	2.400/60.96	2.720/69.09	.105/ 2.67	3.100/78.74		D		
-309	2x30			3.830/97.28	2.900/73.66	3.220/81.79	.105/ 2.67	3.600/91.44		D		
-310	2x5			1.330/33.78	.400/10.16	.720/18.29	.150/ 3.81	1.100/27.94		C		
-311	2x7			1.530/38.86	.600/15.24	.920/23.37		1.300/33.02		D		
-312	2x8			1.630/41.40	.700/17.78	1.020/25.91		1.400/35.56		D		
-313	2x10			1.830/46.48	.900/22.86	1.220/30.99		1.600/40.64		D		
-314	2x13			2.130/54.10	1.200/30.48	1.520/38.61		1.900/48.26		D		
-315	2x17			2.530/64.26	1.600/40.64	1.920/48.77		2.300/58.42		D		
-316	2x20			2.830/71.88	1.900/48.26	2.220/56.39		2.600/66.04		D		
-317	2x25			3.330/84.58	2.400/60.96	2.720/69.09		3.100/78.74		D		
-318	2x30	NO		3.830/97.28	2.900/73.66	3.220/81.79	.150/ 3.81	3.600/91.44		D		
-319	2x5	SID		1.330/33.78	.400/10.16	.720/18.29	.105/ 2.67	1.100/27.94		A		
-320	2x7			1.530/38.86	.600/15.24	.920/23.37		1.300/33.02		C		
-321	2x8			1.630/41.40	.700/17.78	1.020/25.91		1.400/35.56		D		
-322	2x10			1.830/46.48	.900/22.86	1.220/30.99		1.600/40.64		D		
-323	2x13			2.130/54.10	1.200/30.48	1.520/38.61		1.900/48.26		D		
66963-324	2x17	SID	RND	2.530/64.26	1.600/40.64	1.920/48.77	.105/ 2.67	2.300/58.42	15μ"/.38μ Au OVER 50μ"/1.27μ Ni	D		

SHEET NO 1		ISSUE NO 1		DO NOT SCALE DIMENSIONS		TOLERANCE UNLESS INDICATED		DATE 9/15/90		DRAWN BY M. SHUK	
MATERIAL 304 STAINLESS		FINISH		MATERIAL 304 STAINLESS		FINISH		DATE 9/15/90		DRAWN BY M. SHUK	
SHEET REQUIRED NO		FINISH		MATERIAL 304 STAINLESS		FINISH		DATE 9/15/90		DRAWN BY M. SHUK	

**FCI** WWW.FCI-CONNECT.COM  
 HEADQUARTERS: QUICKIE  
 SEA-HORSE, VERTICAL  
 66963 SHEET 12

PRODUCT NO PRODUCT NO	SIZE	LATCH NOTE	PIN SHAPE	DIM A	DIM B	DIM C	DIM D	DIM E	TERMINAL PLATING	STYLE	REVISING	
											BY	DATE
66963-325	2x20	STD	RND	2.830/71.88	1.900/48.26	2.220/56.39	1.05/ 2.67	2.600/66.04	15 $\mu$ "/.38 $\mu$ Au OVER 50 $\mu$ "/1.27 $\mu$ NI	D	REV	DESCRIPTION
-326	2x25			3.330/84.38	2.400/60.96	2.720/69.09	1.05/ 2.67	3.100/78.74		D		
-327	2x30			3.830/97.28	2.900/73.66	3.220/81.79	1.05/ 2.67	3.600/91.44		D		
-328	2x5			1.330/33.78	.400/10.16	.720/18.29	.150/ 3.81	1.100/27.94		A		
-329	2x7			1.530/38.86	.600/15.24	.920/23.37		1.300/33.02		C		
-330	2x8			1.630/41.40	.700/17.78	1.020/25.91		1.400/35.56		D		
-331	2x10			1.830/46.48	.900/22.86	1.220/30.99		1.600/40.64		D		
-332	2x13			2.130/54.10	1.200/30.48	1.520/38.61		1.900/48.26		D		
-333	2x17			2.530/64.26	1.600/40.64	1.920/48.77		2.300/58.42		D		
-334	2x20			2.830/71.88	1.900/48.26	2.220/56.39		2.600/66.04		D		
-335	2x25			3.330/84.38	2.400/60.96	2.720/69.09		3.100/78.74		D		
-336	2x30	STD		3.830/97.28	2.900/73.66	3.220/81.79	1.05/ 3.81	3.600/91.44		D		
-337	2x5	LP		1.330/33.78	.400/10.16	.720/18.29	1.05/ 2.67	1.100/27.94		A		
-338	2x7			1.530/38.86	.600/15.24	.920/23.37		1.300/33.02		C		
-339	2x8			1.630/41.40	.700/17.78	1.020/25.91		1.400/35.56		D		
-340	2x10			1.830/46.48	.900/22.86	1.220/30.99		1.600/40.64		D		
-341	2x13			2.130/54.10	1.200/30.48	1.520/38.61		1.900/48.26		D		
-342	2x17			2.530/64.26	1.600/40.64	1.920/48.77		2.300/58.42		D		
-343	2x20			2.830/71.88	1.900/48.26	2.220/56.39		2.600/66.04		D		
-344	2x25			3.330/84.38	2.400/60.96	2.720/69.09		3.100/78.74		D		
-345	2x30			3.830/97.28	2.900/73.66	3.220/81.79	1.05/ 2.67	3.600/91.44		D		
-346	2x5			1.330/33.78	.400/10.16	.720/18.29	.150/ 3.81	1.100/27.94		A		
-347	2x7			1.530/38.86	.600/15.24	.920/23.37		1.300/33.02		C		
-348	2x8			1.630/41.40	.700/17.78	1.020/25.91		1.400/35.56		D		
-349	2x10			1.830/46.48	.900/22.86	1.220/30.99		1.600/40.64		D		
-350	2x13			2.130/54.10	1.200/30.48	1.520/38.61		1.900/48.26		D		
-351	2x17			2.530/64.26	1.600/40.64	1.920/48.77		2.300/58.42		D		
-352	2x20			2.830/71.88	1.900/48.26	2.220/56.39		2.600/66.04		D		
-353	2x25			3.330/84.38	2.400/60.96	2.720/69.09		3.100/78.74		D		
-354	2x30	LP		3.830/97.28	2.900/73.66	3.220/81.79	1.05/ 3.81	3.600/91.44		D		
-355	2x5	NO		1.330/33.78	.400/10.16	.720/18.29	1.05/ 2.67	1.100/27.94		B		
-356		NO										
-357		NO	RND									
-358		NO	SD									
-359		STD	RND									
66963-360	2x5	STD	RND	1.330/33.78	.400/10.16	.720/18.29	1.05/ 2.67	1.100/27.94	15 $\mu$ "/.38 $\mu$ Au OVER 50 $\mu$ "/1.27 $\mu$ NI	B	DATE	

SHEET NO. 1		ISSUE		DO NOT SCALE		TERMINAL UNLESS INDICATED		MIL.		DATE	
DRAWN		CHECKED		ENGR.		MATERIAL		FINISH		BY	
SCALE		TOLERANCES		DIMENSIONS		ANGLES		FINISH		DATE	
1/8" = 1"		FRACTIONS		DECIMALS		DEGREES		PLATING		BY	
1/16"		.001"		.0005"		.0001"		.0001"		DATE	
1/32"		.0005"		.0002"		.0001"		.0001"		DATE	
1/64"		.0002"		.0001"		.0001"		.0001"		DATE	
1/128"		.0001"		.0001"		.0001"		.0001"		DATE	
1/256"		.00005"		.00005"		.00005"		.00005"		DATE	





