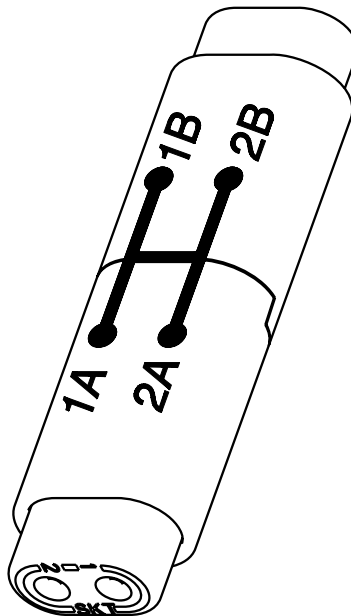
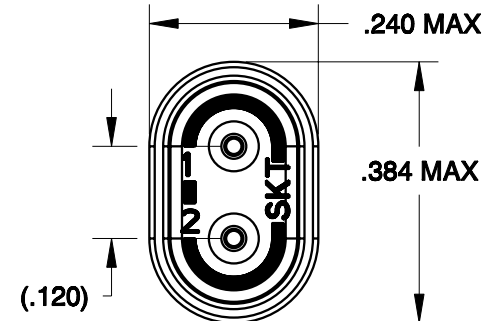
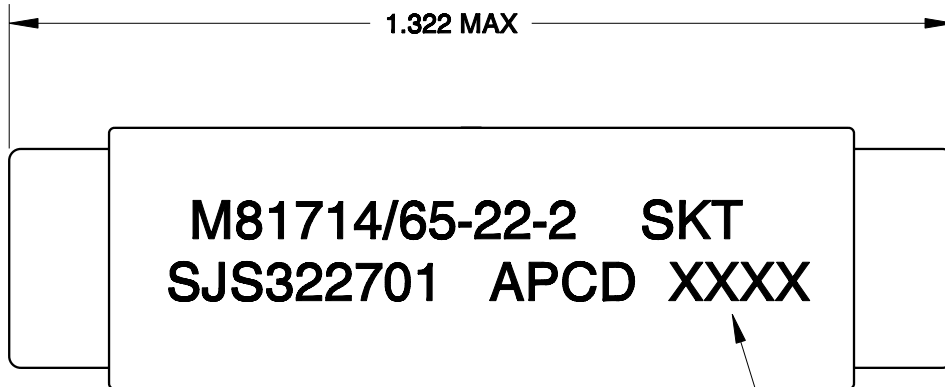


REV	ECN	APP'D
-	4679	JT 12/20/01
A	5793	RS 1/27/06
B	5971	



DATE CODE

SCALE 3:1

NOTES:

- MATERIALS:  
INSULATOR BODY: POLYETHERIMIDE PER ASTM-D-5205  
WIRE-SEALING GROMMET: SILICONE RUBBER PER A-A-59588  
INTERNAL CONTACT: COPPER ALLOY, GOLD FINISH
- PART ACCEPTS M39029/22-191 SOCKET CONTACTS - PER TABLE.
- OPERATING RANGE:  
TEMPERATURE: -65° C TO 200° C  
INSULATION RESISTANCE: 5000 MEGOHMS MIN  
DIELECTRIC WITHSTANDING VOLTAGE: 1500 VRMS, SEA LEVEL  
200 VRMS, 100,000 FT ALTITUDE  
CURRENT RATING: 5 AMPS  
VIBRATION AND SHOCK: PER MIL-T-81714, PARA. 3.5.5 AND 3.5.8.

PART NO.	DESCRIPTION	P/N MARKING
SJS322601	CONTACTS NOT SUPPLIED	SJS322701
SJS322701	QTY 5, M39029/22-191 INCLUDED QTY 1, MS27488-22-1 SEALING PLUG INCLUDED	

<b>DIMENSIONS</b> ANSI Y14.5M UNITS: INCHES Pro/E FILE	<b>TOLERANCES</b> .XX ±0.01 .XXX ±0.005 ANGLES ±1.0°	<b>PROJECTION</b> 	<b>Amphenol Pcd</b> SPECIFICATION DRAWING ENGR S. HORNER 12/17/01		<b>TITLE</b> SJS WIRE SPLICE, DOUBLE BUSSED, SIZE 22		
					THIS DOCUMENT CONTAINS PROPRIETARY INFORMATION WHICH IS THE CONFIDENTIAL PROPERTY OF AMPHENOL PCD INC., PEABODY, MA		
			<b>CHKD</b>	<b>CODE:</b> 58982 <b>SCALE:</b> 4:1 <b>SHEET</b> 1 OF 1			
			<b>APPD</b>				