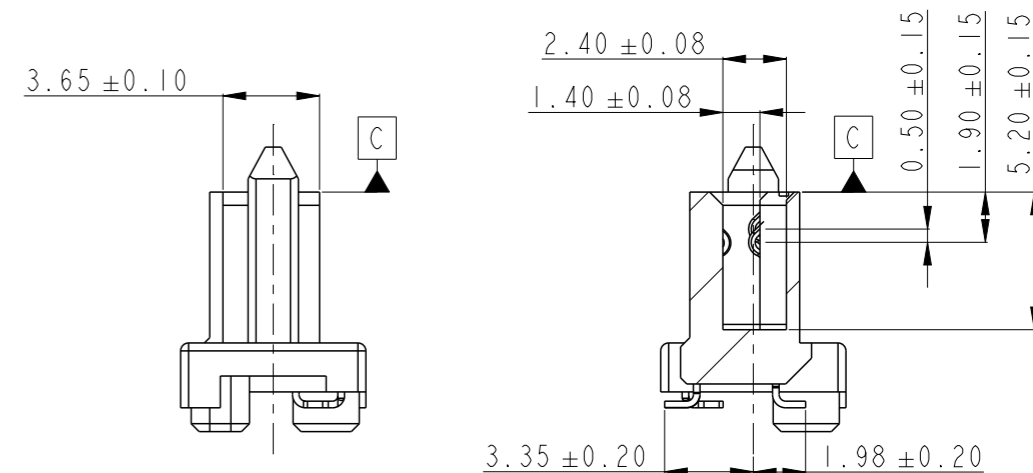
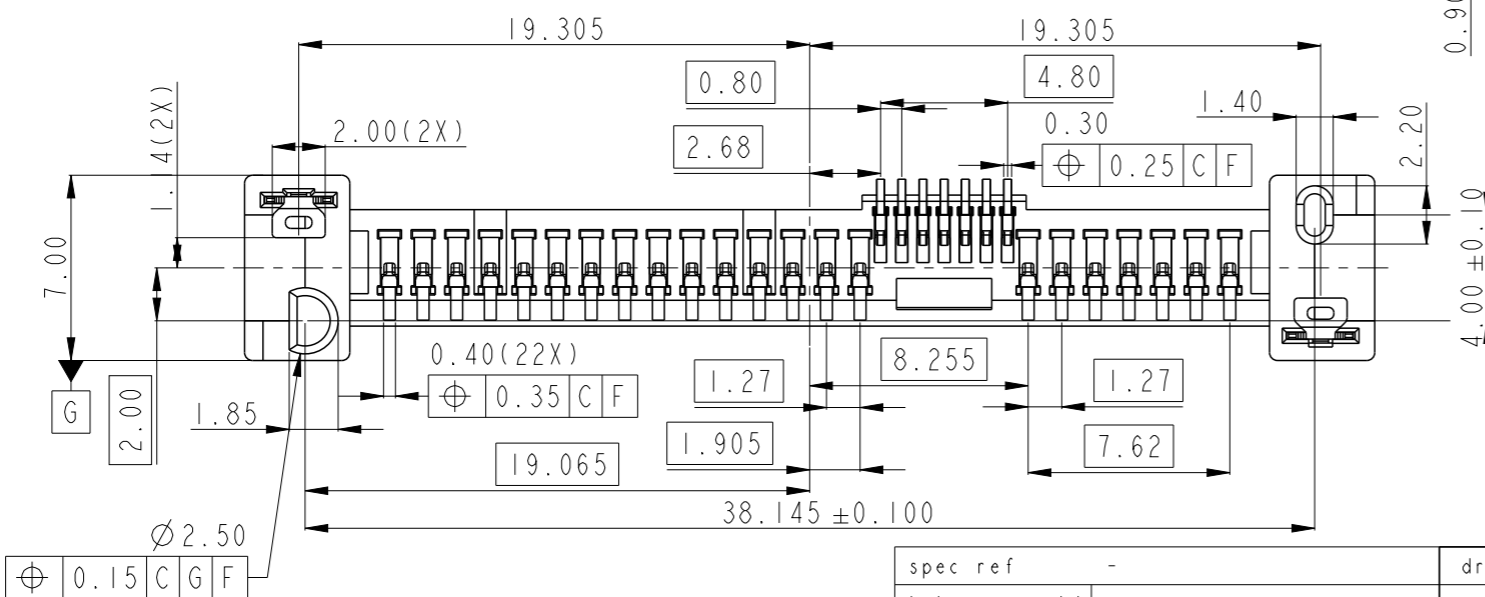
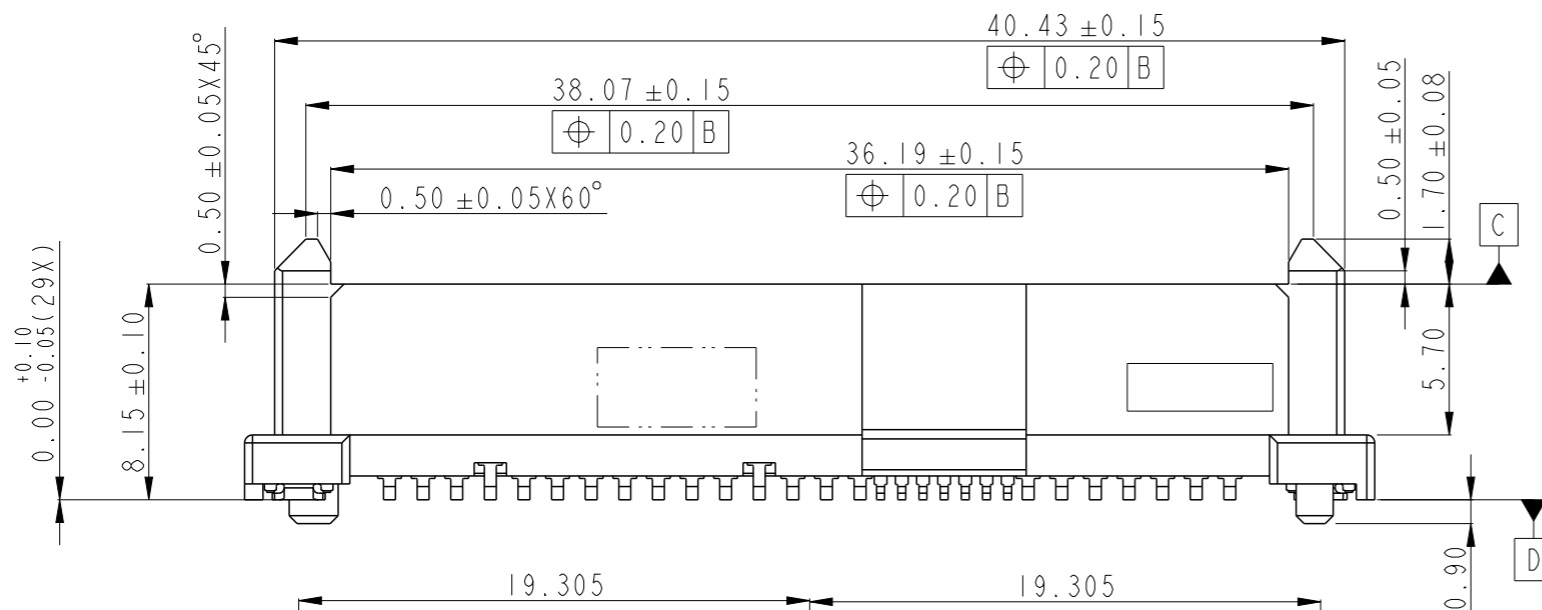
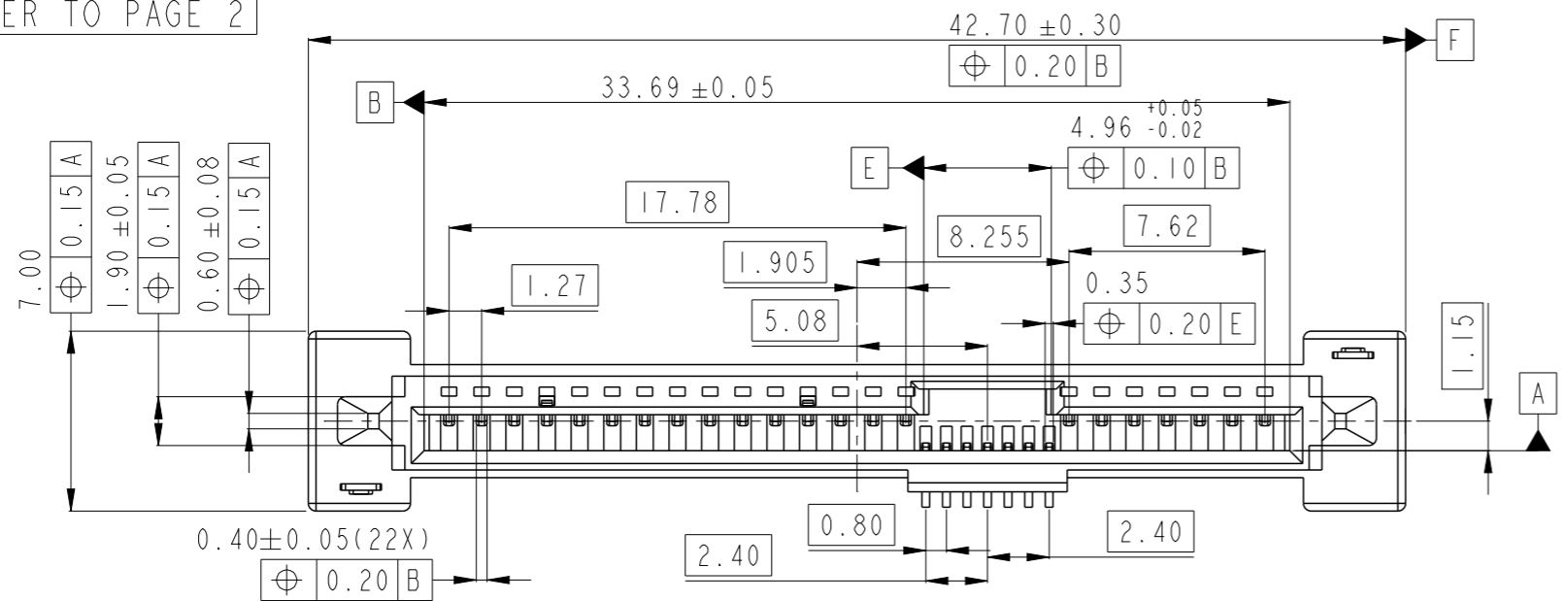


PRODUCT No.
REFER TO PAGE 2



SECTION Z-Z

SCALE 7:2

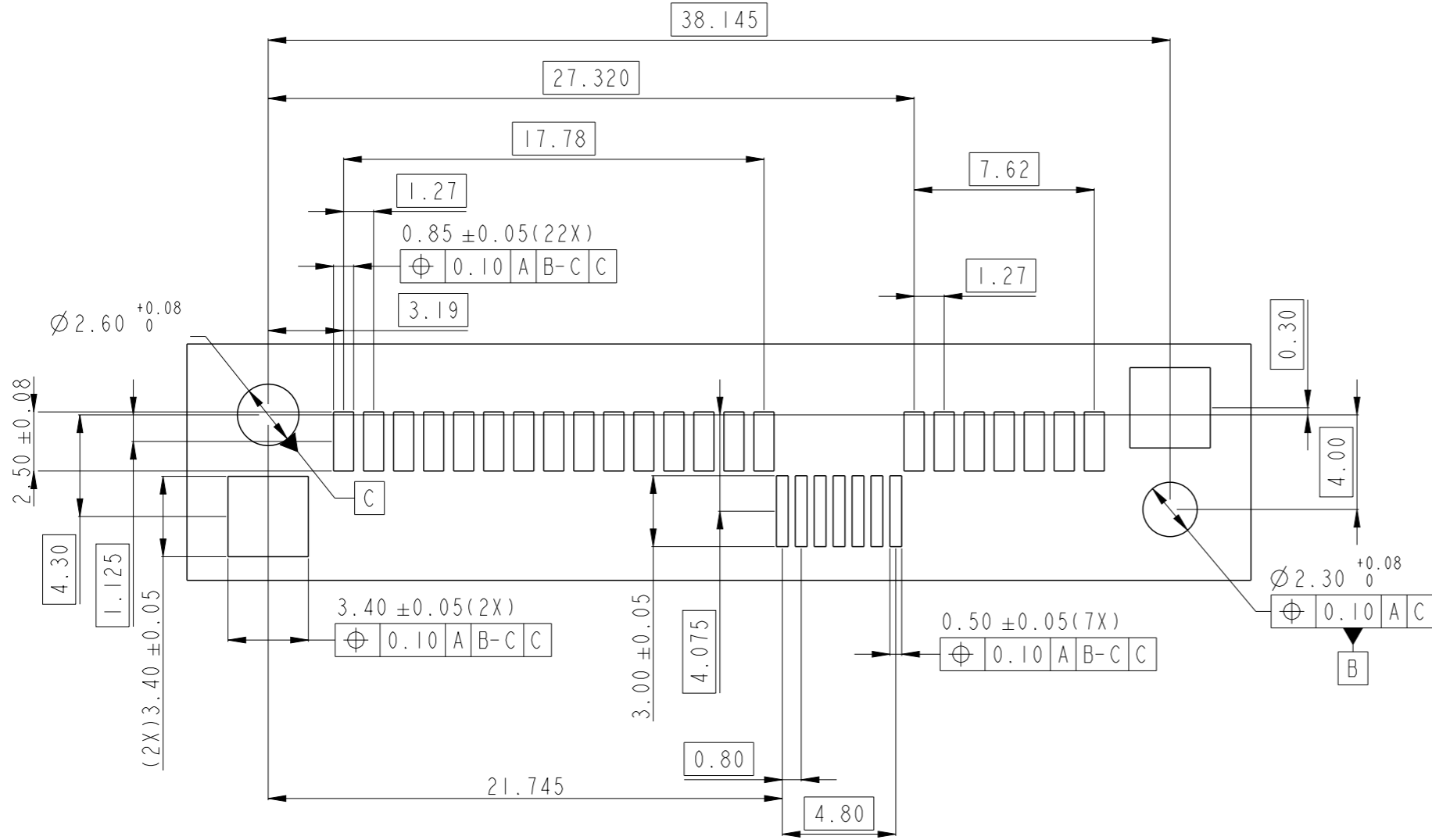
spec ref	-	dr	Koon-Poh Tay	2013/06/18	projection	MM	size	A3	scale	1:1							
tolerance std	TOLERANCES UNLESS OTHERWISE SPECIFIED	eng	Koon-Poh Tay	2013/06/19			ecn no	-	rel level	Released							
surface	<table border="1"> <tr> <td>linear</td> <td>0.X</td> <td>±0.3</td> </tr> <tr> <td></td> <td>0.XX</td> <td>±0.2</td> </tr> <tr> <td></td> <td>0.XXX</td> <td>±-</td> </tr> <tr> <td>angular</td> <td>0°</td> <td>±2°</td> </tr> </table>	linear	0.X	±0.3								0.XX	±0.2		0.XXX	±-	angular
linear	0.X	±0.3															
	0.XX	±0.2															
	0.XXX	±-															
angular	0°	±2°															
		appr	Chen-Hong Tan	2013/06/19			<table border="1"> <tr> <td>title</td> <td>SAS RECEPTACLE VERTICAL SMT (WIDE BASE)</td> </tr> <tr> <td>dwg no</td> <td>10123071</td> </tr> <tr> <td>cat. no.</td> <td>-</td> </tr> </table>	title	SAS RECEPTACLE VERTICAL SMT (WIDE BASE)	dwg no	10123071	cat. no.	-	rev	A		
title	SAS RECEPTACLE VERTICAL SMT (WIDE BASE)																
dwg no	10123071																
cat. no.	-																

www.fci.com	Product - Customer Drw	sheet 1 of 2
-------------	------------------------	--------------

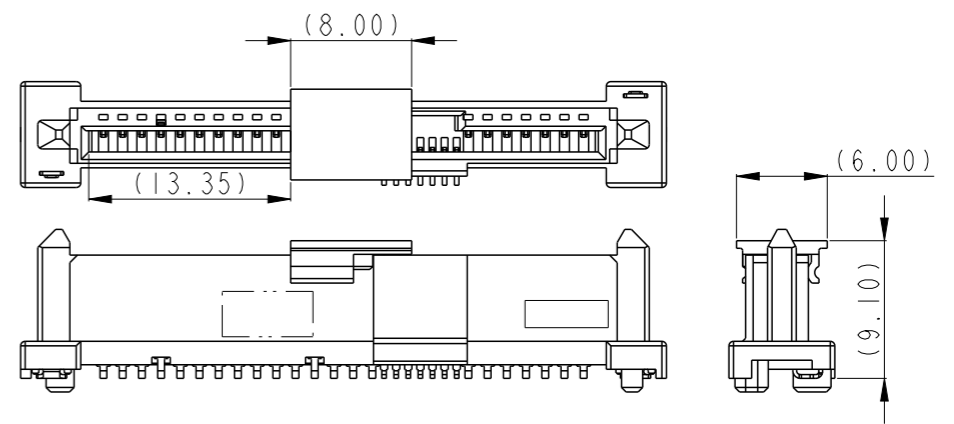
PRODUCT No.	PICK UP CAP	PACKAGING
10123071-001LF	NO	TRAY
10123071-001CLF	YES	
10123071-001C-TRLF	YES	TAPE & REEL

NOTE:

- MATERIAL :
 - A) HOUSING : HIGH TEMPERATURE THERMOPLASTIC, UL 94V-0
COLOUR : BLACK
 - B) TERMINAL : COPPER ALLOY
 - C) HOLD DOWN : COPPER ALLOY
- FINISH
 - A) CONTACT AREA: 30u" GOLD MIN, OVER 50u" MIN NICKEL
 - B) SOLDER TAIL: 100u" MIN MATTE TIN OVER 50u" MIN NICKEL
 - C) HOLD DOWN: 100u" MIN MATTE TIN OVER 50u" MIN NICKEL
- THE HOUSING WILL WITHSTAND EXPOSURE TO 260° PEAK TEMPERATURE FOR 10 SECONDS IN A CONVECTION, INFRA-RED OR VAPOR PHASE REFLOW OVEN.
- THIS PRODUCT MEETS EUROPEAN UNION DIRECTIVES AND OTHER COUNTRY REGULATIONS AS DESCRIBED IN GS-22-008.
- A **A** WILL BE NEXT TO ANY DIMENSION, VIEW, OR NOTE WHICH HAS BEEN MODIFIED WITH THE CURRENT DRAWING REVISION.



RECOMMENDED FOOTPRINT
SCALE 4:1



SCALE 2:1

spec ref	-	dr	Koon-Poh Tay	2013/06/18	projection	MM	size	A3	scale	1:1										
tolerance std	TOLERANCES UNLESS OTHERWISE SPECIFIED	eng	Koon-Poh Tay	2013/06/19			ecn no	-	rel level	Released										
-	-	chr	-	-																
surface	<table border="1"> <tr> <td>linear</td> <td>0.X</td> <td>±0.3</td> </tr> <tr> <td></td> <td>0.XX</td> <td>±0.2</td> </tr> <tr> <td></td> <td>0.XXX</td> <td>±-</td> </tr> <tr> <td>angular</td> <td>0°</td> <td>±2°</td> </tr> </table>	linear	0.X	±0.3		0.XX	±0.2		0.XXX	±-	angular	0°	±2°	appr	Chen-Hong Tan	2013/06/19	product family	SAS	rel level	Released
linear	0.X	±0.3																		
	0.XX	±0.2																		
	0.XXX	±-																		
angular	0°	±2°																		
-	-			title	SAS RECEPTACLE VERTICAL SMT (WIDE BASE)		dwg no	10123071		rev	A									
-	-	www.fci.com	cat. no.	-	Product - Customer Drw	sheet 2 of 2														