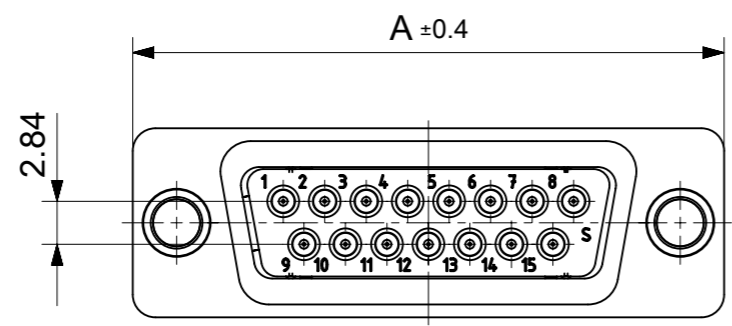
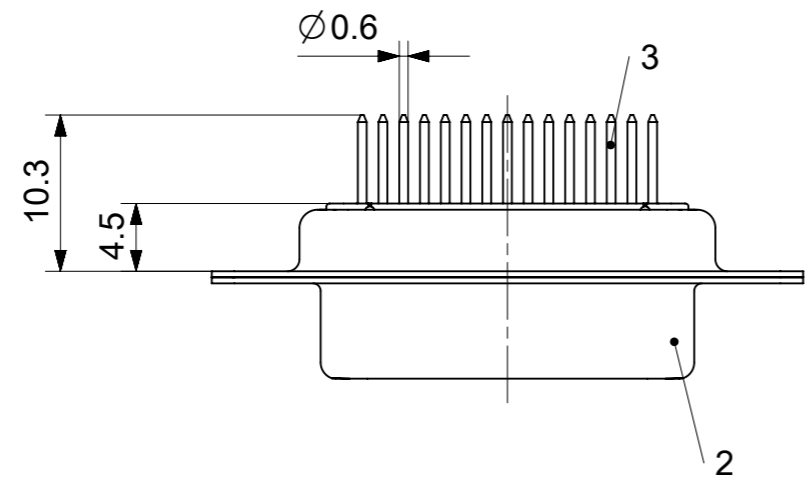
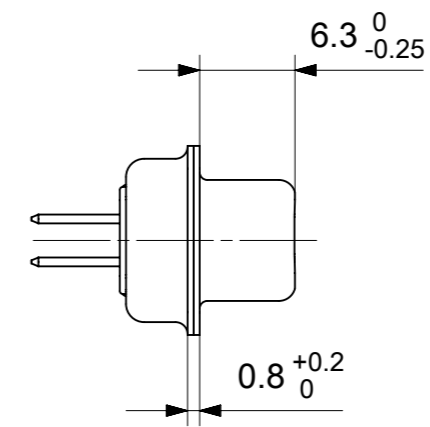
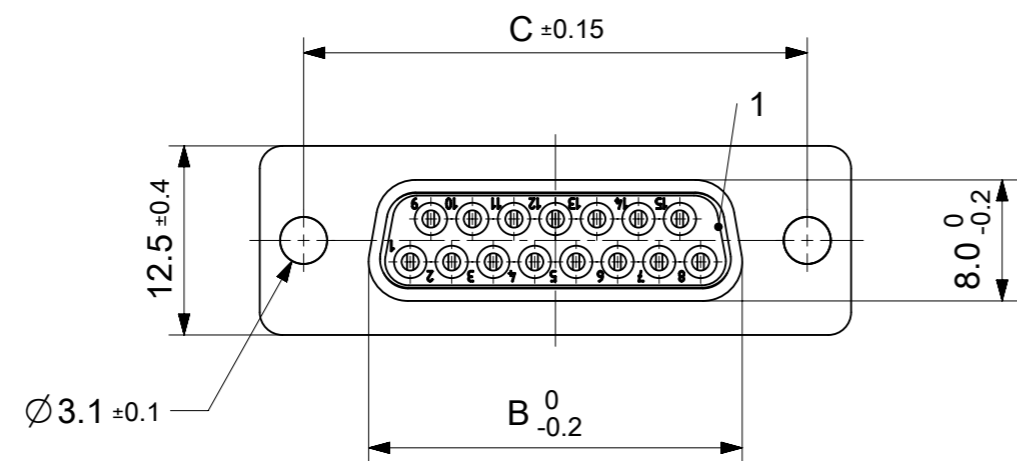


RoHS compliant
by exemption



FCT Part number:
Fxx*1)S1G1A
e.g. F15S1G1A

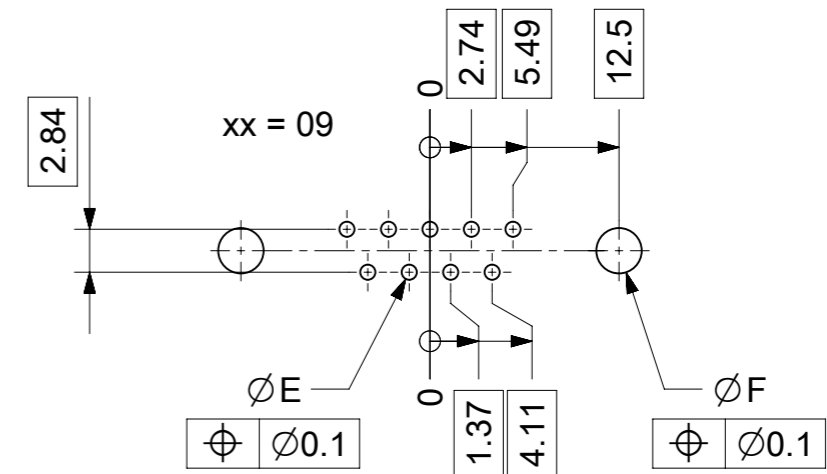
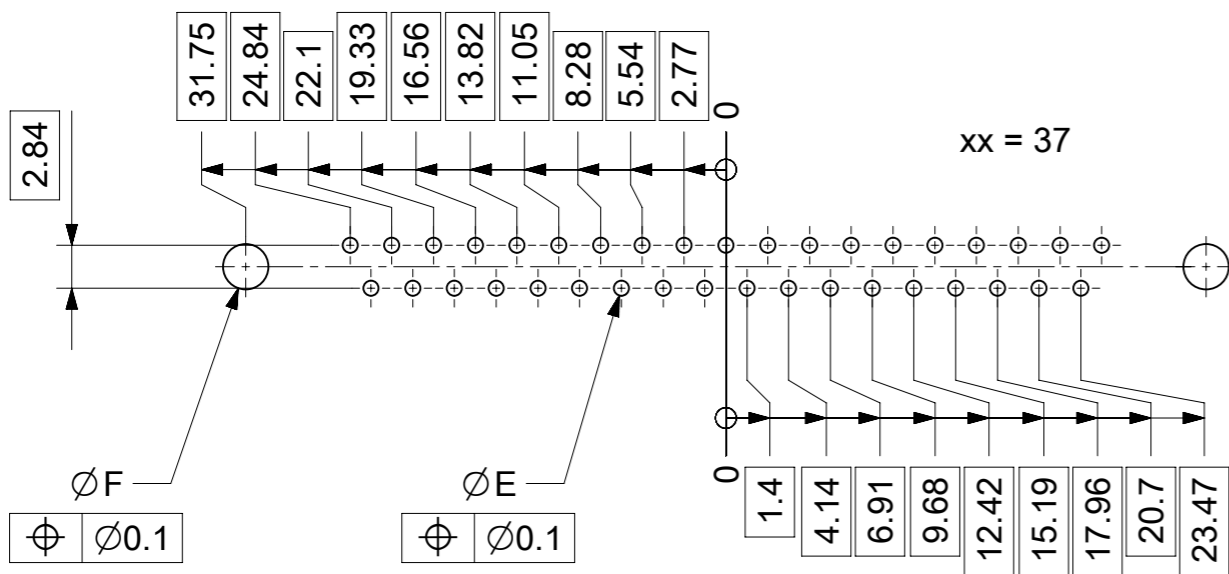
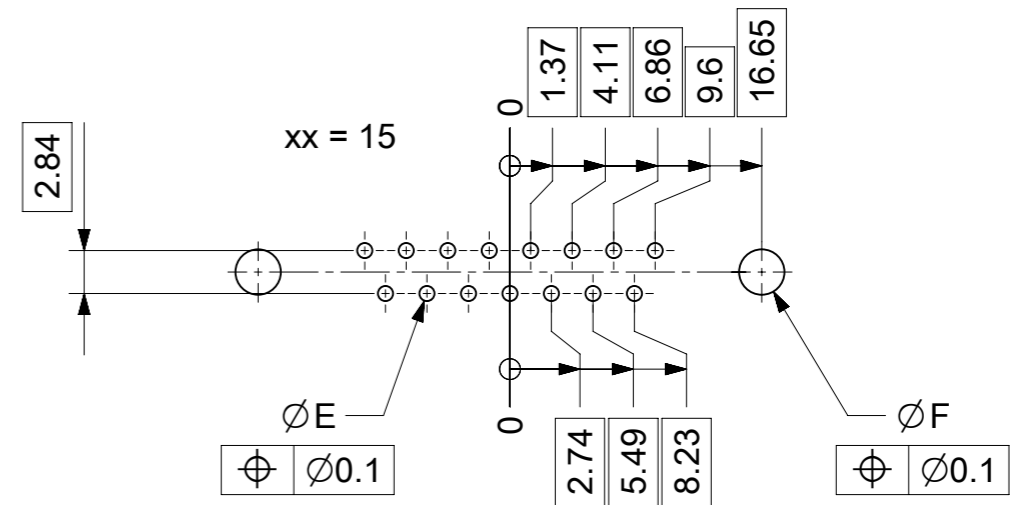
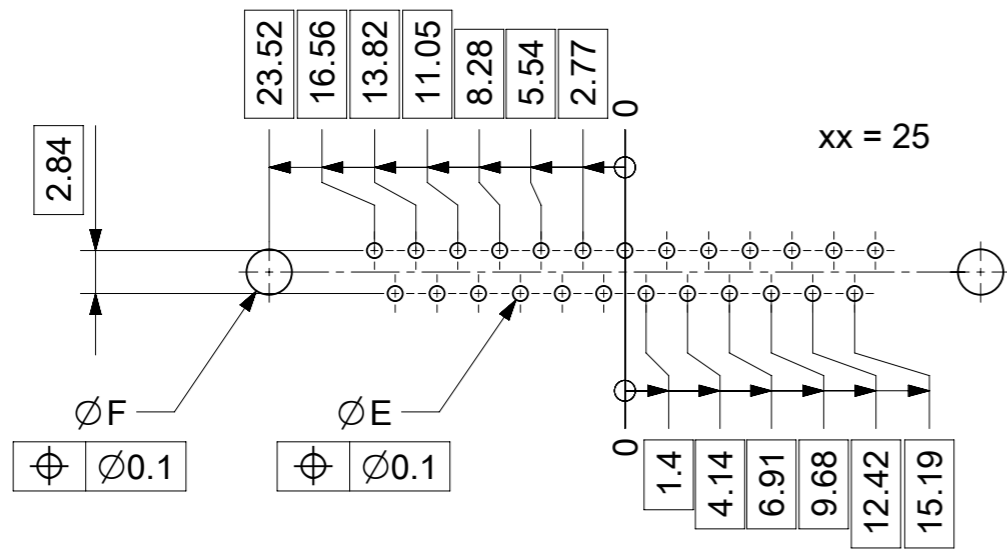
*1) xx No. of contacts 09, 15, 25 or 37

Material Number	xx*1)	A[mm]	B[mm]	C[mm]	*E[mm]
1731090694	09	30.8	16.4	25	Ø1
1731090704	15	39.1	24.7	33.3	
1731090713	25	53	38.5	47.04	
1731090649	37	69.3	54.9	63.5	

*PCB hole patterns ØE see document 2195600023

3	xx	Signal contact	S1 / Brass	Auropur
2	1	Shell	Steel	tin plated
1	1	Insulator	PBT (-55°C to +125°C) acc. UL94V-0	white
No.	Pc.	Part	Type Description/Material	Surface plating/ Color/Class

MEASUREMENTS WITHOUT TOLERANCE ACC TO ISO 2768-m			REPLACEMENT FOR DOCUMENT NUMBER: FxxS1G1A		
FUNCTIONAL SYMBOLS	THIS DRAWING CONTAINS INFORMATION THAT IS PROPRIETARY TO MOLEX ELECTRONIC TECHNOLOGIES, LLC AND SHOULD NOT BE USED WITHOUT WRITTEN PERMISSION		<div style="text-align: center; font-size: 2em; font-weight: bold;">molex</div> <p>FCT D-SUB MINIATURE CONNECTOR</p> <p>PRODUCT CUSTOMER DRAWING</p>		
$\nabla_A = 0$ $\nabla_E = 0$ $\nabla_{E'} = 0$	DIMENSION UNITS: mm SCALE: 2:1 GENERAL TOLERANCES (UNLESS SPECIFIED) ANGULAR TOL ± °	CURRENT REV DESC: EC NO: 707726 DRWN: GOOLAM 2021/11/30 CHK'D: MTEUBEL 2022/05/25 APPR: MTEUBEL 2022/05/25			
DIVISIONAL SYMBOLS	4 PLACES ± 3 PLACES ± 2 PLACES ± 1 PLACE ± 0 PLACES ±	INITIAL REVISION: DRWN: GOOLAM 2021/11/30 APPR: MTEUBEL 2022/05/25	DOCUMENT NUMBER: 1731090694 DOC TYPE: PSD DOC PART: 000 REVISION: A		
DRAFT WHERE APPLICABLE MUST REMAIN WITHIN DIMENSIONS		FIRST ANGLE PROJECTION	DRAWING: A3-SIZE	SERIES: 173109	SHEET NUMBER: 1 OF 1



ØE, ØF see data sheet incl. connector
 ØF connectors with accessories only

MEASUREMENTS WITHOUT TOLERANCE ACC TO ISO 2768-m			REPLACEMENT FOR DOCUMENT NUMBER: AM0023		
FUNCTIONAL SYMBOLS	THIS DRAWING CONTAINS INFORMATION THAT IS PROPRIETARY TO MOLEX ELECTRONIC TECHNOLOGIES, LLC AND SHOULD NOT BE USED WITHOUT WRITTEN PERMISSION		CURRENT REV DESC:		
	DIMENSION UNITS	SCALE			
FA = 0	mm	2:1	molex FCT PCB HOLE PATTERN STRAIGHT CONTACT NO. OF CONTACTS 09-37 PRODUCT CUSTOMER DRAWING		
FE = 0	GENERAL TOLERANCES (UNLESS SPECIFIED)				
FP = 0	ANGULAR TOL ± °				
DIVISIONAL SYMBOLS	4 PLACES ±				
	3 PLACES ±		EC NO: 713905		
	2 PLACES ±		DRWN: SKANDB 2022/05/16		
	1 PLACE ±		CHK'D: MTEUBEL 2022/07/12		
	0 PLACES ±		APPR: MTEUBEL 2022/07/12		
DRAFT WHERE APPLICABLE MUST REMAIN WITHIN DIMENSIONS			INITIAL REVISION:		
FIRST ANGLE PROJECTION			DRWN: SKANDB 2022/05/16		
DRAWING			APPR: MTEUBEL 2022/07/12		
SERIES			DOCUMENT NUMBER		
A3-SIZE			2195600023		
219560			DOC TYPE		
MATERIAL NUMBER			PSD		
219560			DOC PART		
CUSTOMER			000		
GENERAL MARKET			REVISION		
SHEET NUMBER			A		
1 OF 1					