

# Type BLR-I-906-G

## Fuse Block - Indicating

### 6 Pole - Regular, ATC/ATO Auto Blade

### With 6-Position Grounding Block



www.optifuse.com (619) 593-5050

#### Specifications:

**Max Voltage:** 32VDC

**Max Current Rating:** 30A per Circuit - 100A Max

**Fuse Type:** Regular, ATO / ATC, Auto Blade (APR / ANR series)  
(Fuses or Circuit Breakers)

**Mounting:** 4 mounting holes, 4.5mm diameter

**Indicating LED** – Red

**Temperature Rating:** -20° C ~ +85° C

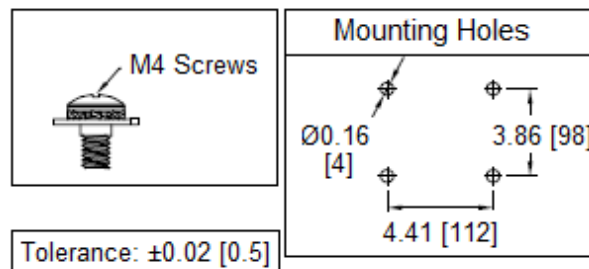
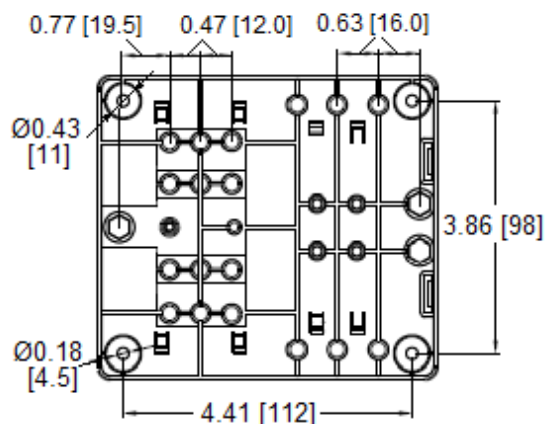
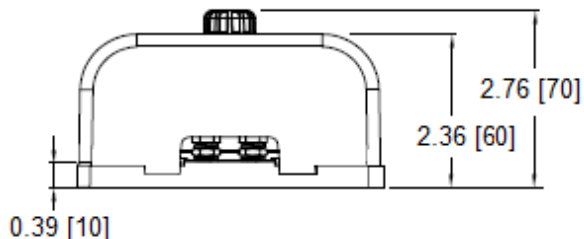
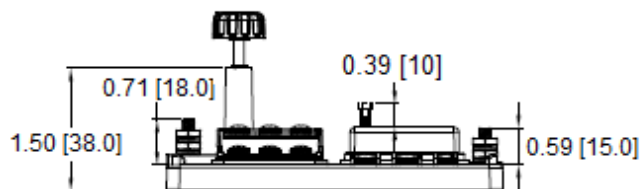
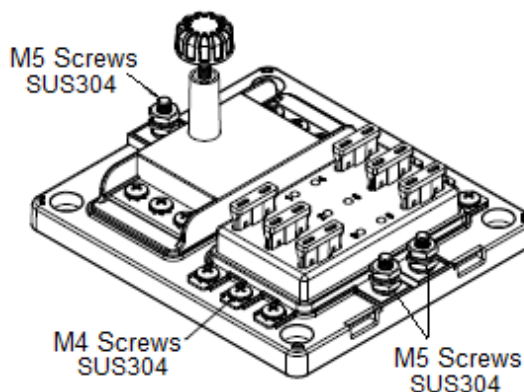
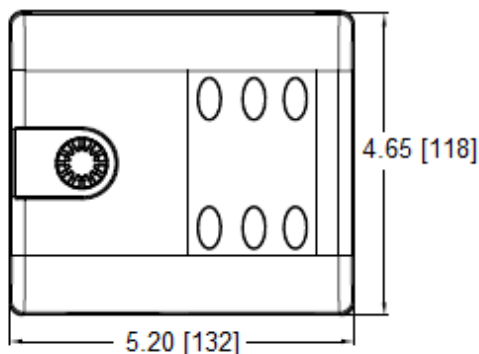
#### Material:

**Base:** PBT, Black

**Cover:** PC, Clear

**Terminals:** Copper

#### Mechanical Dimensions: Inches [mm]



#### Warning:



-Operation beyond the specified maximum ratings or improper use may result in damage and possible electrical arcing and/or flame.

-Avoid contact of device with chemical solvent. Prolonged contact may damage the device performance.

Note: All specifications subject to change without notice.

Rev A 08/2018 - Page: 1/1  
Code S02-01H