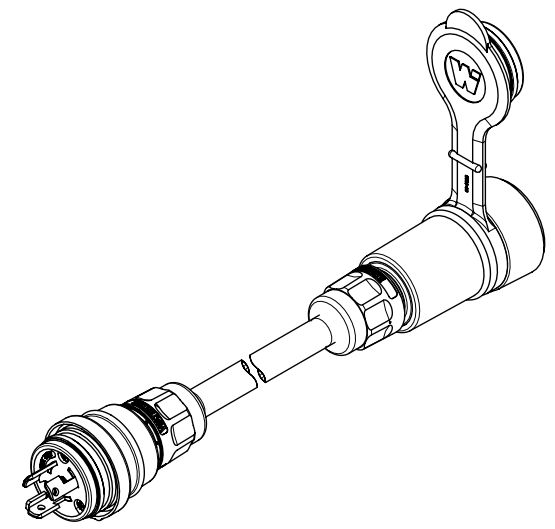
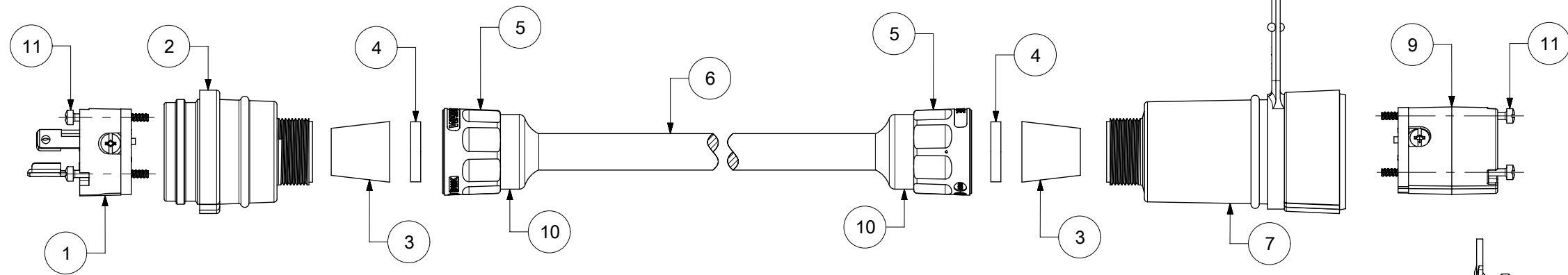
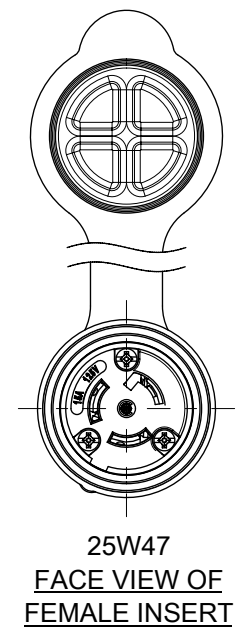
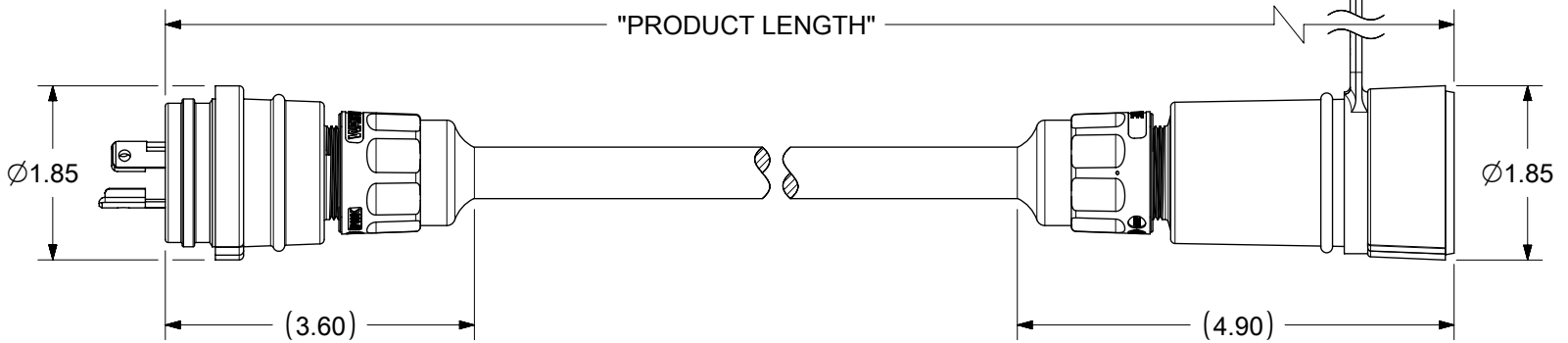
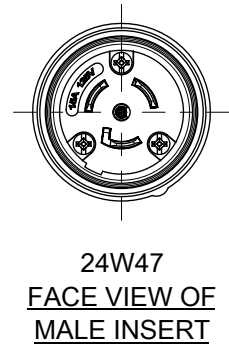


MATERIAL NO.	ENGINEERING NO.	DESCRIPTION	PRODUCT LENGTH
1301430187	24W47A143	24W47 W25FT 14-3-SO 25W47	25 FT +12.0/-0.0 IN
1301430189	24W47A163	24W47 W25FT 16-3-SO 25W47	25 FT +12.0/-0.0 IN
1301430190	24W47B123	24W47 W/50FT 12-3SO 25W47	50 FT +24.0/-0.0 IN
1301430191	24W47B143	24W47 W50FT 14-3-SO 25W47	50 FT +24.0/-0.0 IN
1301430193	24W47B163	24W47 W50FT 16-3-SO 25W47	50 FT +24.0/-0.0 IN
1301430195	24W47D143	24W47 W100FT 14-3SO 25W47	100 FT +24.0/-0.0 IN
1301430196	24W47D163	24W47 W/100FT 16/3 SOW25W47	100 FT +24.0/-0.0 IN
1301430368	26W47L143	24W47 W/6FT 14-3 SO & 25W47	6 FT +9.0/-0.0 IN
1301430369	130143-0369	24W47 W/18FT 14-3-SO & 25W47	18 FT +12.0/-0.0 IN

NEMA L5-15; 15A 125V; 2-POLE/3-WIRE



ITEM NO.	DESCRIPTION	MATERIAL	QTY.
1	MALE INSERT ASSY.	NYLON, POLYCARBONATE, BRASS PLATING - NICKEL OR ZINC	1
2	WATERTITE - MALE HUSK	SILICONE	1
3	GROMMET	RUBBER	2
4	FRICITION RING	NYLON	2
5	COMPRESSION NUT YELLOW	NYLON	2
6	YELLOW SOOW CORD	COPPER WIRE	1
7	WATERTITE - FEMALE HUSK	SILICONE	1
8	CLOSURE CAP YELLOW	SILICONE	1
9	FEMALE INSERT ASSY.	NYLON, POLYCARBONATE, BRASS PLATING - NICKEL OR ZINC	1
10	CABLE GLOVE	SILICONE	2
11	RETAINING SCREW	STAINLESS STEEL	6



SYMBOLS DIMENSION UNITS: INCH SCALE: NTS GENERAL TOLERANCES (UNLESS SPECIFIED): ANGULAR TOL: ± ° 4 PLACES: ± 3 PLACES: ± 2 PLACES: ± 1 PLACE: ± 0 PLACES: ± DRAFT WHERE APPLICABLE MUST REMAIN WITHIN DIMENSIONS	THIS DRAWING CONTAINS INFORMATION THAT IS PROPRIETARY TO MOLEX ELECTRONIC TECHNOLOGIES, LLC AND SHOULD NOT BE USED WITHOUT WRITTEN PERMISSION		CURRENT REV DESC: NEW SALE DRAWING CREATED.		
	EC NO: 620468 DRWN: PPURSUTANDEL 2019/07/05 CHK'D: DNGUYEN62 2019/08/07 APPR: HKNEELAND 2020/05/19		PRODUCT CUSTOMER DRAWING		
	INITIAL REVISION: DRWN: PPURSUTANDEL 2019/07/05 APPR: HKNEELAND 2020/05/19		DOCUMENT NUMBER: 1301430187	DOC TYPE: PSD DOC PART: 000 REVISION: A	
	THIRD ANGLE PROJECTION	DRAWING: B-SIZE	SERIES: 130143	MATERIAL NUMBER: SEE TABLE CUSTOMER: GENERAL MARKET SHEET NUMBER: 1 OF 1	