

IEC Appliance Inlet C6, Screw-on Mounting, Front or Rear Side, Solder, PCB or Quick-connect Terminal



See below:

Approvals and Compliances

Description

- Panel mount
- Screw-on mounting , front side
- 1 Function
- Appliance Inlet , Pin temperature 70 °C Protection class I ,
- Solder / Quick Connect / PCB Terminal

Characteristics

- Contact pins are turned from solid material

References

We recommend for new applications the type [0724](#)

Weblinks

[pdf data sheet](#), [html datasheet](#), [General Product Information](#), [Approvals](#), [Distributor-Stock-Check](#), [Accessories](#), [Detailed request for product](#)

Technical Data

Ratings IEC	2.5 A / 250 VAC; 50Hz	Appliance inlet/-outlet	C6 acc. to IEC/EN 60320-1 UL 60320-1, CSA C22.2 no. 60320-1 (for cold conditions) pin-temperature 70 °C, 2.5A, Protection Class I
Ratings UL/CSA	7 A / 125VAC; 60Hz		
Dielectric Strength	> 4 kVAC between L-N > 2 kVAC between L/N-PE (1 min/50Hz)		
Allowable Operation Temperature	-25 °C to 70 °C		
IP-Protection	front side IP20 acc. to IEC 60529		
Protection against electric shock	Suitable for appliances with protection class I acc. to IEC 61140		
Material: Housing	PA6, black, UL 94V-0		

Approvals and Compliances

Detailed information on product approvals, code requirements, usage instructions and detailed test conditions can be looked up in [Details about Approvals](#)

SCHURTER products are designed for use in industrial environments. They have approvals from independent testing bodies according to national and international standards. Products with specific characteristics and requirements such as required in the automotive sector according to IATF 16949, medical technology according to ISO 13485 or in the aerospace industry can be offered exclusively with customer-specific, individual agreements by SCHURTER.

Approvals




The approval mark is used by the testing authorities to certify compliance with the safety requirements placed on electronic products.

Approval Reference Type: 2561

Approval Logo	Certificates	Certification Body	Description
	VDE Approvals	VDE	VDE Certificate Number: 40002273
	UL Approvals	UL	UR File Number: E96454
	CSA Approvals	CSA	CSA Certification Record: 27324


Product standards

Product standards that are referenced

Organization	Design	Standard	Description
	Designed according to	IEC/EN 60320-1	Appliance couplers for household and similar general purposes
	Designed according to	UL 60320-1	Standard for Attachment Plugs and Receptacles
	Designed according to	CSA C22.2 no. 60320-1	General Use Receptacles, Attachment Plugs, and Similar Wiring Devices






Application standards

Application standards where the product can be used

Organization	Design	Standard	Description
	Designed for applications acc.	IEC/UL 62368-1	Audio/video, information and communication technology equipment - Part 1: Safety requirements

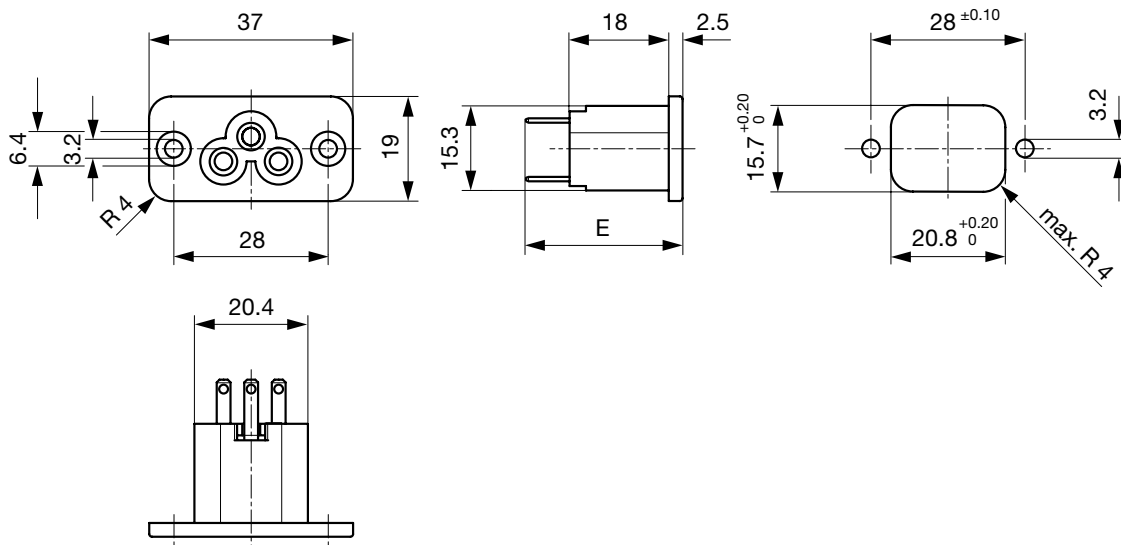
Compliances

The product complies with following Guide Lines

Identification	Details	Initiator	Description
	CE declaration of conformity	SCHURTER AG	The CE marking declares that the product complies with the applicable requirements laid down in the harmonisation of Community legislation on its affixing in accordance with EU Regulation 765/2008.
	UKCA declaration of conformity	SCHURTER AG	The UKCA marking declares that the product complies with the applicable requirements laid down in the British Amendment of Regulation (EC) 765/2008.
	RoHS	SCHURTER AG	Directive RoHS 2011/65/EU, Amendment (EU) 2015/863
	China RoHS	SCHURTER AG	The law SJ / T 11363-2006 (China RoHS) has been in force since 1 March 2007. It is similar to the EU directive RoHS.
	REACH	SCHURTER AG	On 1 June 2007, Regulation (EC) No 1907/2006 on the Registration, Evaluation, Authorization and Restriction of Chemicals 1 (abbreviated as "REACH") entered into force.

Dimensions [mm]

Solder/quick connect terminals

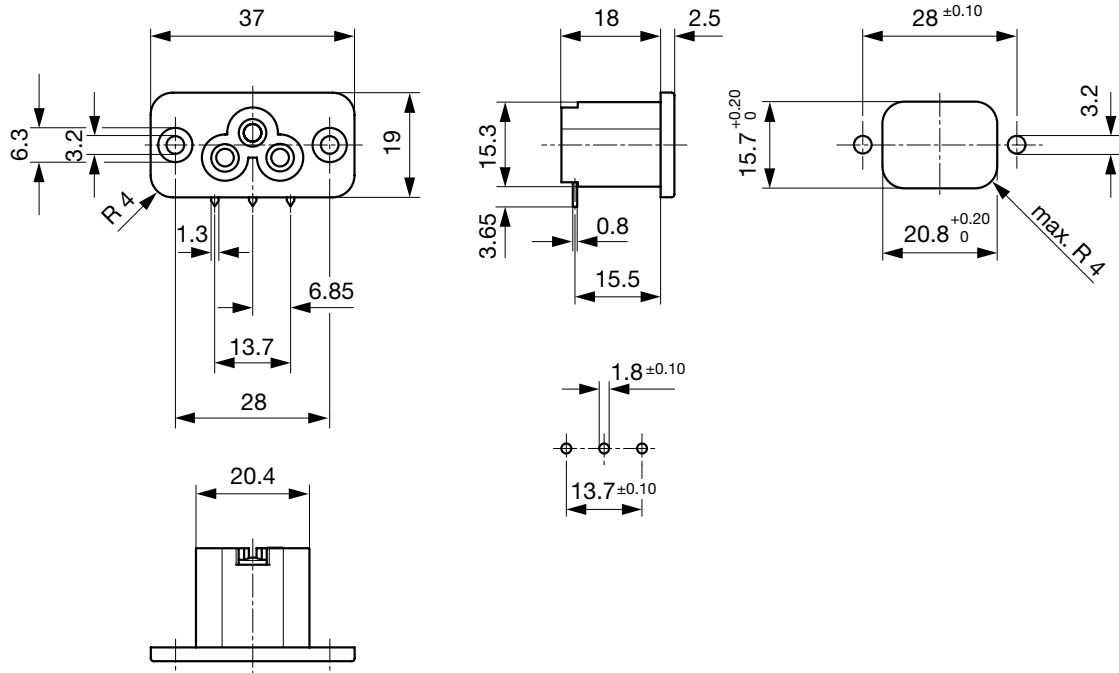


E: Solder terminals short: 19.9 mm

E: Solder terminals long: 25.9 mm

E: Quick connect terminals 2.8x0.8 mm: 23.6 mm

PCB



2	5	6	1	-	X	-	2	2	2	0	-	A	-	1	00
					1		2	3	4		5			6	7

Version		1
Appliance inlet C6	=	X

Terminal L		2
Solder, L= 4.8mm	=	2
Solder, L= 8.5mm	=	3
PCB	=	4
Quick Connect 2.8x0.8	=	7
Quick Connect 4.8x0.8	=	8

Terminal N		3
Solder, L= 4.8mm	=	2
Solder, L= 8.5mm	=	3
PCB	=	4
Quick Connect 2.8x0.8	=	7
Quick Connect 4.8x0.8	=	8

Terminal PE		4
Solder, L= 4.8mm	=	2
Solder, L= 8.5mm	=	3
PCB	=	4
Quick Connect 2.8x0.8	=	7
Quick Connect 4.8x0.8	=	8

Colour		5
Black	=	A

Mounting		6
Screw, Countersunk Hole	=	1

Customer spec. Types		7
Standard	=	00

All Variants

Terminals L / N	Terminal Ground	Config. Code	Order Number
short solder terminal (L = 4.8 mm)	short solder terminal (L = 4.8 mm)	2561-X-2220-A-100	6160.0001
Quick connect terminal short (2.8 x 0.8 mm)	Quick connect terminal short (2.8 x 0.8 mm)	2561-X-7770-A-100	6160.0080
PCB	PCB	2561-X-4440-A-100	6160.0082
long solder terminal (L = 8.5 mm)	long solder terminal (L = 8.5 mm)	2561-X-3330-A-100	6160.0086
Blade terminal (4.8 x 0.8 mm)	Blade terminal (4.8 x 0.8 mm)	2561-X-8880-A-100	6160.0088

The listed variants should be available from stock. Other versions on request www.schurter.com/contact

Most Popular.

Availability for all products can be searched real-time: <https://www.schurter.com/en/Stock-Check/Stock-Check-SCHURTER>

Packaging unit

50 Pcs