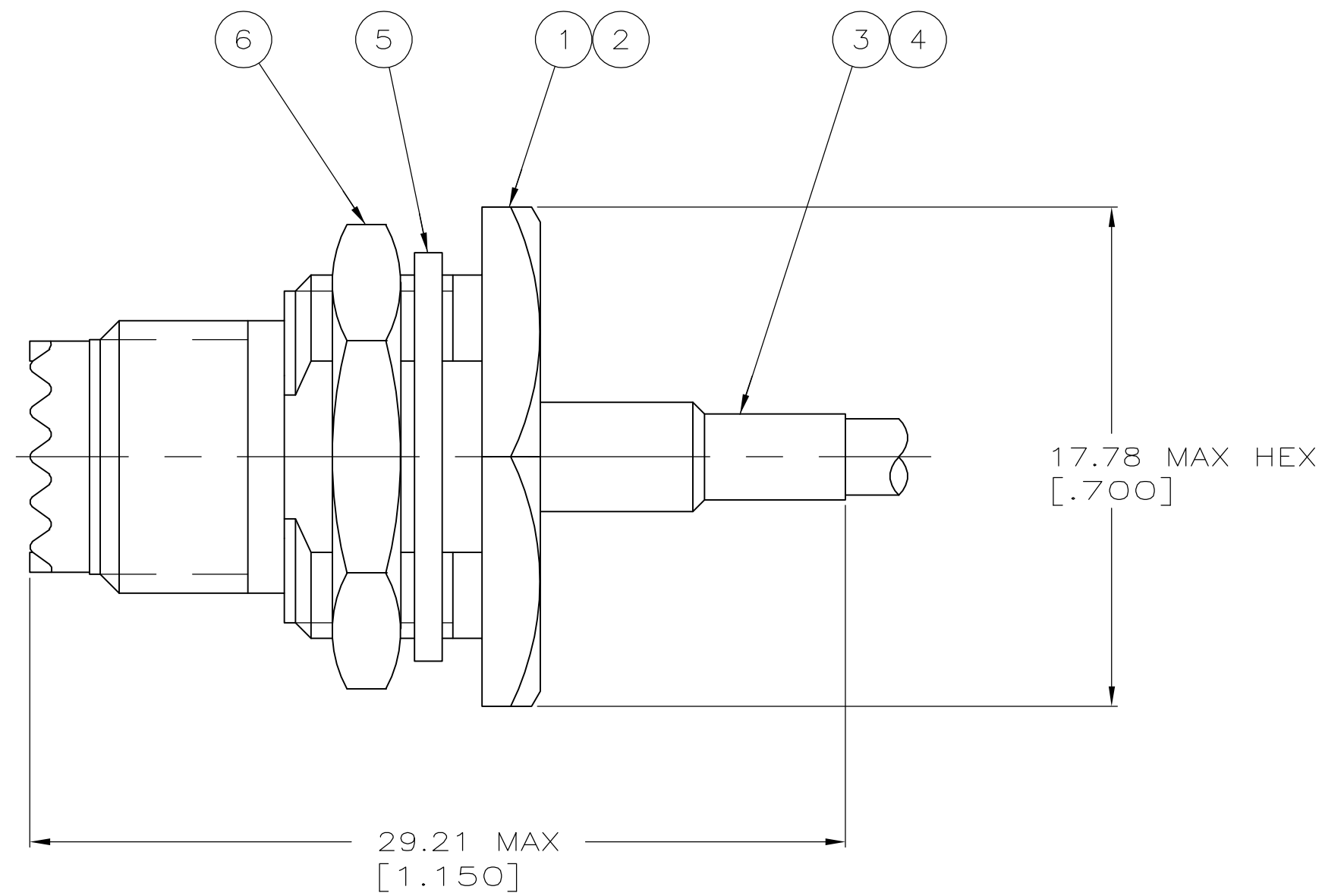
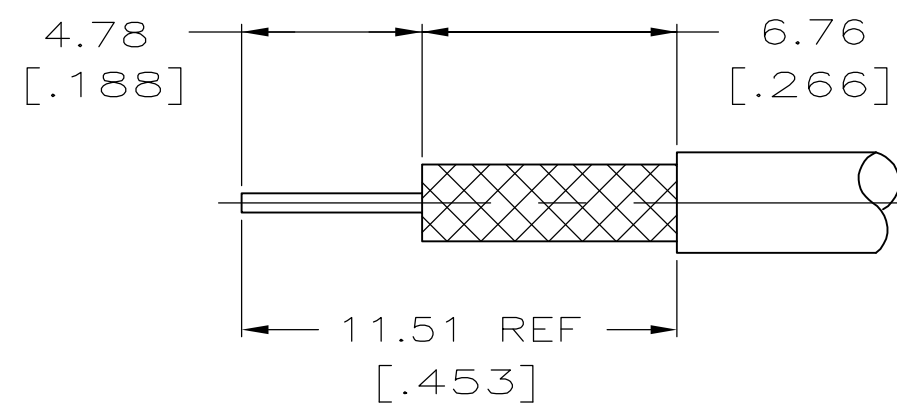


THIS DRAWING IS UNPUBLISHED. RELEASED FOR PUBLICATION
 © COPYRIGHT BY TYCO ELECTRONICS CORPORATION. ALL RIGHTS RESERVED.

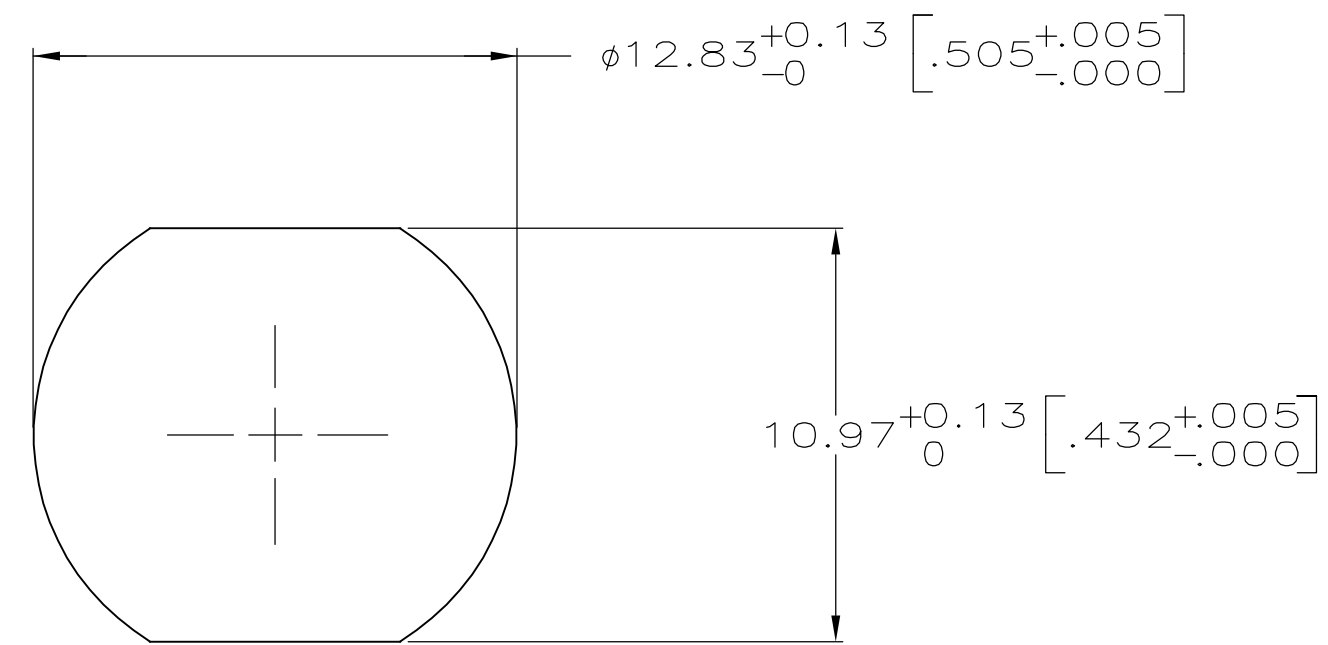
LOC	DIST	REVISIONS			
P	LTR	DESCRIPTION	DATE	DWN	APVD
AJ	00	0	RELEASED PER EC 0514-0187-05	20OCT05	BM GM



1. FOR USE WITH RG-188/U CABLE
2. USE CRIMPING TOOL 59983-1
3. SEE I.S. 2578



RECOMMENDED STRIP LENGTH



RECOMMENDED PANEL CUT OUT

1-329631-2	1-329632-2	21427-1	9-328666-0	9-228668-0	228666-1	5228665-2
⑥ JAM NUT QTY=1	⑤ LOCKWASHER QTY=1	④ BUSHING QTY=1	③ FERRULE QTY=1	② CONTACT QTY=1	① JACK ASS'Y QTY=1	PART NUMBER

THIS DRAWING IS A CONTROLLED DOCUMENT.

DIMENSIONS: mm [INCHES]	TOLERANCES UNLESS OTHERWISE SPECIFIED:	DWN B. MCMASTER 20OCT05	Tyco Electronics Corporation Harrisburg, PA 17105-3608
	0 PLC ± -	CHK G. MICHAEL 20OCT05	
	1 PLC ± -	APVD G. MICHAEL 20OCT05	
	2 PLC ± 0.41 [.016]	PRODUCT SPEC	
MATERIAL	FINISH	APPLICATION SPEC	NAME JACK, BULKHEAD, MINIATURE UHF
		WEIGHT	SIZE A2
		CUSTOMER DRAWING	CAGE CODE 00779
			DRAWING NO C=5228665
			RESTRICTED TO
			SCALE 5:1
			SHEET 1 of 1
			REV 0