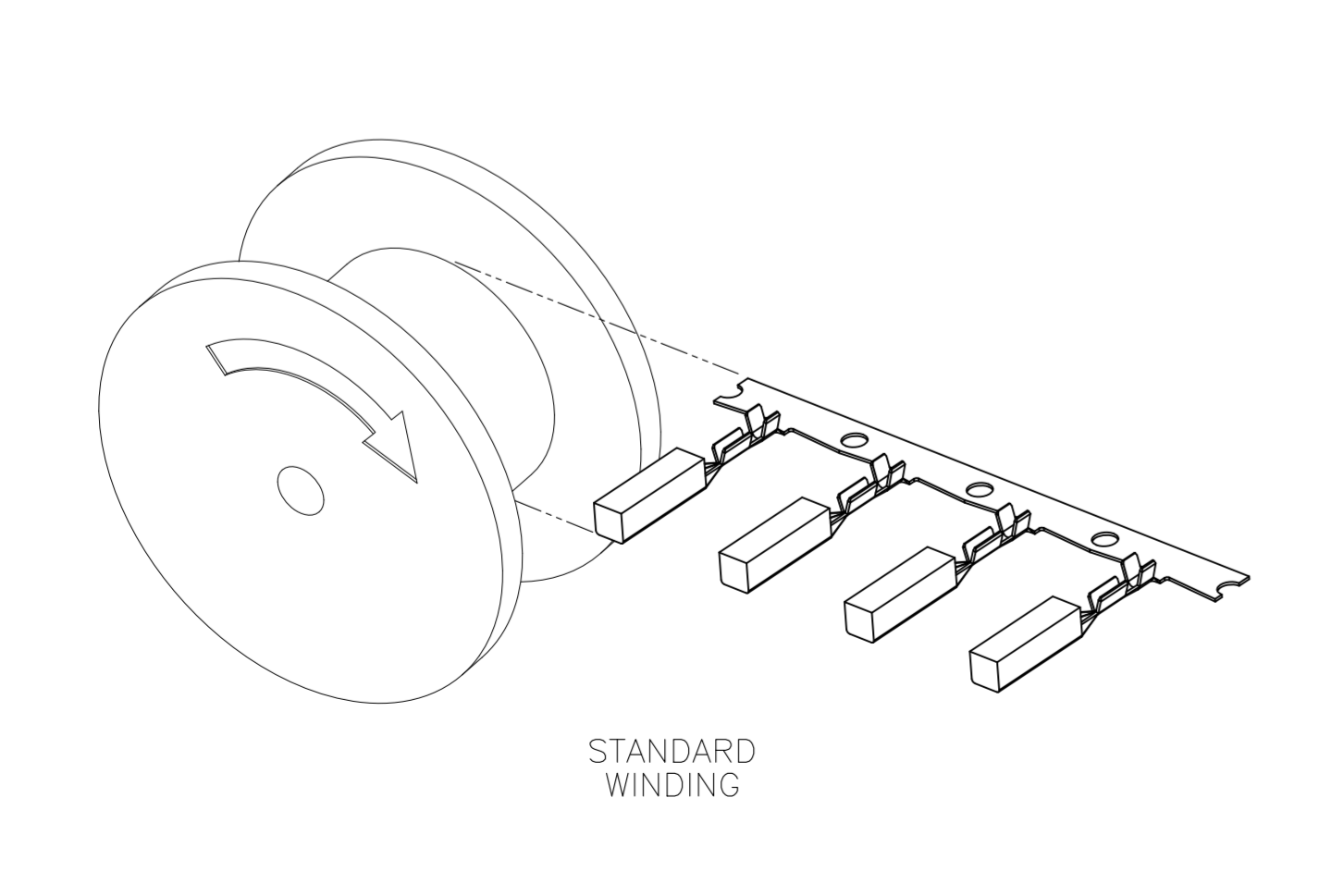
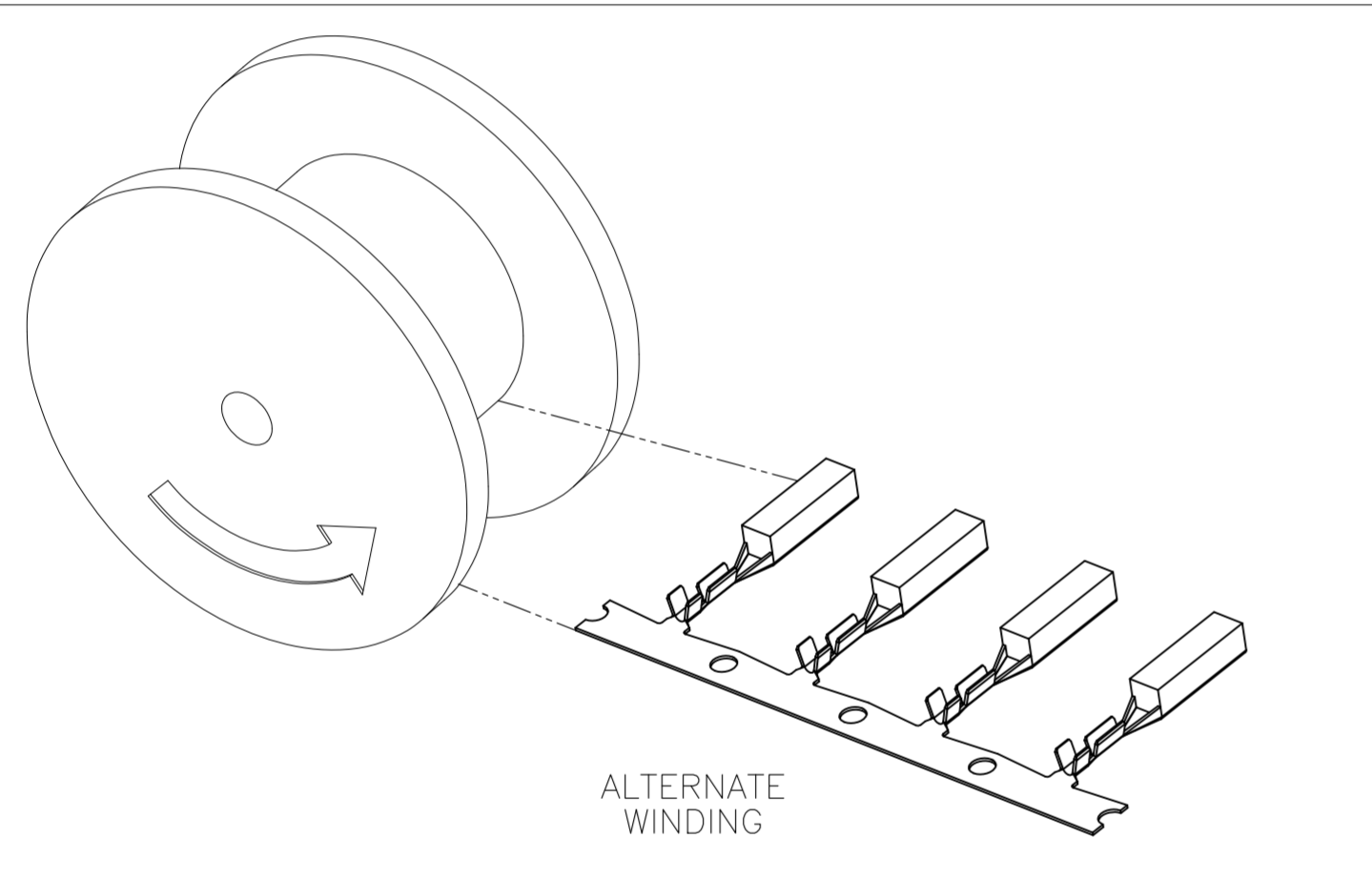
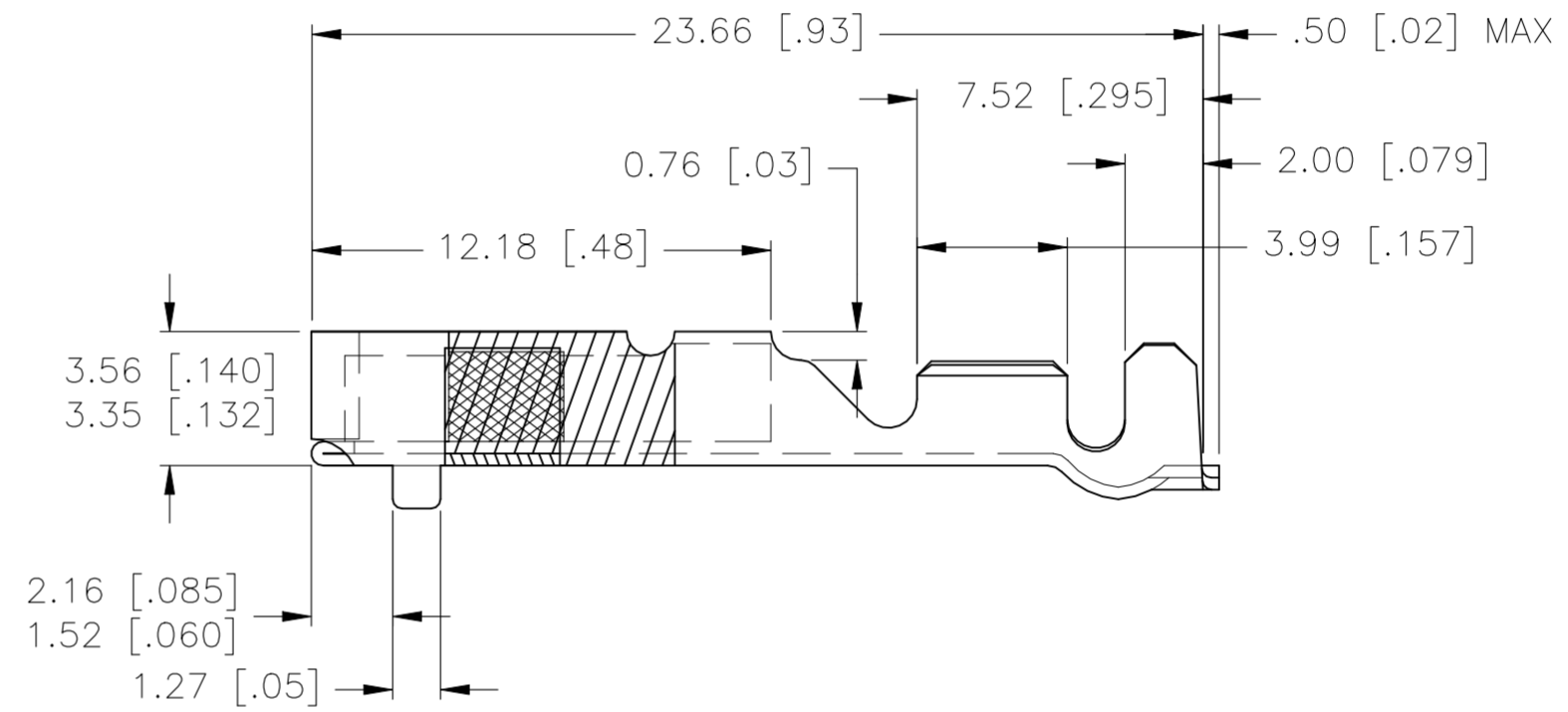
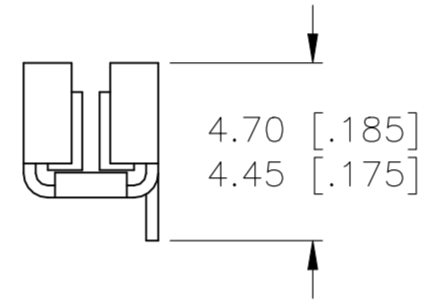
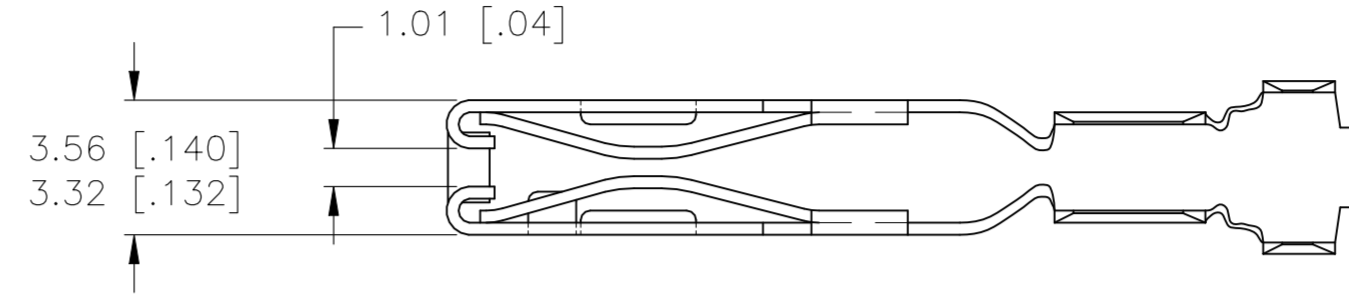


THIS DRAWING IS UNPUBLISHED. RELEASED FOR PUBLICATION
 © COPYRIGHT - By - ALL RIGHTS RESERVED.

LOC	DIST	REVISIONS			
P	LTR	DESCRIPTION	DATE	DWN	APVD
FX	00				
	D	REVISED PER ECO-15-007330	25AUG2015	DD	WW
	D1	REVISED PER ECO-20-012418	10SEP2020	AP	WW



SELECT GOLD	20, 18	1438232-5	18	-	
PRE-TIN	-	1438232-4	22	-	
PRE-TIN	16, 14	1438232-3	14	1-1438232-0	OBSOLETE
PRE-TIN	20, 18	1438232-2	18	-	
PRE-TIN	19	1438232-1	19	1-1438232-2	
PLATING	WIRE SIZE	TE PART No.	GRIP CODE	REWOUND GRIPS DOWN BOTTOM TO TOP	

THIS DRAWING IS A CONTROLLED DOCUMENT.

DWN: JR BUSSARD 09MAY2003
 CHK: DM REVAK 09MAY2003
 APVD: DM REVAK 09MAY2003

TE TE Connectivity

NAME: TERMINAL, MINI-BLADE, RECEPTACLE (FEMALE)

SIZE: A2 CAGE CODE: 00779 DRAWING NO: C=1438232 RESTRICTED TO: -

MATERIAL: SEE NOTES FINISH: SEE NOTES WEIGHT: - SCALE: 5:1 SHEET: 1 of 1 REV: D1

CUSTOMER DRAWING