

MS-216-7







MS-216-7

Normally Closed Reed Sensor

| Electrical Characteristics | | @ 25 °C |
|---------------------------------|--------|-----------------|
| Contact form | | B |
| Contact rating max. | W / VA | 5 |
| Switching voltage max. | VDC | 175 |
| | VAC | 120 |
| Switching current max. | A | 0.25 |
| Carry current max. | A | 1.5 |
| Breakdown voltage min. | VDC | 200 |
| Total resistance max. (initial) | mΩ | 200 |
| Insulation resistance min. | Ω | 10 ⁹ |

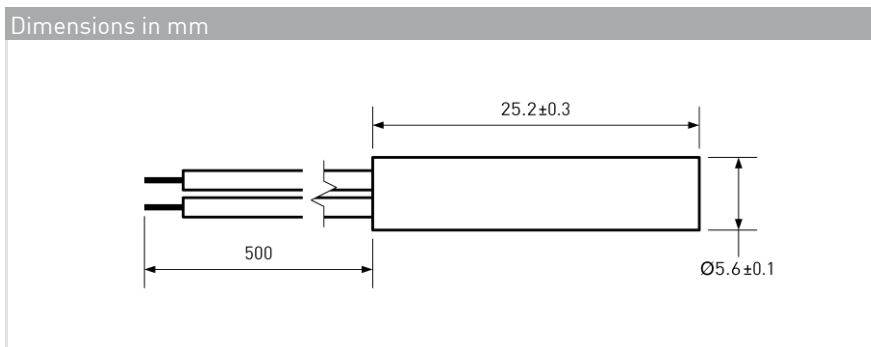
| Features |
|-------------------------------|
| ➤ Compact size |
| ➤ Mechanically protected |
| ➤ Non pole oriented actuation |
| ➤ Customized types available |

| Magnetical Characteristics (of unmodified Reed Switch) | | @ 25 °C |
|--|------|---------|
| Pull in range available | AT | 15 - 30 |
| Drop out min. | AT | 5 |
| Test coil | TC | 200 |
| Test equipment tolerance | ± AT | 2 |

| Approvals |
|---|
|  |
|  |
|  |
|  |

| Operating Characteristics (of unmodified Reed Switch) | | @ 25 °C |
|---|----|---------|
| Switching frequency max. | Hz | 100 |
| Resonant frequency typ. | Hz | 1100 |
| Operate time max. (incl. bounce) | ms | 0.7 |
| Release time max. | ms | 1 |

| Environmental Characteristics | | |
|-------------------------------|----|------------|
| Operating temperature | °C | -20 to +85 |
| Vibration (50-2000 Hz) | g | 30 |
| Shock (1/2 sin 11 ms) | g | 50 |



| Ordering Information | |
|----------------------------|-----------------|
| Packing Unit | 50 pcs |
| Weight per piece | 3.8 g |
| Weight per package | 195 g |
| Standard AT Ranges | |
| | 2 = 15 to 20 AT |
| | 3 = 20 to 25 AT |
| | 4 = 25 to 30 AT |
| Ordering Example | |
| MS-216-7-2 describes | |
| MS-216-7 with 15 to 20 AT. | |

MS-216-7



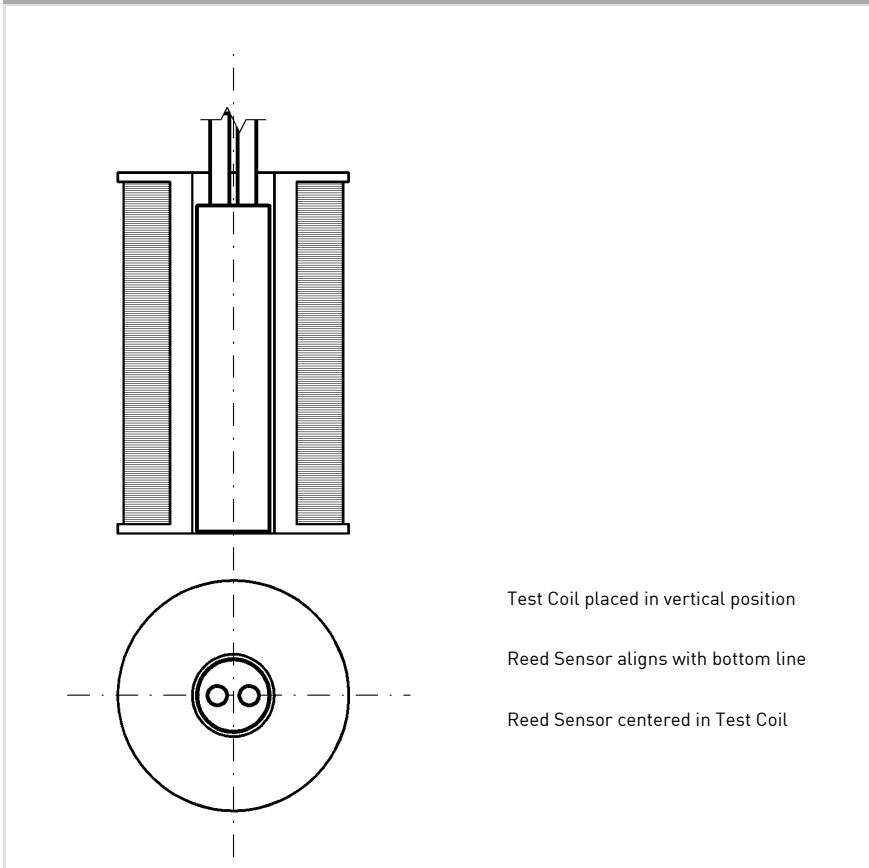
MS-216-7

Normally Closed Reed Sensor

Material Information

| | Material | Colour |
|------------------|--|--------|
| Housing | ABS | black |
| Cable | UL 1007/1569, AWG 24, 4 mm stripped and tinned | black |
| Potting compound | Epoxy | black |

Test Procedure of final Reed Sensor



Test Coil placed in vertical position

Reed Sensor aligns with bottom line

Reed Sensor centered in Test Coil

Test Parameters

| | |
|---------------|--------------|
| Test coil | TC-093 |
| Test programs | |
| AT range | Test program |
| 2 = | MS-216-7-2 |
| 3 = | MS-216-7-3 |
| 4 = | MS-216-7-4 |

Remarks

When mounted onto ferromagnetic parts switching distance of MS-216-7 may reduce. Electromagnetical influences and magnetic fields may change the switching behaviour of the sensor.

Product image serves as example only.