

# Power Relays

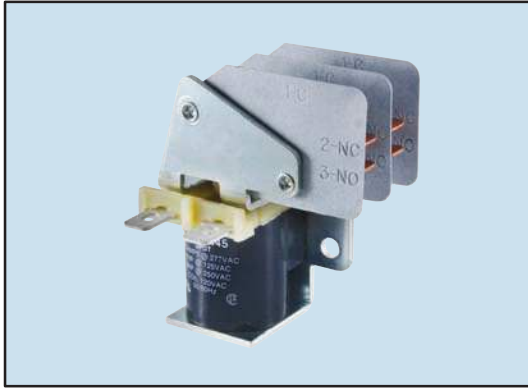
## RLY74/75 Series



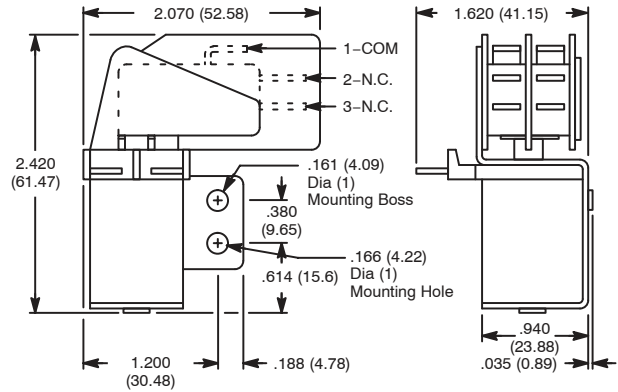
## Industrial SPDT and DPDT, 20 Amp Power Relays.

### Features

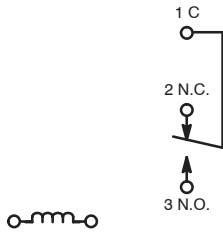
- Rated for Locked Rotor Applications
- Heavy Duty
- Multicontact
- .250" (6.35mm) Quick Connect Terminals



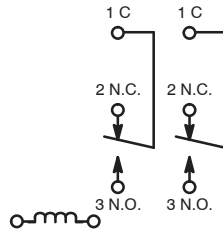
### D71



SPDT, 1 Form "C"



DPDT, 2 Form "C"



## Electrical Specifications

### Contact

**Rating:** 20 Amp @ 277 VAC  
 60 LRA, 12 FLA @ 125 VAC  
 48 LRA, 8 FLA @ 240 VAC  
**Pilot Duty:** 360 VAC @ 125/250 VAC  
**Contact Horsepower Rating:** 1 HP @ 125 VAC, 2 HP @ 250 VAC  
**Material:** Silver and silver-cadmium oxide

### Coil

**Coil Voltages:** See Chart  
**Resistance:** See Chart

### Operational Characteristics

**Must Operate Voltage**  
**AC Coil:** 85% of nominal voltage @ +25°C  
**DC Coil:** 75% of nominal voltage @ +25°C

### Insulation Characteristics

**Dielectric Strength**  
**Initial Breakdown Voltage:** 1560V RMS, 60Hz  
**Insulation Resistance:** Class B (130°C)

### Environmental Characteristics

**Operating:** -10°C to +65°C

### Life

**Mechanical:** 1 million operations/hour  
**Electrical:** 50,000 operations/hour (under rated load)

AC OPERATED						
NTE Type No.	Nom. Volt.	Contact Arr.	Coil Res. Ohms (Typ)	Approx. Nom. Power	Max. Contact Cur. @ 28VDC 277VAC	Diag No.
RLY7423	24VAC	SPDT	35	4 VA	20A	D71
RLY7425	120VAC	SPDT	800	4 VA	20A	D71
RLY7443	24VAC	DPDT	35	4 VA	20A	D71
RLY7446	240VAC	DPDT	3200	4 VA	20A	D71
DC OPERATED						
RLY7522	12VDC	SPDT	50	3.0W	20A	D71
RLY7523	24VDC	SPDT	200	3.0W	20A	D71
RLY7543	24VDC	DPDT	130	4.5W	20A	D71

Note 1. Relay is designed for operation with plunger either vertical or horizontal; however, the relay is **not** designed for operation in an upside-down position.