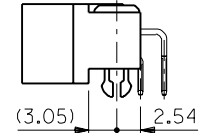
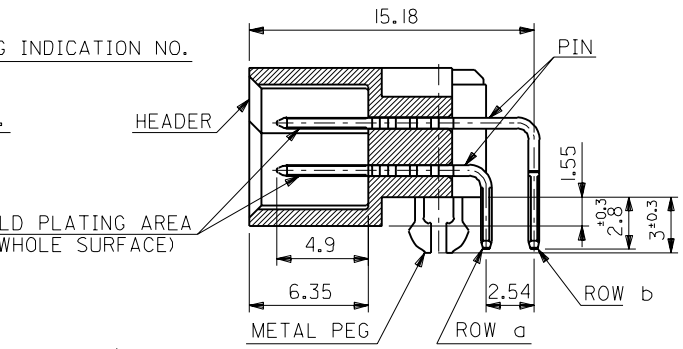
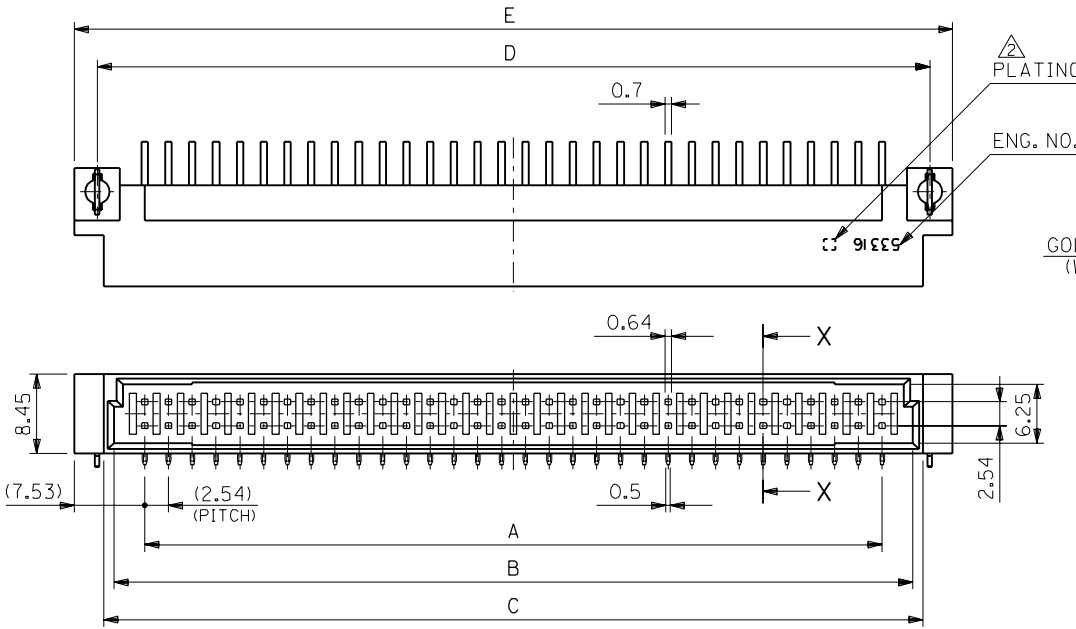


:MM DIMENSIONS IN METRIC DO NOT SCALE DRAWING

EDP NO.

ENG. NO. SD-53316-\*\*\*\*



SECT. X-X  
(SCALE: 4-1)

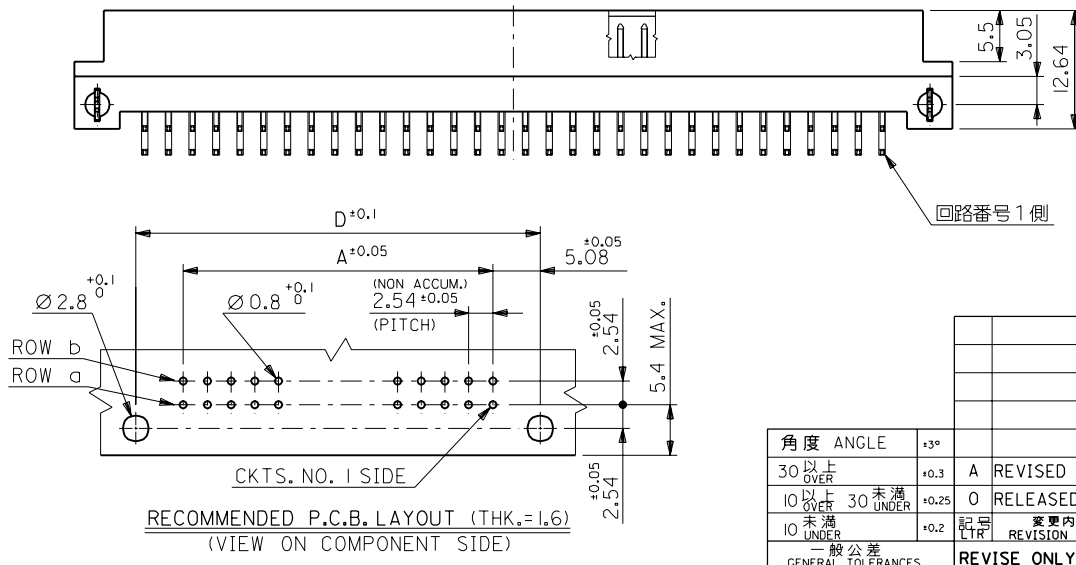
NOTES: 1. MATERIAL  
 HEADER: GLASS FILLED P.B.T. (WHITE), UL94V-0  
 PIN: BRASS (t=0.58)  
 METAL PEG: PHOSPHOR BRONZE (t=0.48),  
 TIN-LEAD OVER COPPER PLATING

2. PLATING & PLATING INDICATION NUMBER

ENG. NO.	CONTACT AREA GOLD [μmMIN.]	SOLDER AREA TIN-LEAD [μmMIN.]	UNDER PLATE NICKEL [μmMIN.]	PLATING INDICATION NUMBER
53316-***3	0.76		1.0	3
53316-***2	0.5		1.0	2
53316-***1	0.3			1
53316-***0	0.1			0

3. MATE WITH: 52299, 52385, 52479, 52482 SERIES.

93.80	88.90	87.50	85.30	78.74	53316-064*	64
76.02	71.12	69.72	67.52	60.96	↑ -050*	50
68.40	63.50	62.10	59.90	53.34	↑ -044*	44
53.16	48.26	46.86	44.66	38.10	↑ -032*	32
37.92	33.02	31.62	29.42	22.86	↓ -020*	20
32.84	27.94	26.54	24.34	17.78	53316-016*	16
E	D	C	B	A	ENG. NO.	NO. OF CKTS.



角度 ANGLE	±3°				
30以上 OVER	+0.3	A	REVISED (J10145)	H.H.	'91/2/22
10以上 30未滿 UNDER	+0.25	O	RELEASED (J00922)	S.M. H.H.	'90/8/27
10未滿 UNDER	+0.2	記号 LTR	変更内容 REVISION RECORD	DR. CHK.	日付 DATE
一般公差 GENERAL TOLERANCES		REVISE ONLY ON CAD SYSTEM			

材料 MATERIAL	SEE NOTES
仕上げ FINISH	SEE NOTES
適用電線範囲 WIRE RANGE	—H—
被覆外径 INS. RANGE	—H—
DRAWN BY '90/8/27 S.MOCHIZUKI	CHK'D BY
APP'D BY	尺度 SCALE 2 - 1

**molex** MOLEX-JAPAN CO.,LTD.  
 日本モレックス株式会社

EDP. NO.

ENG. NO. SD-53316-\*\*\*\*

TITLE 名称 2.54 B TO B CONN. RIGHT ANGLE HEADER ASS'Y WITH METAL PEG (DUAL ROW)

REV A

THIS DRAWING CONTAINS INFORMATION THAT IS PROPRIETARY TO MOLEX(JAPAN) AND SHOULD NOT BE USED WITHOUT WRITTEN PERMISSION  
 本図面は日本モレックス(株)の所有する情報を含むもので 当社の許可なく複製を禁止する。