

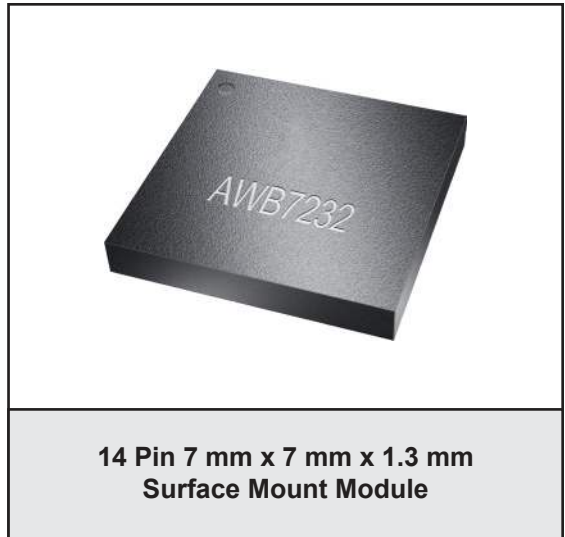


#### FEATURES

- InGaP HBT Technology
- -47 dBc ACPR @ ±10 MHz, +27 dBm
- 29 dB Gain
- High Efficiency
- Low Transistor Junction Temperature
- Matched for a 50 Ω System
- Low Profile Miniature Surface Mount Package; RoHS Compliant
- Multi-Carrier Capability

#### APPLICATIONS

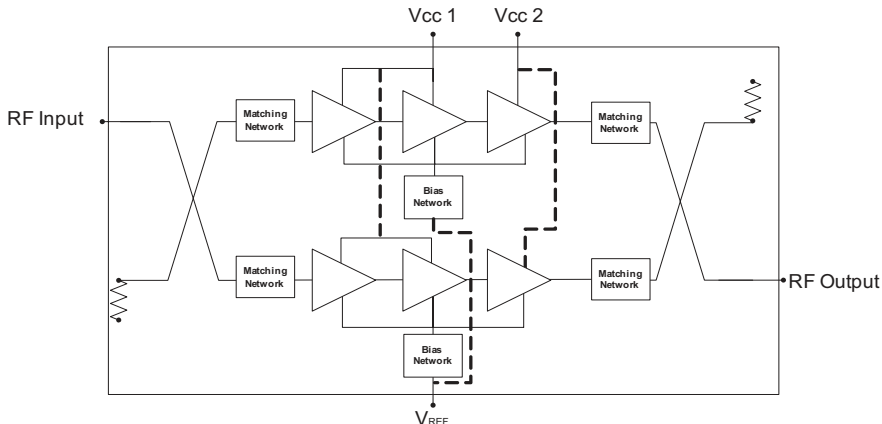
- LTE, WCDMA and HSDPA Air Interfaces
- FDD and TDD Systems
- Picocell, Femtocell, Home Nodes
- Customer Premises Equipment (CPE)
- Data Cards and Terminals



#### PRODUCT DESCRIPTION

The AWB7232 is a fully matched, Multi-Chip-Module (MCM) designed for picocell, femtocell, and customer premises equipment (CPE) applications. Its high linearity and efficiency meet the extremely demanding needs of small cell infrastructure architectures. Designed for LTE, WCDMA and HSDPA air interfaces operating in the 2.3 GHz to 2.4 GHz band, the AWB7232 delivers up to +27 dBm of LTE (E-TM1.1) power with an ACPR of -47 dBc. It operates from

a convenient +4.5 V supply and provides 29 dB of gain. The device is manufactured using an advanced InGaP HBT MMIC technology offering state-of-the-art reliability, temperature stability, and ruggedness. The self-contained 7 mm x 7 mm x 1.3 mm surface mount package incorporates RF matching networks optimized for output power, efficiency, and linearity in a 50 Ω system.



**Figure 1: Block Diagram**

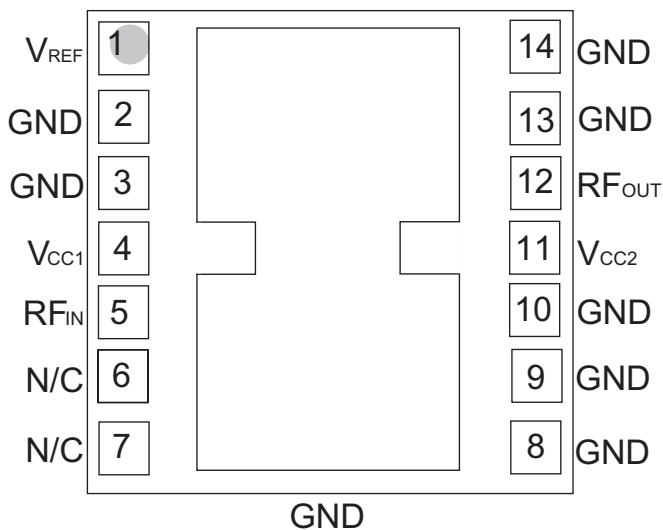


Figure 2: Pinout (X-ray Top View)

Table 1: Pin Description

PIN	NAME	DESCRIPTION
1	V <sub>REF</sub>	Reference Voltage
2	GND	Ground
3	GND	Ground
4	V <sub>CC1</sub>	Supply Voltage
5	RF <sub>IN</sub>	RF Input
6	N/C	No Connection
7	N/C	No Connection
8	GND	Ground
9	GND	Ground
10	GND	Ground
11	V <sub>CC2</sub>	Supply Voltage
12	RF <sub>OUT</sub>	RF Output
13	GND	Ground
14	GND	Ground

**ELECTRICAL CHARACTERISTICS**

**Table 2: Absolute Minimum and Maximum Ratings**

PARAMETER	MIN	MAX	UNIT
Supply Voltage (V <sub>CC</sub> )	0	+5	V
Reference Voltage (V <sub>REF</sub> )	0	+3.5	V
RF Output Power (P <sub>OUT</sub> )	-	+30	dBm, modulated
RF Input Power (P <sub>IN</sub> )	-	+10	dBm, CW
ESD Rating Human Body Model <sup>(1)</sup> Charged Device Model <sup>(2)</sup>	Class 1C Class IV	- -	
MSL Rating <sup>(3)</sup>	4	-	
Junction Temperature (T <sub>J</sub> )	-	+150	°C
Storage Temperature (T <sub>STG</sub> )	-40	+150	°C

Functional operation is not implied under these conditions. Exceeding any one or a combination of the Absolute Maximum Rating Conditions may cause permanent damage to the device. Exposure to absolute ratings for extended periods of time may adversely affect reliability.

- Notes:  
 (1) JEDEC JS-001-2010.  
 (2) JEDEC JESD22-C101D.  
 (3) 260 °C peak reflow.

**Table 3: Operating Ranges**

PARAMETER	MIN	TYP	MAX	UNIT	COMMENTS
Operating Frequency (f)	2300	-	2400	MHz	
Supply Voltage (V <sub>CC</sub> )	+3.6	+4.5	+4.65	V	
Reference Voltage (V <sub>REF</sub> )	+2.80 0	+2.85 -	+2.90 +0.5	V	PA "on" PA "shut down"
RF Output Power (P <sub>OUT</sub> ) <sup>(1)</sup>	-	+27	-	dBm	
Case Temperature (T <sub>C</sub> ) <sup>(2)</sup>	-40	-	+85	°C	

The device may be operated safely over these conditions; however, parametric performance is guaranteed only over the conditions defined in the electrical specifications.

- Notes:  
 (1) Typ RF Output Power is used during production test.  
 (2) Case Temperature references the board temperature at the ground paddle on the backside of the package.

**Table 4: Electrical Specifications**  
 (T<sub>C</sub> = +25 °C, V<sub>CC</sub> = +4.5 V, V<sub>REF</sub> = +2.85 V, 50 Ω system)

PARAMETER	MIN	TYP	MAX	UNIT	COMMENTS
Gain <sup>(2)</sup>	26.5	29	33	dB	
ACPR <sup>(1), (2), (3)</sup> @ 10 MHz @ 20 MHz	- -	-47 -57	-45 -54	dBc	
Power-Added Efficiency <sup>(1), (2), (3)</sup>	12	15	-	%	
Thermal Resistance (R <sub>JC</sub> ) <sup>(4)</sup>	-	11.2	-	°C/W	Junction to Case
Supply Current <sup>(1), (2), (3)</sup>	-	740	925	mA	total through V <sub>CC</sub> pins
Quiescent Current (I <sub>q</sub> )	-	250	300	mA	
Reference Current	10	14	19	mA	through V <sub>REF</sub> pin
Leakage Current	-	3	10	μA	V <sub>CC</sub> = +4.65 V, V <sub>REF</sub> = 0 V
Harmonics 2f <sub>o</sub> , 4f <sub>o</sub> 3f <sub>o</sub>	- -	-50 -45	-45 -40	dBc	
Input Return Loss	15	18	-	dB	
Output Return Loss	15	18	-	dB	
P1dB	-	+34.5	-	dBm	CW Tone
RF Switching Time <sup>(5)</sup> Rise Time (PA “off” to “on”) Fall Time (PA “on” to “off”)	- -	- -	12 4	μs	V <sub>CC</sub> = +4.5 V, V <sub>REF</sub> switched between 0 V and +2.85 V
Spurious Output Level (all spurious outputs)	-	-	-60	dBc	P <sub>OUT</sub> ≤ +27 dBm In-band load VSWR < 5:1 Out-of-band load VSWR < 10:1 Applies over all voltage and temperature operating ranges
Load mismatch stress with no permanent degradation or failure	8:1	-	-	VSWR	V <sub>CC</sub> = +4.5 V, P <sub>OUT</sub> = +27 dBm Applies over full operating temperature range

## Notes:

(1) Measured at 2350 MHz.

(2) P<sub>OUT</sub> = +27 dBm.

(3) E-TM1.1 LTE 10 MHz BW.

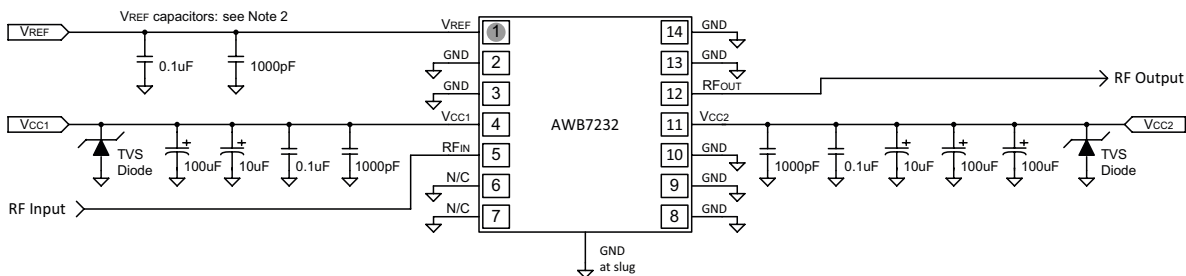
(4) Use only V<sub>CC2</sub> (pin 11) current when calculating device junction temperature.(5) Rise Time defined from time at which V<sub>REF</sub> is switched from 0 V to +2.85 V, to time at which the RF output power achieves 90% of the average steady-state “on” level; Fall Time defined from time at which V<sub>REF</sub> is switched from +2.85 V to 0 V, to time at which the RF output power decreases to 10% of the average steady-state “on” level.

## APPLICATION INFORMATION

To ensure proper performance, refer to all related Application Notes.

### Shutdown Mode

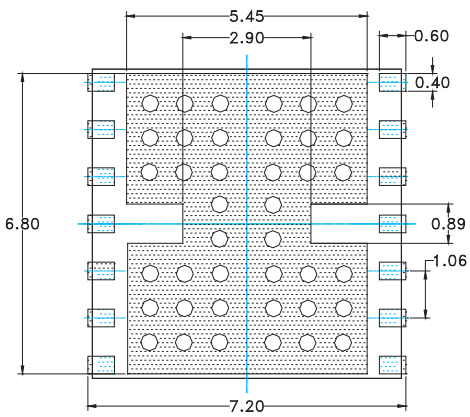
The power amplifier may be placed in a shutdown mode by applying logic low levels (see Operating Ranges table) to the  $V_{REF}$  voltage.



#### Notes:

1. Applications that have large supply voltage transients may benefit from the use of TVS diodes. For such applications, recommended TVS diodes are SM05T1G or SMJ5.0A.
2. To achieve the RF Switching Time specifications listed in Table 4, the maximum recommended capacitance on the  $V_{REF}$  line is  $0.01\mu\text{F}$ . The noise on the  $V_{REF}$  line should be kept as low as possible to minimize required capacitance.

**Figure 3: Application Circuit Schematic**



NOTES:

- (1) UNLESS SPECIFIED DIMENSIONS ARE SYMMETRICAL ABOUT CENTER LINES SHOWN.
- (2) DIMENSIONS IN MILLIMETERS.
- (3) VIAS SHOWN IN PCB METAL VIEW ARE FOR REFERENCE ONLY. NUMBER & SIZE OF THERMAL VIAS REQUIRED DEPENDENT ON HEAT DISSIPATION REQUIREMENT AND THE PCB PROCESS CAPABILITY.

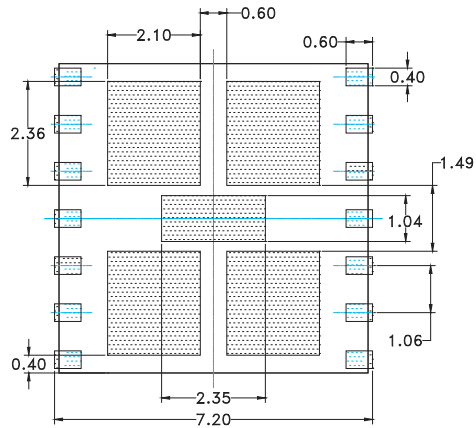
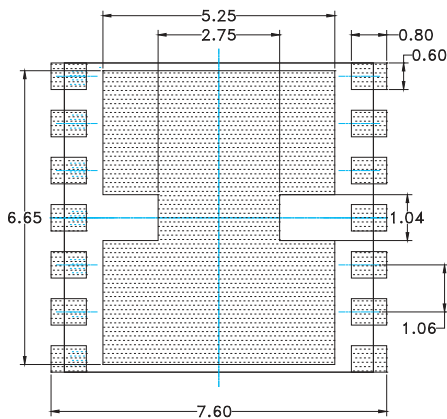
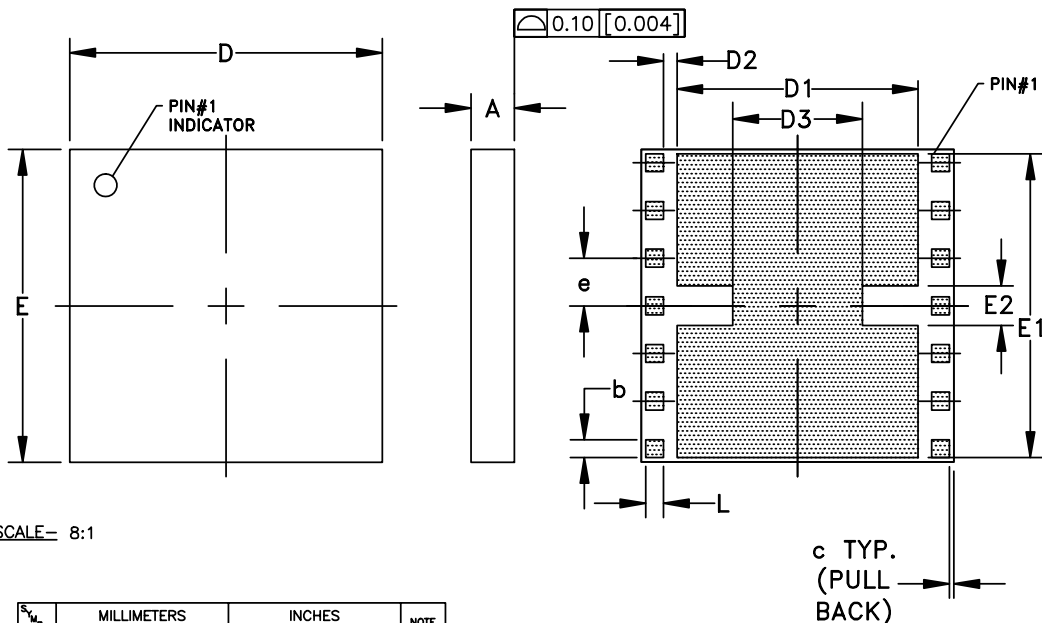


Figure 4: PCB Footprint

PACKAGE OUTLINE



SCALE= 8:1

	MILLIMETERS			INCHES			NOTE
	MIN.	NOM.	MAX.	MIN.	NOM.	MAX.	
A	1.17	1.27	1.37	0.046	0.05	0.054	—
b	0.375	0.400	0.425	0.0148	0.0157	0.0167	14X
c	—	0.10	—	—	0.004	—	—
D	6.90	7.00	7.10	0.272	0.276	0.280	—
D1	—	5.40	—	—	0.213	—	—
D2	—	0.30	—	—	0.0118	—	—
D3	—	2.90	—	—	0.114	—	—
E	6.90	7.00	7.10	0.272	0.276	0.280	—
E1	—	6.80	—	—	0.268	—	—
E2	—	0.89	—	—	0.035	—	—
e	—	1.067	—	—	0.0420	—	6X
L	0.375	0.400	0.425	0.0148	0.0157	0.0167	14X

NOTES:

1. CONTROLLING DIMENSIONS: MILLIMETERS
2. UNLESS SPECIFIED TOLERANCE=±0.076[0.003].
3. PADS (INCLUDING CENTER) SHOWN UNIFORM SIZE FOR REFERENCE ONLY. ACTUAL PAD SIZE AND LOCATION WILL VARY WITHIN MIN. AND MAX. DIMENSIONS ACCORDING TO SPECIFIC LAMINATE DESIGN.

Figure 5: Package Outline - 14 Pin 7 mm x 7 mm x 1.3 mm Surface Mount Module

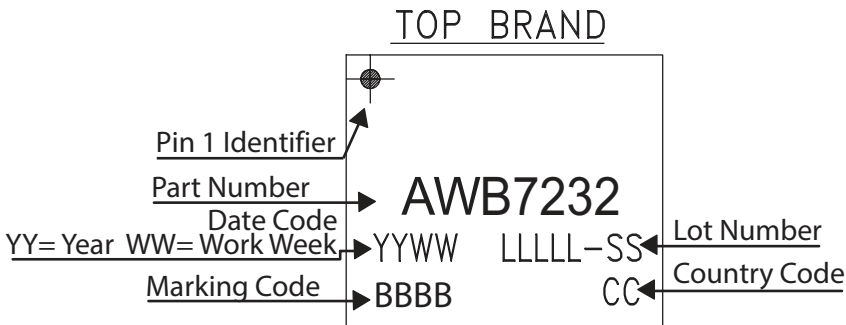


Figure 6: Branding Specification

COMPONENT PACKAGING

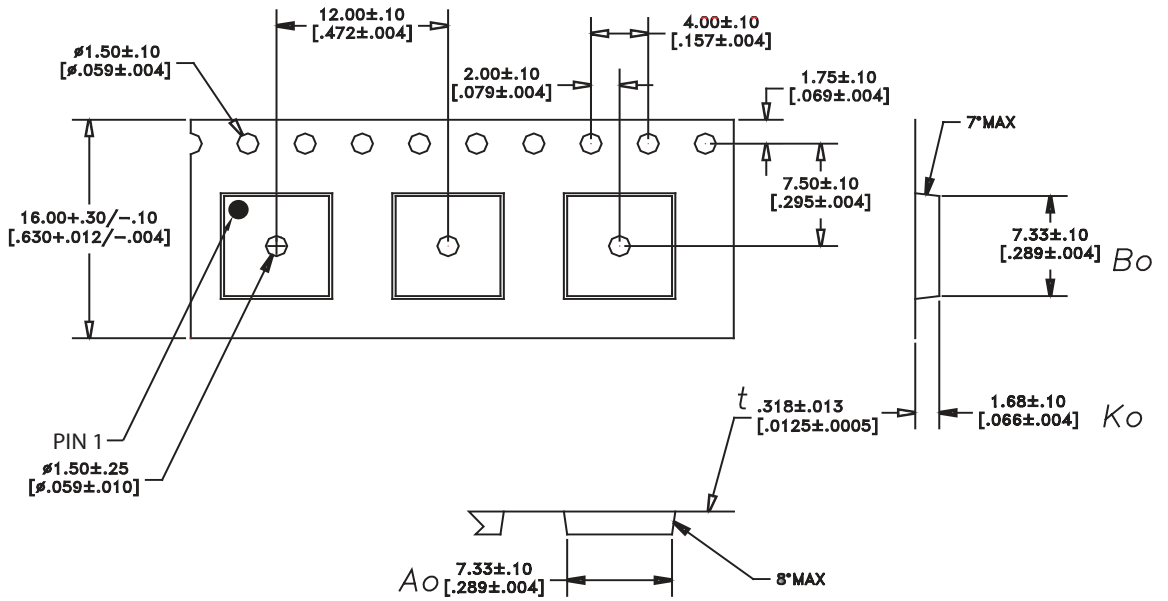


Figure 7: Tape & Reel Packaging

Table 5: Tape & Reel Dimensions

PACKAGE TYPE	TAPE WIDTH	POCKET PITCH	REEL CAPACITY	MAX REEL DIA
7 mm x 7 mm x 1.3 mm	16 mm	12 mm	2500	13"



**ORDERING INFORMATION**

<b>ORDER NUMBER</b>	<b>TEMPERATURE RANGE</b>	<b>PACKAGE DESCRIPTION</b>	<b>COMPONENT PACKAGING</b>
AWB7232P7	-40 °C to +85 °C	RoHS-compliant 14 Pin 7 mm x 7 mm x 1.3 mm Surface Mount Module	Loose in Bag
AWB7232P8	-40 °C to +85 °C	RoHS-compliant 14 Pin 7 mm x 7 mm x 1.3 mm Surface Mount Module	Tape and Reel, 2500 pieces per Reel
AWB7232P9	-40 °C to +85 °C	RoHS-compliant 14 Pin 7 mm x 7 mm x 1.3 mm Surface Mount Module	Partial Reel

---

Copyright © 2016 Skyworks Solutions, Inc. All Rights Reserved.

Information in this document is provided in connection with Skyworks Solutions, Inc. ("Skyworks") products or services. These materials, including the information contained herein, are provided by Skyworks as a service to its customers and may be used for informational purposes only by the customer. Skyworks assumes no responsibility for errors or omissions in these materials or the information contained herein. Skyworks may change its documentation, products, services, specifications or product descriptions at any time, without notice. Skyworks makes no commitment to update the materials or information and shall have no responsibility whatsoever for conflicts, incompatibilities, or other difficulties arising from any future changes.

No license, whether express, implied, by estoppel or otherwise, is granted to any intellectual property rights by this document. Skyworks assumes no liability for any materials, products or information provided hereunder, including the sale, distribution, reproduction or use of Skyworks products, information or materials, except as may be provided in Skyworks Terms and Conditions of Sale.

THE MATERIALS, PRODUCTS AND INFORMATION ARE PROVIDED "AS IS" WITHOUT WARRANTY OF ANY KIND, WHETHER EXPRESS, IMPLIED, STATUTORY, OR OTHERWISE, INCLUDING FITNESS FOR A PARTICULAR PURPOSE OR USE, MERCHANTABILITY, PERFORMANCE, QUALITY OR NON-INFRINGEMENT OF ANY INTELLECTUAL PROPERTY RIGHT; ALL SUCH WARRANTIES ARE HEREBY EXPRESSLY DISCLAIMED. SKYWORKS DOES NOT WARRANT THE ACCURACY OR COMPLETENESS OF THE INFORMATION, TEXT, GRAPHICS OR OTHER ITEMS CONTAINED WITHIN THESE MATERIALS. SKYWORKS SHALL NOT BE LIABLE FOR ANY DAMAGES, INCLUDING BUT NOT LIMITED TO ANY SPECIAL, INDIRECT, INCIDENTAL, STATUTORY, OR CONSEQUENTIAL DAMAGES, INCLUDING WITHOUT LIMITATION, LOST REVENUES OR LOST PROFITS THAT MAY RESULT FROM THE USE OF THE MATERIALS OR INFORMATION, WHETHER OR NOT THE RECIPIENT OF MATERIALS HAS BEEN ADVISED OF THE POSSIBILITY OF SUCH DAMAGE.

Skyworks products are not intended for use in medical, lifesaving or life-sustaining applications, or other equipment in which the failure of the Skyworks products could lead to personal injury, death, physical or environmental damage. Skyworks customers using or selling Skyworks products for use in such applications do so at their own risk and agree to fully indemnify Skyworks for any damages resulting from such improper use or sale.

Customers are responsible for their products and applications using Skyworks products, which may deviate from published specifications as a result of design defects, errors, or operation of products outside of published parameters or design specifications.

Customers should include design and operating safeguards to minimize these and other risks. Skyworks assumes no liability for applications assistance, customer product design, or damage to any equipment resulting from the use of Skyworks products outside of stated published specifications or parameters.

Skyworks and the Skyworks symbol are trademarks or registered trademarks of Skyworks Solutions, Inc., in the United States and other countries. Third-party brands and names are for identification purposes only, and are the property of their respective owners. Additional information, including relevant terms and conditions, posted at [www.skyworksinc.com](http://www.skyworksinc.com), are incorporated by reference.

**Skyworks Solutions, Inc.**

Phone [781] 376-3000 • Fax [781] 376-3100 • [sales@skyworksinc.com](mailto:sales@skyworksinc.com) • [www.skyworksinc.com](http://www.skyworksinc.com)

Skyworks Proprietary and Confidential information • Products and Product Information are Subject to Change Without Notice