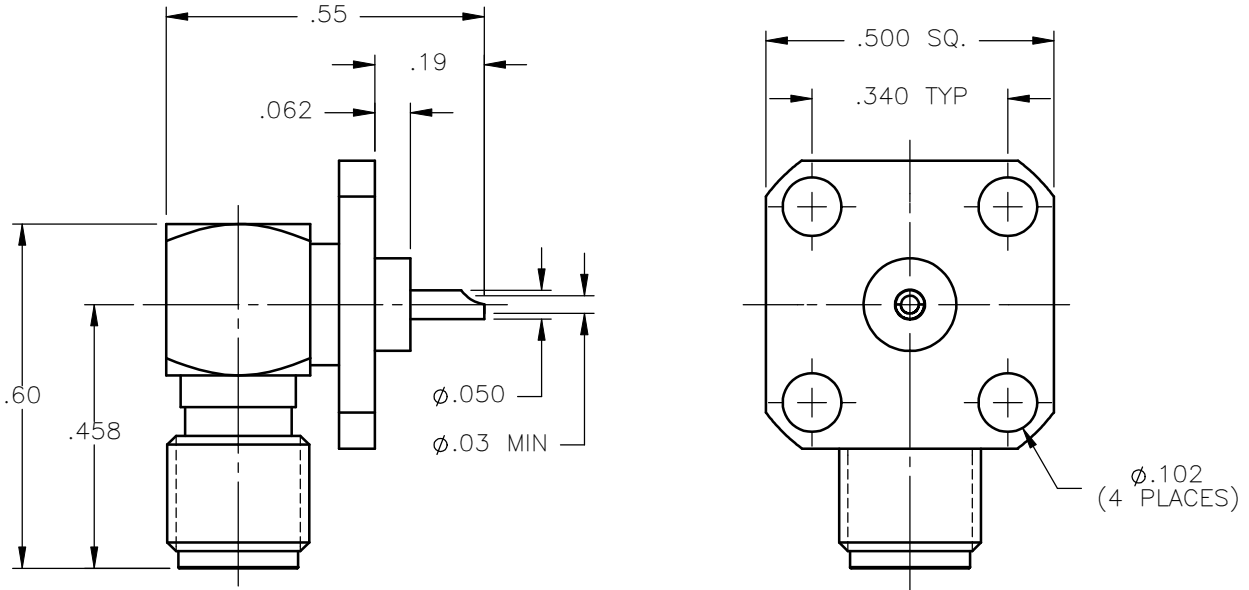


REVISIONS			
REV.	DESCRIPTION	DATE	APPROVED
A	INITIAL RELEASE	12/17/10	A.D.M.




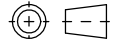
NOTES:

MATERIALS:

1. BODIES = STAINLESS STEEL PER ASTM A582, ALLOY 303, CONDITION "A".
2. INTERFACE CONTACT = BERYLLIUM COPPER PER ASTM B196, ALLOY C17300, TEMPER TD04.
3. SOLDER POT CONTACT = BRASS PER ASTM B16, ALLOY C36000, TEMPER H02.
4. INSULATORS = VIRGIN WHITE TEFLON PER ASTM D1710, GRADE 1, TYPE I, CLASS "B".

FINISHES:

1. BODIES = GOLD PLATE PER MIL-G-45204, TYPE II, CLASS 0, GRADE C, OVER .000050 TO .00010 STRESS FREE NICKEL PER QQ-N-290.
2. CONTACTS = GOLD PLATE PER MIL-G-45204, TYPE II, CLASS 1, GRADE C, OVER .00010 TO .00020 STRESS FREE SULFAMATE NICKEL PER QQ-N-290.
3. CAP = GOLD PLATE PER MIL-G-45204, TYPE II, CLASS 0, GRADE C, OVER .00010 TO .00020 COPPER STRIKE PER MIL-C-14550.

UNLESS OTHERWISE SPECIFIED DIMENSIONS ARE IN INCHES TOLERANCES ON	DWN: A.D.M.	DATE: 12/17/10	 <p>Property of Radiall This document cannot be reproduced or communicated to a third party without prior written permission of RADIALL.</p>		
	CHKD: D.N.	DATE: 12/17/10			
	APVD: J.M.	DATE: 12/17/10			
DECIMAL	ANGLE	SMA RIGHT ANGLE JACK FOUR HOLE FLANGE MOUNT SOLDER POT RECEPTACLE			
REFERENCE:	MATERIALS & FINISHES: SEE NOTES	SIZE: A	FSCM NO.: 19505	DWG NO.: 9425-1513-000	REV: A
ORIGINATED: A.D.M. DATE: 12/17/10		SCALE: 3:1	THIRD ANGLE PROJECTION 		SHEET 1 OF 1

9425-1513-000