

**MATERIALS & SPECIFICATIONS**

PART NO.	A 29050-051	REV	ECO	DATE	APP
		B	96328	11-20-09	TLM

**HOUSING:**  
ALUMINUM 6061-T6, NICKEL PLATE PER  
AMS-C-26074

**INSULATOR:**  
LIQUID CRYSTAL POLYMER (LCP) PER  
ASTM D5138

**CONTACT:**  
COPPER ALLOY PER MIL-DTL-32139,  
GOLD PLATED PER ASTM B488, (HARD  
GOLD) TYPE II CODE C, CLASS 1.27

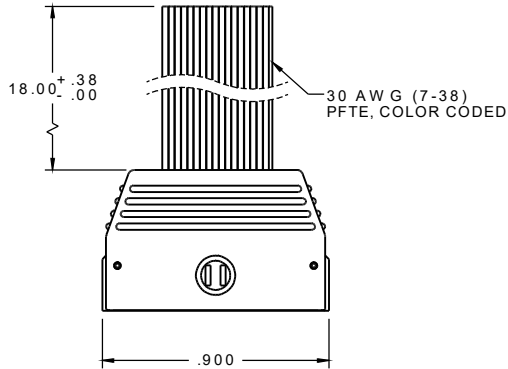
**WIRE:**  
NEMA HP3 TYPE ET, COLOR CODED IAW  
MIL-STD-681, SYSTEM 1, USING TEN  
SOLID REPEATING COLORS

**HARDWARE:**  
17-7 STAINLESS STEEL

**CURRENT RATING:**  
1 AMP MAX PER MIL-DTL-32139

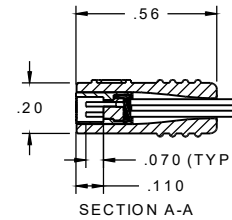
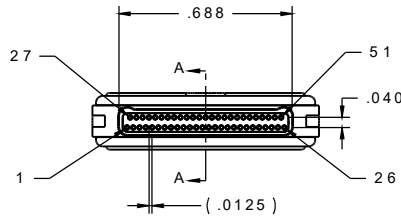
**CONTACT RESISTANCE:**  
71 MILLIOHM MAX (71mV DROP MAX) @  
1.0 AMPS PER MIL-DTL-32139

**PERFORMANCE:**  
PRODUCT FAMILY TESTED TO AND  
PASSED THE PERFORMANCE  
SPECIFICATIONS OF TABLE VIII OF MIL-  
DTL-32139



SOCKET #	COLOR
1, 11, 21, 31, 41, 51	BLACK
2, 12, 22, 32, 42	BROWN
3, 13, 23, 33, 43	RED
4, 14, 24, 34, 44	ORANGE
5, 15, 25, 35, 45	YELLOW
6, 16, 26, 36, 46	GREEN
7, 17, 27, 37, 47	BLUE
8, 18, 28, 38, 48	VIOLET
9, 19, 29, 39, 49	GRAY
10, 20, 30, 40, 50	WHITE

**INTERNAL USE ONLY**  
**USE MFG LOADING**  
**PROCEDURE A29000-051**



ACTUAL SIZE  
EXCLUDING WIRE LENGTH

MINI-SLID	THIRD ANGLE	THIS DRAWING CONTAINS CONFIDENTIAL AND PROPRIETARY INFORMATION WHICH IS THE PROPERTY OF OMNETICS CONNECTOR CORP. THIS DOCUMENT MAY NOT, IN WHOLE OR IN PART, BE DUPLICATED, OR DISCLOSED FOR ANY PURPOSE, WITHOUT WRITTEN PERMISSION FROM OMNETICS CONNECTOR CORP.	DATE: 01-28-08	TITLE: (51) SOCKET FEMALE LATCHING Bi-Lobe® CONNECTOR	CAGE CODE 61873 DWG NO. A29050-051	
	-TOLERANCES-					
	UNLESS OTHERWISE NOTED					
	DIMENSIONS IN INCHES					
2 P L D E C 2 .01	DFTM. JPF	DATE	DATE	DATE	SHEET 1 OF 1	
3 P L D E C 2 .005	CHK'D.	DATE	DATE	DATE		REV
4 P L D E C 1 .0005	APP'D.	DATE	DATE	DATE		B
ANGLES ± 1°					SCALE: 2:1	

**OMNETICS**  
CONNECTOR CORPORATION  
7260 COMMERCE CIRCLE EAST  
MINNEAPOLIS, MN 55432  
WWW.OMNETICS.COM