



MADE  
IN THE **USA**

### Alternative Uses:

- Urine Collection Container (Hat) and Standard Urinal (below left)
- Oversized Bedpan and Standard Urinal (below right)



### Product Description:

- Bedpan/Urinal Dispenser
- Holds standard size and most bariatric bedpans, fracture pans, urinals, and specimen collection containers (hats)
- Keyholes for wall mounting
- Quartz Beige Powder-Coated Steel

### Primary Area for Product Usage:

- All restrooms in patient care areas

### Dispenses:

- One bedpan up to 12.33"W x 12.00"H x 4.14"D (31.3 cm x 30.5 cm x 10.5 cm)
- Up to two urinals with handle sizes up to 3.35" x 1.50" (8.5 cm x 3.8 cm)

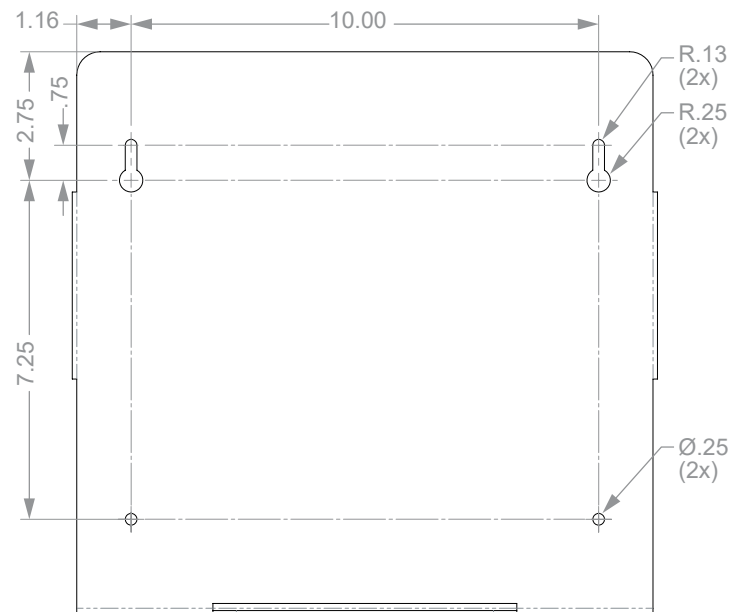
### Package Specifications:

- Package Quantity: 4 per case
- 21"L x 17"W x 13"H (53.3 cm x 43.2 cm x 33.0 cm)
- 17.0 lbs (7.7 kg) - approximated

### Product Specifications (overall external dimensions):

- 12.33"W x 12.00"H x 4.66"D (31.3 cm x 30.5 cm x 11.8 cm)
- 3.6 lbs (1.6 kg) - approximated

### Mounting Specifications:

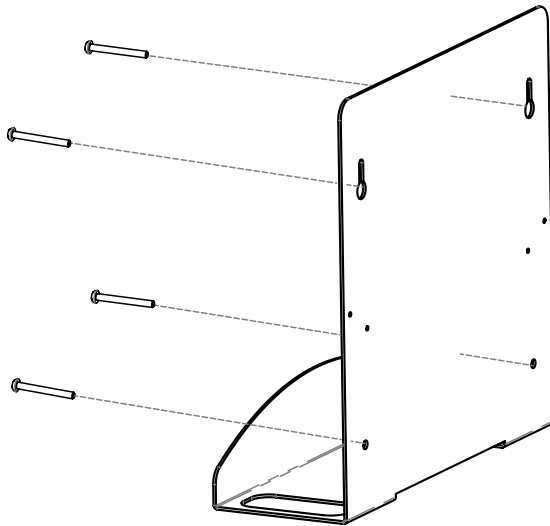




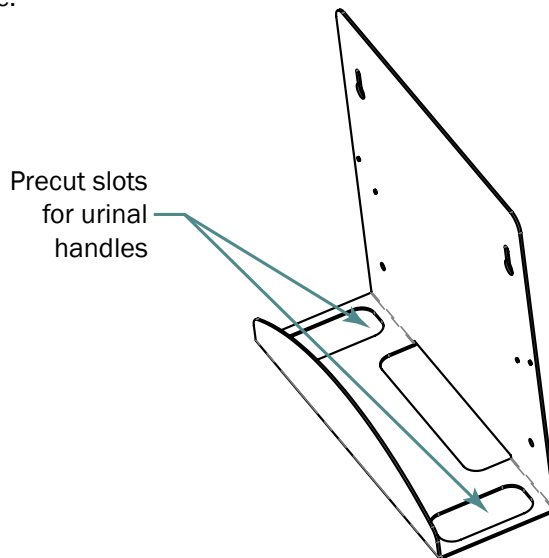
## Installation

Always mount dispensers securely *prior* to loading with product.

- Mount securely to a wall with screws approved and supplied by building maintenance.



- Hang up to two urinals by their handles in the holes on opposite sides of the dispenser base.



### Parts included:

- Dispenser

### Tools Required:

- No tools required to assemble dispenser

## Care and Construction

Powder-Coated Steel

### Material Characteristics

#### Designed for Long-Term Use

Our steel dispensers and stands are coated with polyester powders which makes them highly resistant to corrosion.

Powder-coated steel is ideal for dispensers used in a healthcare or an industrial setting because it is impact resistant and is not effected by extremes in temperature.

Dispensers and stands made of powder-coated steel are both attractive and functional, providing years of service.

### Care and Cleaning

For best results, clean by washing the surface with a diluted solution of a mild, non-abrasive detergent in cold or warm water and a non-abrasive cloth. Standard hospital cleaning supplies can be used.

Dry with a soft cloth. Do not use any solvent-based materials, abrasives (e.g. Scotch-brite, steel wool), or apply excessive force during cleaning.